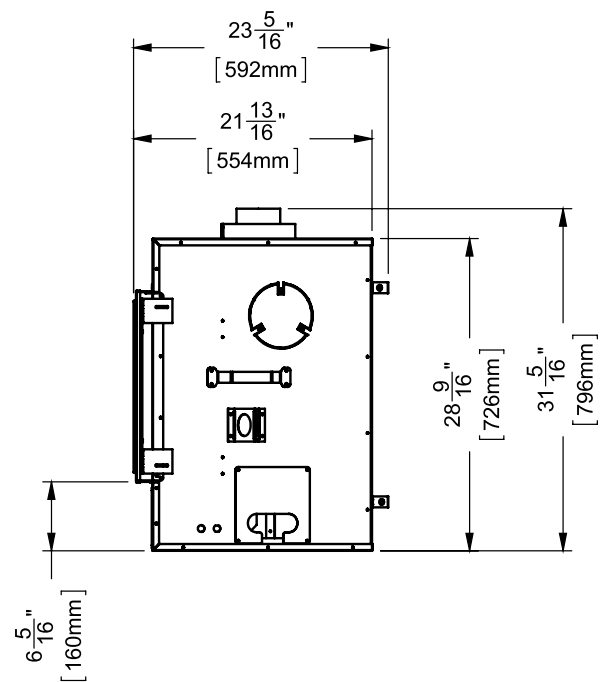
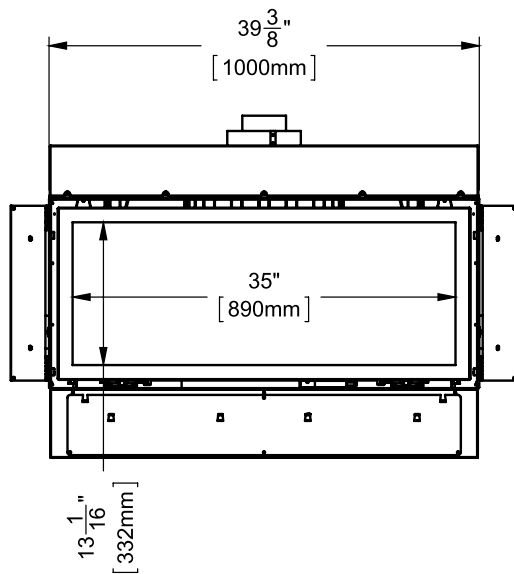
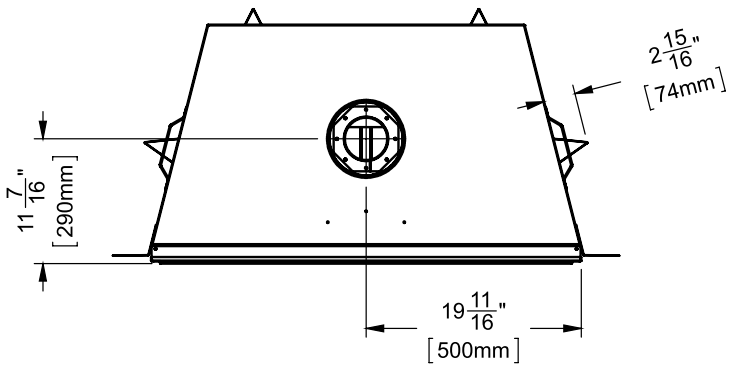


## U900E Gas Fireplace

Model	U900E-NG	U900E-LP
Fuel Type	Natural Gas	Propane
Minimum Supply Pressure	5" W.C. (1.25 kPa)	11" W.C. (2.73 kPa)
Manifold Pressure - High	3.5" W.C. (0.87 kPa)	10" W.C. (2.48 kPa)
Manifold Pressure - Low	1.6" W.C. (0.41 kPa)	6.4" W.C. (1.59 kPa)
Orifice Size -Altitude 0-4500 ft.	#35 DMS	#52 DMS
Minimum Input Altitude 0-4500 ft. (0-1372m)	23,500 BTU/h (6.89 kW)	25,000 BTU/h (7.33 kW)
Maximum Input Altitude 0-4500 ft. (0-1372m)	34,000 BTU/h (9.96 kW)	31,500 BTU/h (9.23 kW)
Vent Sizing	4" Inner / 6-5/8" Outer	4" Inner / 6-5/8" Outer



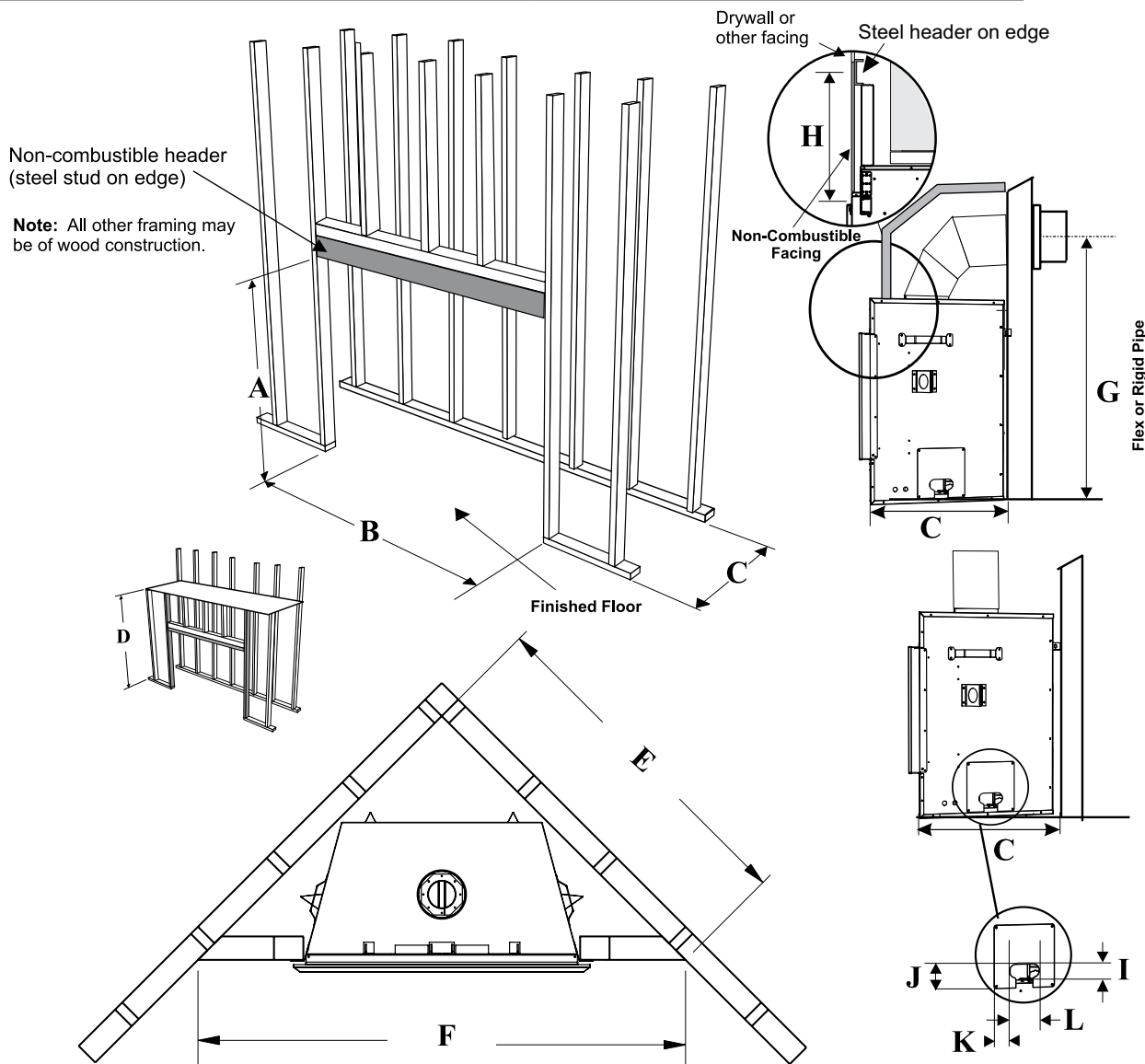
Approved Venting Systems	
Flex Vent Systems:	FPI AstroCap™ Flex Vent
Rigid Pipe Vent Systems:	Simpson Direct Vent Pro® Selkirk Direct-Temp™ American Metal Products® Metal-Fab® Sure Seal Security Secure-vent® ICC Excel



## FRAMING DIMENSIONS

Framing Dimensions	Description	U900E
A	Framing Height	42-1/4" (1073mm)
B	Framing Width	45" (1143mm)
C*	Framing Depth	22-3/4" (578mm)
D	Minimum Height to Combustibles	52-1/4" (1327mm)
E	Corner Facing Wall Depth	51-1/2" (1308mm)
F	Corner Facing Wall Width	72-1/2"(1842mm)
G	Vent Centerline Height	39" (991mm)
H	Non-combustible facing height	20" (508mm)
I	Gas Connection Opening Height	1-11/16" (43mm)
J	Gas Connection Height	2-11/16" (67mm)
K	Gas Connection Inset	1-1/8" (29mm)
L	Gas Connection Opening Width	4-11/16" (119mm)

\* Framing depth measurement is noted with the nailing strips set as far forward on the firebox as possible.  
 The nailing strips can be adjusted back up to 1-1/2" (38mm) to allow for varying thicknesses in non-combustible material & wall finishes.  
 The non combustible board is supplied to meet the requirements for this appliance. See non combustible section in this manual for details.



## CLEARANCES

The clearances listed below are Minimum distances unless otherwise stated:

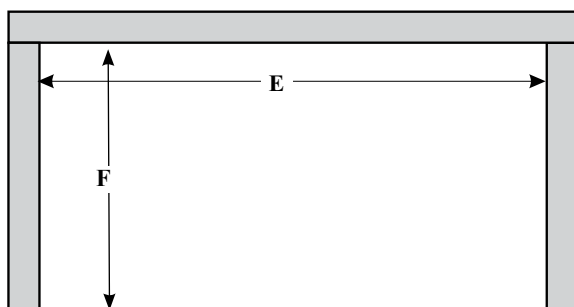
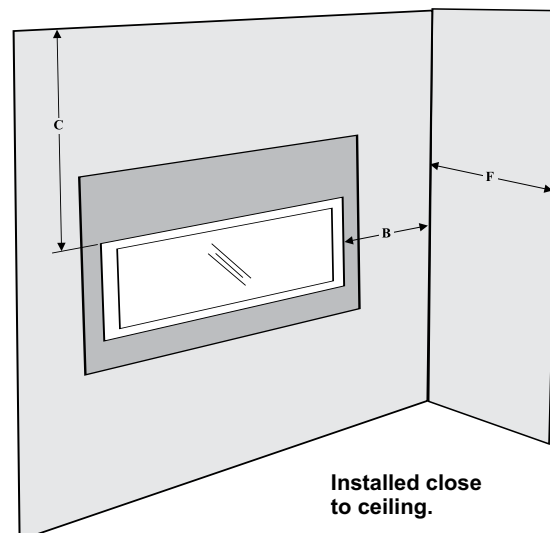
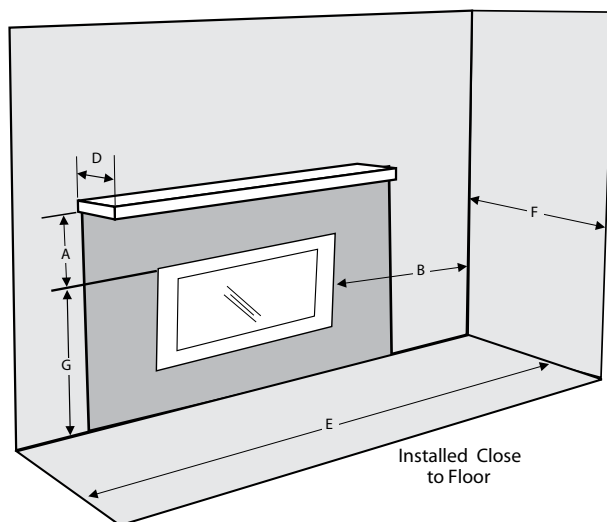
A major cause of chimney related fires is failure to maintain required clearances (air space) to combustible materials. It is of the greatest importance that this fireplace and vent system be installed only in accordance with these instructions.

Clearance:	Dimension	Measured From:
<b>A: Mantel Height (min.)</b>	20" (508mm)	Top of Fireplace Opening
<b>B: Sidewall (on one side)</b>	8" (203mm)	Side of Fireplace Opening
<b>C: Ceiling (room and/or alcove)</b>	48" (1219mm)	Top of Fireplace Opening
<b>D: Mantel Depth (max.)</b>	12" (305mm)	29" Above Fireplace Opening
<b>E: Alcove Width</b>	84" (2134mm)	Sidewall to Sidewall (Minimum)
<b>F: Alcove Depth</b>	36" (914mm)	Front to Back Wall (Maximum)
<b>G: From Floor</b>	24" (610mm)	Top of Fireplace Opening
<b>Note:</b>	0"	No hearth required

Flue Pipe Clearances to Combustibles	
Horizontal - Top	3"
Horizontal - Side	2"
Horizontal - Bottom	2"
Vertical	2"
Passing through wall/floor/ceiling - when firestop is used.	1-1/2"



The **HeatWave** Duct Kit has different clearance and framing requirements, check the **HeatWave** manual for details.



### Caution Requirements

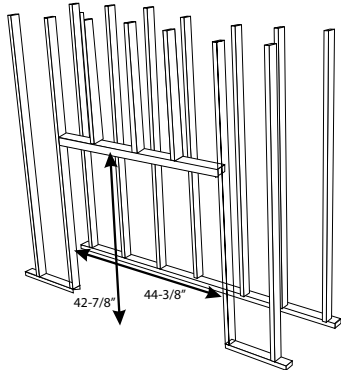
The top, back and sides of the fireplace are defined by standoffs. The metal ends of the standoff may **NOT** be recessed into combustible construction.

### WARNING

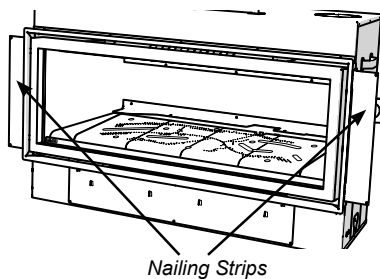
**Fire hazard is an extreme risk** if these clearances (air space) to combustible materials are not adhered to. It is of greatest importance that this fireplace and vent system be installed only in accordance with these instructions.

## OPTIONAL FRAMING KIT

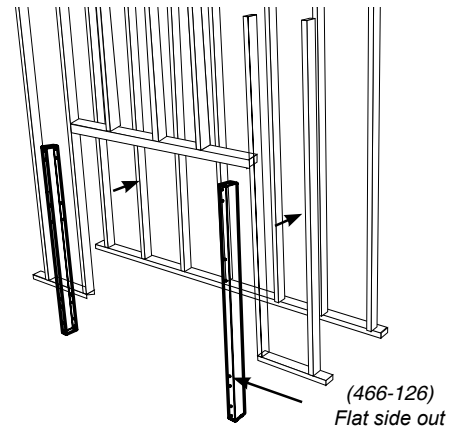
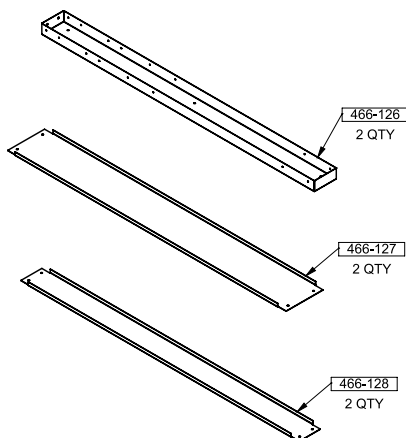
1. Construct the wood framing, ensure inside dimensions are 42-7/8" H x 44-3/8" W as shown below.



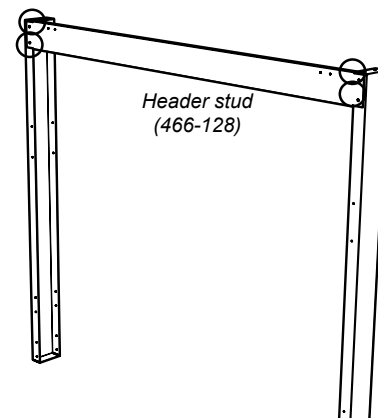
2. Bend both side nailing strips from the side of the appliance until positioned as shown below. Determine the overall combined thickness of the non-combustible board + finished material being used. The nailing strips can be adjusted up to 1-1/2".



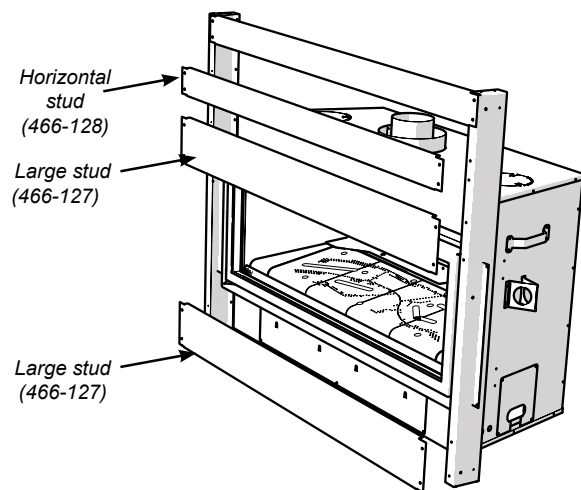
3. Adjust the nailing strips by loosening 2 screws on each nailing strip - adjust and retighten screws.
  4. Attach both vertical studs (466-126) to the vertical wood studs and secure using 6 screws (2 at bottom, 2 at top and 2 on sides) as shown.
- NOTE:** Ensure the flat side of the steel stud is facing the wood framing.



5. Secure horizontal steel header stud (466-128) with 2 screws per side as per diagram.



6. Slide the unit into position. Hook up gas, venting, electrical and conversion kit (if purchased) prior to installing the remaining steel studs.
7. Secure the upper horizontal steel stud (466-128) as shown with 2 screws per side.
8. Secure the 2 remaining large horizontal studs (466-127) with 2 screws per side as shown.



## VENTING INTRODUCTION

The U900E uses the "balanced flue" technology Co-Axial system. The inner liner vents products of combustion to the outside while the outer liner draws outside combustion air into the combustion chamber thereby eliminating the need to use heated room air for combustion and losing warm room air up the chimney.

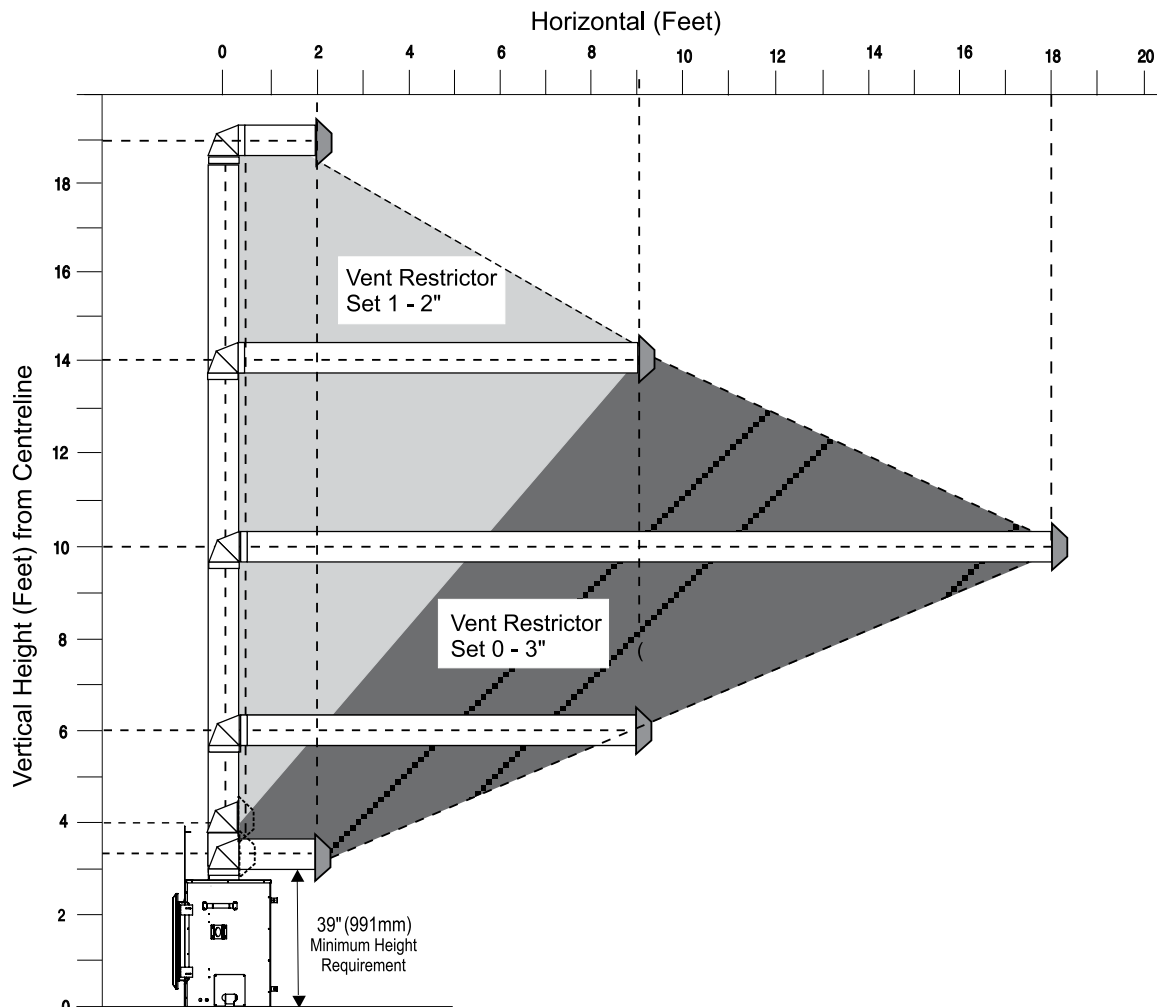
**Note:** These flue pipes must not be connected to any other appliance.

The gas appliance and vent system must be vented directly to the outside of the building, and never be attached to a chimney serving a separate solid fuel or gas burning appliance. Each direct vent gas appliance must use it's own separate vent system. Common vent systems are prohibited.

## VENTING ARRANGEMENT FOR HORIZONTAL TERMINATIONS

The diagram shows all allowable combinations of vertical runs with horizontal terminations, using one 90° (two 45° elbows equal one 90° elbow).

**Note:** Must use optional rigid pipe adapter (Part# 510-994, when using Rigid Pipe Venting Systems).



### VENT RESTRICTOR SETTING:

**Vent restrictor factory set at Set 0.**

Refer to the "Vent Restrictor Position" section for details on how to change the vent restrictor from the factory setting of Set 0 to Set 1 if required.

**Note:** For horizontal terminations the Regency Direct Vent Flex System may be used for installations with a maximum continuous vent length of up to 10 feet. If longer runs are required, rigid pipe must be used.

- Maintain clearances to combustibles as listed in "Clearances" section
- Horizontal vent must be supported every 3 feet.
- Firestops are required at each floor level and whenever passing through a wall.
- A vent guard should be used whenever the termination is lower than the specified minimum or as per local codes.

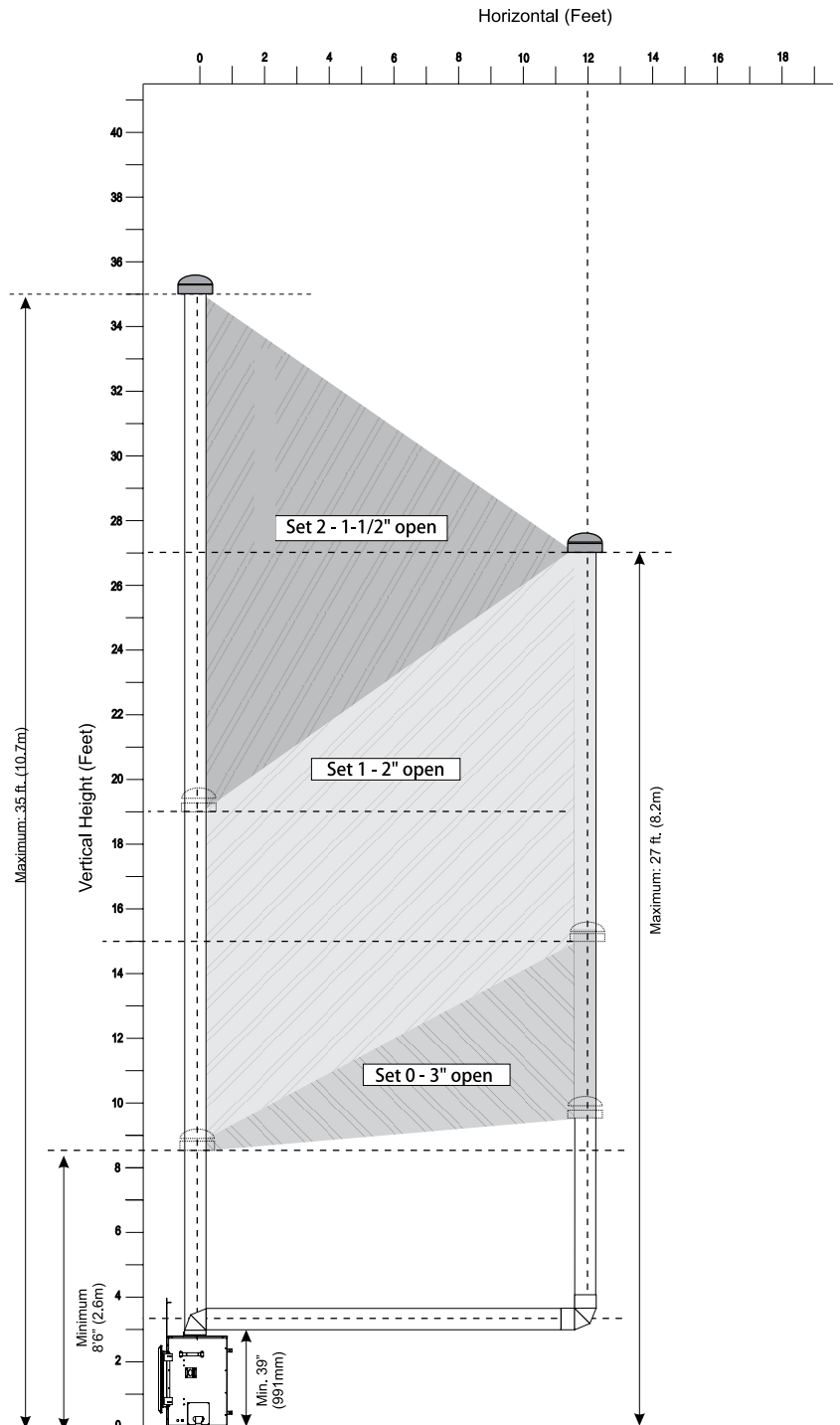
## VENTING ARRANGEMENT FOR VERTICAL TERMINATIONS

### Vertical Venting with One (1. 90° Elbows (1 - 90° = 2 - 45°) with straight Vertical and or a maximum offset using 2 - 90° elbows

The shaded area in the diagram shows all allowable combinations of straight vertical and offset to vertical terminations, using one 90° elbow, with **Rigid Pipe Venting Systems**.

Two 45° elbows equal to one 90° elbow.

- Vent must be supported at offsets.
- Minimum distance between elbows is 1 ft. (305mm).
- Maintain clearances to combustibles as listed in the "Clearances" section.
- Horizontal vent must be supported every 3 feet.
- Firestops are required at each floor level and whenever passing through a wall.
- Must use optional rigid pipe adaptor (Part# 510-994. when using rigid pipe vent systems.
- Refer to the "Vent Restrictor Position" section for details on how to change the vent restrictor from the factory setting of Set 0 to Set 1 or Set 2 if required.



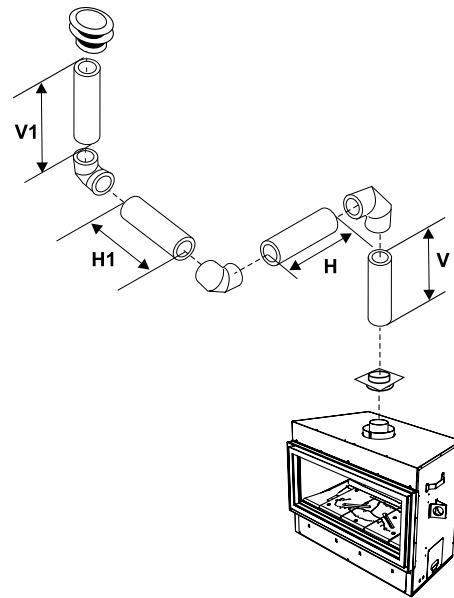
### Vertical Venting with Three (3) 90° Elbows

One 90° elbow = Two 45° elbows.

Option	V	H + H1	V + V1
A)	0' Min.	2' Max.	2' Min.
B)	1' Min.	2' Max.	3' Min.
C)	2' Min.	3' Max.	4' Min.
D)	3' Min.	4' Max.	6' Min.
E)	4' Min.	5' Max.	7' Min.
F)	5' Min.	6' Max.	8' Min.
G)	6' Min.	7' Max.	9' Min.
H)	7' Min.	8' Max.	10' Min.
Restrictor Set 0 - 3" Factory Setting			

With these options, max. total pipe length is 30 feet with min. of 10 feet total vertical and max. 8 feet total horizontal.

**Please note min. 1 foot between 90° elbows is required.**



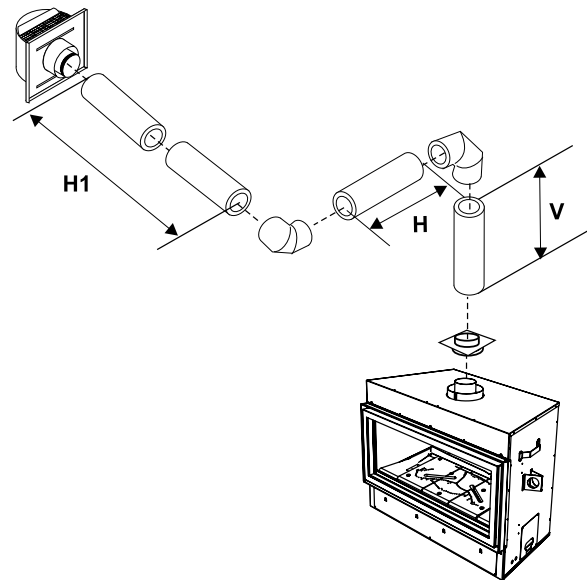
### Horizontal Venting with Two (2) 90° Elbows

One 90° elbow = Two 45° elbows.

Option	V	H + H1
A)	1' Min.	3' Max.
B)	2' Min.	4' Max.
C)	3' Min.	5' Max.
D)	4' Min.	6' Max.
E)	5' Min.	7' Max.
F)	6' Min.	8' Max.
Restrictor Set 0 - 3" Factory Setting		

With these options, maximum total pipe length is 30 feet with minimum of 6 feet total vertical and maximum 8 feet total horizontal.

**Please note minimum 1 foot between 90° elbows is required.**



### Horizontal Venting with Three (3) 90° Elbows

One 90° elbow = Two 45° elbows.

Option	V	H	V + V1	H + H1
A)	0' Min.	1' Max.	1' Min.	2' Max.
B)	1' Min.	2' Max.	3' Min.	3' Max.
C)	2' Min.	2' Max.	5' Min.	4' Max.
D)	3' Min.	2' Max.	7' Min.	5' Max.
E)	4' Min.	3' Max.	9' Min.	6' Max.
F)	5' Min.	4' Max.	10' Min.	7' Max.
G)	6' Min.	5' Max.	11' Min.	8' Max.
H)	7' Min.	6' Max.	12' Min.	9' Max.
Restrictor Set 0 - 3" Factory Setting				

With these options, max. total pipe length is 30 feet with min. of 12 feet total vertical and max. 9 feet total horizontal.

**Please note min. 1 foot between 90° elbows is required.**

