

PRODUCT SPECIFICATIONS

# KHLDV600 Marquis Direct Vent Fireplace System



**GLASS VIEWING AREA**

42"W x 36"H (1512 Square Inches)

**TECHNICAL INFORMATION**

Max. Btu Input: 60,000 BTU/HR NG; 57,000 BTU/HR LP

Ignition System: Signature Command™ System

Gas Type: Natural or LP

Flue Type: Simpson Dura-Vent, Selkirk Metalbestos, MetalFab

Termination: Top vent

Clearance to Flue for Interior: 3" Top 1" Bottom and Sides

Clearance to Flue for Outside Wall: 1"

Clearance to Fireplace: 1"

Minimum Vent Height Before Elbow: 24"

CSA Design Certified

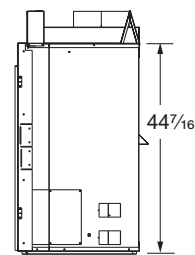
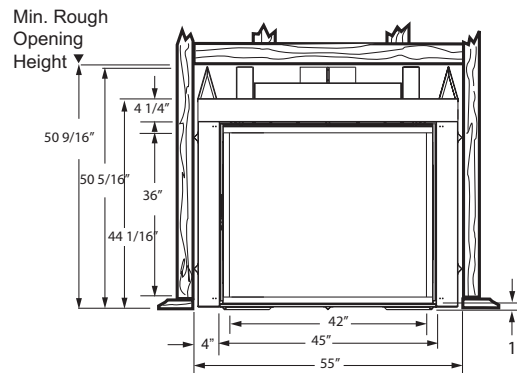
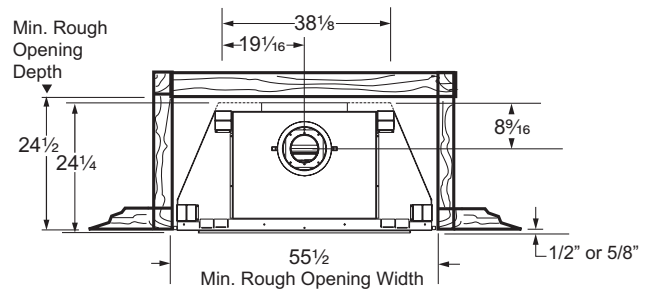
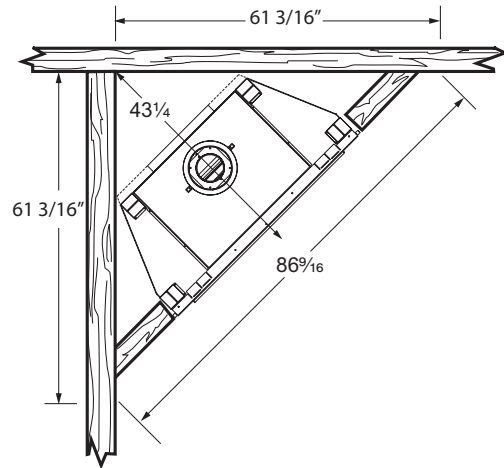
**FIELD INSTALLED ACCESSORIES**

Signature Command Dual Forced with Blower: BLOTKHLSC

Firebrick (required): Tavern Brown, Cottage Red or Olde English

Andirons (FAI16)

Field Conversion Kits



A Brand of Monessen Hearth Systems Co.  
149 Cleveland Drive, Paris, Kentucky 40361  
[www.majesticproducts.com](http://www.majesticproducts.com)



To avoid personal injury or property damage, the product described by this brochure must be installed, operated and maintained in strict compliance with the instructions packaged with the product and all applicable building or fire codes. Contact local building or fire officials about restrictions and installation inspection requirements. All photographs and drawings on this brochure are for illustrative purposes only and are not intended for, nor should they be used as a substitute for the instructions packaged with the unit. Appearance and specifications of the product are subject to change without notice. 06/10 Rev.1