



Bellavista® B36XTCE Gas Fireplace

Owners & Installation Manual

MODEL: B36XTCE-10
Medium DV Gas Fireplace



Bellavista
B36XTCE Video

www.regency-fire.com

▲ WARNING

FIRE OR EXPLOSION HAZARD

Failure to follow safety warnings exactly could result in serious injury, death, or property damage.

- Do not store or use gasoline or other flammable vapors and liquids in the vicinity of this or any other appliance.
- **WHAT TO DO IF YOU SMELL GAS**
 - Do not try to light any appliance.
 - Do not touch any electrical switch: do not use any phone in your building. Leave the building immediately.
 - Immediately call your gas supplier from a neighbour's phone. Follow the gas supplier's instructions.
 - If you cannot reach your gas supplier, call the fire department.
- Installation and service must be performed by a qualified installer, service agency or the gas supplier.

Tested by:




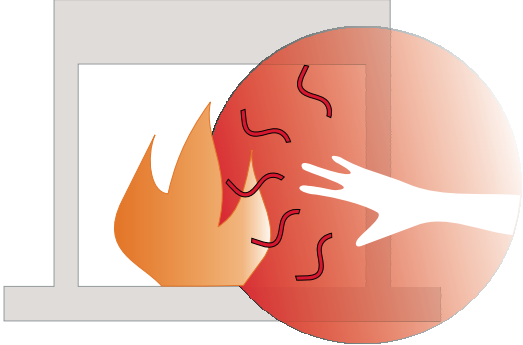
Installer: Please complete the details on the back cover and leave this manual with the homeowner.

Homeowner: Please keep these instructions for future reference.

To the New Owner:

Congratulations!

You are the owner of a state-of-the-art Gas Fireplace by REGENCY®. The Bellavista™ B36XTCE has been designed to provide you with all the warmth and charm of a wood fireplace at the flick of a switch. The Bellavista™ B36XTCE has been approved by Warnock Hersey/Intertek for both safety and efficiency. As it also bears our own mark, it promises to provide you with economy, comfort and security for many trouble free years to follow. Please take a moment now to acquaint yourself with these instructions and the many features of your Regency® Fireplace.

 <h1 style="margin: 0;">DANGER</h1>	
	<p>HOT GLASS WILL CAUSE BURNS</p> <p>DO NOT TOUCH GLASS UNTIL COOLED</p> <p>NEVER ALLOW CHILDREN TO TOUCH GLASS</p>
<p>A barrier designed to reduce the risk of burns from the hot viewing glass is provided with this appliance and shall be installed for the protection of children and other at risk individuals.</p>	
<p>CAUTION: HOT WHILE IN OPERATION. DO NOT TOUCH. SEVERE BURNS MAY RESULT. KEEP CHILDREN, CLOTHING, FURNITURE, GASOLINE, AND ANY LIQUIDS WITH FLAMMABLE VAPOURS AWAY.</p> <p>KEEP BURNER AND CONTROL COMPARTMENT CLEAN. SEE INSTALLATION AND OPERATING INSTRUCTIONS ACCOMPANYING APPLIANCE.</p>	
<small>919-358</small>	

MANUFACTURED MOBILE HOME REQUIREMENTS INFORMATION FOR MOBILE/MANUFACTURED HOMES AFTER FIRST SALE

This Regency® product has been tested and listed by Warnock Hersey as a Direct Vent Wall Furnace to the following standards: VENTED GAS FIREPLACE HEATERS ANSI Z21.88-2014 / CSA 2.33-2014 and GAS-FIRED APPLIANCES FOR USE AT HIGH ALTITUDES CAN / CGA 2.17-M91.

This Direct Vent System Appliance must be installed in accordance with the manufacturer's installation instructions and the Manufactured Home Construction and Safety Standard, Title 24 CFR, Part 3280, or the current Standard of Fire Safety Criteria for Manufactured Home Installations, Sites, and Communities ANSI/NFPA 501A, and with CAN/CSA Z240-MH Mobile Home Standard in Canada.

This appliance installation must comply with the manufacturer's installation instructions and local codes, if any. In the absence of local codes follow the current National Fuel Gas Code, ANSI Z223.1 and the current National Electrical Code ANSI/NFPA 70 in the U.S.A., and the current CAN/CGA B149 Gas Installation Code and the current Canadian Electrical Code CSA C22.1 in Canada.

This appliance comes equipped with a dedicated #8 Ground Lug for attachment of the ground wire to the steel chassis as applicable to local codes.

The appliance, when installed, must be electrically grounded in accordance with local codes or, in the absence of local codes, with the National Electrical Code, ANSI/NFPA 70, or the Canadian Electrical Code, CSA C22.1.

This appliance may only be installed in an aftermarket permanently located, manufactured (U.S.A only) or mobile home, where not prohibited by local codes.

This appliance can only be used with the type of gas indicated on the rating plate. This appliance is not convertible for use with other gases.

Ensure that structural members are not cut or weakened during installation.



NATIONAL FIREPLACE INSTITUTE

We recommend that our products be installed and serviced by professionals who are certified in the U.S. by the National Fireplace Institute® (NFI) or in Canada by Wood Energy Technical Training (WETT).



CERTIFIED
www.nficertified.org



*Bellavista
B36XTCE*



*Bellavista B36XT
Gas Fireplace Benefits*

4 | table of contents

Copy of Safety Decal	5
MA Code - CO Detector	6
Unit Dimensions	7

Installation

Important Message	8
Before You Start.....	8
General Safety Information.....	8
Installation Checklist.....	9
Locating Your Gas Fireplace.....	9
Clearances	10
Mantel Clearances.....	11
Mantel Leg Clearances.....	12
Non- Combustible Requirements:.....	12
Framing	13
Framing & Finishing.....	14
Tile Finish	14
Clean Finish.....	14
Unit Assembly Prior to Installation.....	16
Top Standoff Assembly	16
Nailing strips	16
Conversion to top vent.....	17
Vent Restrictor, Baffle & Heat Deflector Installation	19
Venting Introduction.....	19
Exterior Vent Termination Requirements	20
Top vent reducer installation—from 5" x 8" to 4" x 6-5/8" Venting	22
Direct Vent System (Flex)	22
Vertical Termination 4"x6-7/8" venting (part #946-755)23	
Vertical flue extension kit (part #946-756)	24
Ceiling Firestop / firestop spacer (part #946-757)	24
Venting Cross Reference Chart.....	25
Venting Arrangements for horizontal terminations 29	
Flex Vent or RIGID PIPE 5" x 8"	29
Horizontal Terminations	30
Flex Vent 5" x 8"	30
Rigid pipe 5" x 8"	31
AstroCap XL & Rigid rear vent kit for corner installations	32
Rigid pipe 5" x 8"	32
Venting arrangements For Horizontal Terminations33	
Rigid pipe 4" x 6-5/8"	33
Horizontal or vertical terminations	34
Rigid pipe 4" x 6-5/8"	34
Horizontal terminations.....	35
Two (2) 90° Elbows (Rigid Pipe 4" x 6 - 5/8").....	35
Horizontal terminations.....	35
Three (3) 90° Elbows (Rigid Pipe 4" x 6 - 5/8").....	35
venting arrangements For Vertical Terminations..	36
Rigid pipe 4" x 6-5/8"	36
Vertical terminations	37

Three (3) 90° Elbows (Rigid Pipe 4" x 6 - 5/8").....	37
venting arrangements	38
With Co-linear Flex System	38
Vertical Terminations	39
Co-linear Flex System Into Masonry Fireplaces .	39
Unit Installation with Horizontal Termination	40
4" x 6-5/8" or 5" x 8" venting.....	40
Unit Installation with Horizontal Termination	41
5" x 8" venting.....	41
Unit installation with Vertical Termination.....	42
4" x 6-5/8" venting	42
Gas Line Installation	42
Pilot Adjustment.....	43
High Elevation.....	43
885 S.I.T. Valve Description	43
Gas Pipe Pressure Testing	43
Conversion from NG to LP.....	44
Brick panel installation.....	45
Optional black enamel panel installation	46
Log set installation.....	47
Aeration Adjustment	50
Wiring Diagram.....	50
Installing the Optional Fan	51
Wiring diagram with optional fan	52
Optional wall thermostat installation	53
Optional accent light Installation.....	54
Safety screen removal / Installation.....	58
Flush glass door Installation.....	59

Operating Instructions

Operating Instructions	60
First Fire	60
Normal Operating Sounds of Gas Appliances.....	60
Lighting Procedure	61
Shutdown Procedure	61
Copy of Lighting Plate Instructions	62

Maintenance Instructions

Maintenance Instructions	63
Log Replacement	63
Bulb Replacement	63
Removing Valve	64
Installing Valve	64
Main Assembly	65
Burner Assembly	67



Warranty

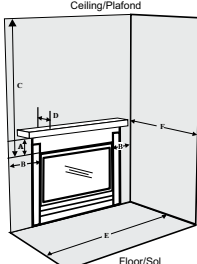
Warranty	68
----------------	----

This is a copy of the label that accompanies each Bellavista™ B36XTCE Direct Vent Gas Fireplace. We have printed a copy of the contents here for your review. **NOTE:** Regency® units are constantly being improved. Check the label on the unit and if there is a difference, the label on the unit is the correct one.

COPY OF SAFETY DECAL

Duplicate S/N
410

	<p>Listed: VENTED GAS FIREPLACE HEATER / FOYER AU GAZ À ÉVACUATION DO NOT REMOVE THIS LABEL / NE PAS ENLEVER CETTE ÉTIQUETTE</p> <p>Certified for/Certifiée pour: CANADA and U.S.A.</p> <p>Tested to: CAN/CGA-2.17-M91(R2009)</p> <p>Conforms to: ANSI Z21.88-2014</p> <p>Certified to: CSA 2.33-2014</p> <p>MAY BE INSTALLED IN MANUFACTURED (MOBILE) HOMES AFTER FIRST SALE.</p>	
		Serial No./ No de série 410

<p>NATURAL GAS: Model B36XTCE-NG10</p> <table border="0" style="width: 100%;"> <tr> <td style="width: 30%;">Minimum supply pressure</td> <td style="width: 10%;">5.0"</td> <td style="width: 10%;">WC/C.E.</td> <td style="width: 50%;">(1.25 kPa)</td> </tr> <tr> <td>Manifold pressure high</td> <td>3.5"</td> <td>WC/C.E.</td> <td>(0.87 kPa)</td> </tr> <tr> <td>Manifold pressure low</td> <td>1.6"</td> <td>WC/C.E.</td> <td>(0.40 kPa)</td> </tr> <tr> <td>Orifice size</td> <td># 35</td> <td>DMS</td> <td></td> </tr> <tr> <td>Minimum input</td> <td>21,500</td> <td>Btu/h</td> <td>(6.3 kW)</td> </tr> <tr> <td>Maximum input</td> <td>31,000</td> <td>Btu/h</td> <td>(9.09 kW)</td> </tr> <tr> <td>Altitude</td> <td>0-4500</td> <td>ft/pi</td> <td>(0-1372 m)</td> </tr> </table>	Minimum supply pressure	5.0"	WC/C.E.	(1.25 kPa)	Manifold pressure high	3.5"	WC/C.E.	(0.87 kPa)	Manifold pressure low	1.6"	WC/C.E.	(0.40 kPa)	Orifice size	# 35	DMS		Minimum input	21,500	Btu/h	(6.3 kW)	Maximum input	31,000	Btu/h	(9.09 kW)	Altitude	0-4500	ft/pi	(0-1372 m)	<p>APPAREIL FONCTIONNANT AU GAZ NATUREL Modèle B36XTCE-NG10</p> <table border="0" style="width: 100%;"> <tr> <td style="width: 30%;">Pression d'alimentation minimum</td> <td style="width: 10%;">Pression manifold - haute</td> </tr> <tr> <td>Pression manifold - basse</td> <td>Taille de l'orifice</td> </tr> <tr> <td>Débit calorifique minimum</td> <td>Débit calorifique maximum selon l'altitude</td> </tr> </table>	Pression d'alimentation minimum	Pression manifold - haute	Pression manifold - basse	Taille de l'orifice	Débit calorifique minimum	Débit calorifique maximum selon l'altitude	<p>Minimum Clearances to Combustibles / Dégagements minimaux des matériaux combustibles</p>  <p>0" Clearance to combustibles from Dégagement de 0 po des matériaux combustibles à partir de: Sides, bottom and rear of unit *Top - 9-1/4" (235mm) non-combustible material required above unit.</p> <p>Mantel Clearances from Fireplace Opening/Dégagements du manteau à partir de l'ouverture du foyer : (A) Min. 21-1/4" (540mm)</p> <p>Side Wall Clearance from Fireplace Opening/Dégagement du mur latéral à l'ouverture du foyer B) Min. 12" (305mm)(on one side)</p> <p>Ceiling from Top of Fireplace Opening/du plafond au dessus de l'ouverture du foyer : C) 39" (991mm)</p> <p>Mantel Depth/Prof. manteau : D) Max. 12" (304mm)</p> <p>Alcove Clearances/Dégagements alcôve : E) Min. Width 84" (2134mm), F) Max. Depth 36" (914mm)</p> <p style="color: red; font-weight: bold; text-align: center;">DOOR SEAL: Please check that the door is properly sealed</p> <p style="font-size: 0.8em;">(See Instruction Manual for detailed instructions)</p> <p style="text-align: right; font-size: 0.8em;">Made in Canada/ Fabriqué au Canada</p>
Minimum supply pressure	5.0"	WC/C.E.	(1.25 kPa)																																	
Manifold pressure high	3.5"	WC/C.E.	(0.87 kPa)																																	
Manifold pressure low	1.6"	WC/C.E.	(0.40 kPa)																																	
Orifice size	# 35	DMS																																		
Minimum input	21,500	Btu/h	(6.3 kW)																																	
Maximum input	31,000	Btu/h	(9.09 kW)																																	
Altitude	0-4500	ft/pi	(0-1372 m)																																	
Pression d'alimentation minimum	Pression manifold - haute																																			
Pression manifold - basse	Taille de l'orifice																																			
Débit calorifique minimum	Débit calorifique maximum selon l'altitude																																			
<p>PROPANE GAS: Model B36XTCE-LP10</p> <table border="0" style="width: 100%;"> <tr> <td style="width: 30%;">Minimum supply pressure</td> <td style="width: 10%;">11"</td> <td style="width: 10%;">WC/C.E.</td> <td style="width: 50%;">(2.74 kPa)</td> </tr> <tr> <td>Manifold pressure high</td> <td>10"</td> <td>WC/C.E.</td> <td>(2.49 kPa)</td> </tr> <tr> <td>Manifold pressure low</td> <td>6.4"</td> <td>WC/C.E.</td> <td>(1.60 kPa)</td> </tr> <tr> <td>Orifice size</td> <td># 51</td> <td>DMS</td> <td></td> </tr> <tr> <td>Minimum input</td> <td>25,000</td> <td>Btu/h</td> <td>(7.33 kW)</td> </tr> <tr> <td>Maximum input</td> <td>31,000</td> <td>Btu/h</td> <td>(9.09 kW)</td> </tr> <tr> <td>Altitude</td> <td>0-4500</td> <td>ft/pi</td> <td>(0-1372 m)</td> </tr> </table>	Minimum supply pressure	11"	WC/C.E.	(2.74 kPa)	Manifold pressure high	10"	WC/C.E.	(2.49 kPa)	Manifold pressure low	6.4"	WC/C.E.	(1.60 kPa)	Orifice size	# 51	DMS		Minimum input	25,000	Btu/h	(7.33 kW)	Maximum input	31,000	Btu/h	(9.09 kW)	Altitude	0-4500	ft/pi	(0-1372 m)	<p>APPAREIL FONCTIONNANT AU PROPANE Modèle B36XTCE-LP10</p> <table border="0" style="width: 100%;"> <tr> <td style="width: 30%;">Pression d'alimentation minimum</td> <td style="width: 10%;">Pression manifold - haute</td> </tr> <tr> <td>Pression manifold - basse</td> <td>Taille de l'orifice</td> </tr> <tr> <td>Débit calorifique minimum</td> <td>Débit calorifique maximum selon l'altitude</td> </tr> </table>	Pression d'alimentation minimum	Pression manifold - haute	Pression manifold - basse	Taille de l'orifice	Débit calorifique minimum	Débit calorifique maximum selon l'altitude	
Minimum supply pressure	11"	WC/C.E.	(2.74 kPa)																																	
Manifold pressure high	10"	WC/C.E.	(2.49 kPa)																																	
Manifold pressure low	6.4"	WC/C.E.	(1.60 kPa)																																	
Orifice size	# 51	DMS																																		
Minimum input	25,000	Btu/h	(7.33 kW)																																	
Maximum input	31,000	Btu/h	(9.09 kW)																																	
Altitude	0-4500	ft/pi	(0-1372 m)																																	
Pression d'alimentation minimum	Pression manifold - haute																																			
Pression manifold - basse	Taille de l'orifice																																			
Débit calorifique minimum	Débit calorifique maximum selon l'altitude																																			

This appliance must be installed in accordance with local codes, if any; if none, follow the National Fuel Gas Code, ANSI Z223.1, or Natural Gas and Propane Installation Code, CSA B149.1.
 This appliance must be installed in accordance with the Standard CAN/CSA Z240 MH, Mobile Housing, in Canada, or with the Manufactured Home Construction and Safety Standard, Title 24 CFR, Part 3280, in the United States, or when such a standard is not applicable, ANSI/NCSBSCS A225.1/NFPA 501A, Manufactured Home Installations Standard or ANSI A119.2 ou NFPA 501C Standard for Recreational Vehicles
 This appliance is only for use with the type of gas indicated on the rating plate and may be installed in an aftermarket, permanently located, manufactured (mobile) home where not prohibited by local codes. See owner's manual for details. This appliance is not convertible for use with other gases, unless a certified kit is used. (Kit #576-972).
 Fan Part # 578-917.
 Installer l'appareil selon les codes ou règlements locaux, ou, en l'absence de tels règlements, selon les codes d'installation ANSI Z223.1, National Fuel Gas Code ou CSA-B149.1 en vigueur.
 Installer l'appareil selon la norme CAN/CSA-Z240, Série MM, Maison mobiles ou CAN/CSA-Z240 VC, Véhicules de camping, ou la norme 24 CFR Part 3280, Manufactured Home Construction and Safety Standard. Si ces normes ne sont pas pertinentes, utilisez la norme ANSI/NCSBSCS A225.1/NFPA 501A, Manufactured Home Installations Standard, ou ANSI A119.2 ou NFPA 501C Standard for Recreational Vehicles.
 Cet appareil doit être utilisé uniquement avec le type de gaz indiqué sur la plaque signalétique. Cet appareil peut être installé dans une maison préfabriquée ou mobile (É.-U. seulement) installée à demeure si les règlements locaux le permettent. Voir la notice de l'utilisateur pour plus de renseignements. Cet appareil ne peut pas être utilisé avec d'autres gaz sauf si une trousse de conversion certifiée est fournie.
This vented gas fireplace heater is not for use with air filters. Ne pas utiliser de filtre à air avec ce foyer au gaz à évacuation.
FOR USE WITH GLASS DOORS CERTIFIED WITH THE APPLIANCE ONLY. POUR UTILISATION UNIQUEMENT AVEC LES PORTES EN VERRE CERTIFIÉES AVEC L'APPAREIL.
For Use Only with Barrier (Part # 579-001) Follow installation instructions. À utiliser uniquement avec un écran de protection (pièce n° 579-001). Suivre les instructions d'installation.
 Electrical supply/Alimentation électrique 115VAC, 1.13 A, 60Hz.
NOT FOR USE WITH SOLID FUELS. / NE PAS UTILISER AVEC UN COMBUSTIBLE SOLIDE. FPI Fireplace Products International Ltd. Delta, BC, Canada

For the State of Massachusetts, installation and repair must be done by a plumber or gas fitter licensed in the Commonwealth of Massachusetts.

For the State of Massachusetts, flexible connectors shall not exceed 36 inches in length.

For the State of Massachusetts, the appliances individual manual shut-off must be a t-handle type valve.

The State of Massachusetts requires the installation of a carbon monoxide alarm in accordance with NFPA 720 and a CO alarm with battery back up in the same room where the gas appliance is installed.

Bellavista® B36XTCE-10 Gas Fireplace | 5

MA Code - CO Detector
(for the State of Massachusetts only)

5.08: **Modifications to NFPA-54, Chapter 10**

(2) Revise 10.8.3 by adding the following additional requirements:

(a) For all side wall horizontally vented gas fueled equipment installed in every dwelling, building or structure used in whole or in part for residential purposes, including those owned or operated by the Commonwealth and where the side wall exhaust vent termination is less than seven (7) feet above finished grade in the area of the venting, including but not limited to decks and porches, the following requirements shall be satisfied:

1. **INSTALLATION OF CARBON MONOXIDE DETECTORS.** At the time of installation of the side wall horizontal vented gas fueled equipment, the installing plumber or gasfitter shall observe that a hard wired carbon monoxide detector with an alarm and battery back-up is installed on the floor level where the gas equipment is to be installed. In addition, the installing plumber or gasfitter shall observe that a battery operated or hard wired carbon monoxide detector with an alarm is installed on each additional level of the dwelling, building or structure served by the side wall horizontal vented gas fueled equipment. It shall be the responsibility of the property owner to secure the services of qualified licensed professionals for the installation of hard wired carbon monoxide detectors

a. In the event that the side wall horizontally vented gas fueled equipment is installed in a crawl space or an attic, the hard wired carbon monoxide detector with alarm and battery back-up may be installed on the next adjacent floor level.

b. In the event that the requirements of this subdivision can not be met at the time of completion of installation, the owner shall have a period of thirty (30) days to comply with the above requirements; provided, however, that during said thirty (30) day period, a battery operated carbon monoxide detector with an alarm shall be installed.

2. **APPROVED CARBON MONOXIDE DETECTORS.** Each carbon monoxide detector as required in accordance with the above provisions shall comply with NFPA 720 and be ANSI/UL 2034 listed and IAS certified.

3. **SIGNAGE.** A metal or plastic identification plate shall be permanently mounted to the exterior of the building at a minimum height of eight (8) feet above grade directly in line with the exhaust vent terminal for the horizontally vented gas fueled heating appliance or equipment. The sign shall read, in print size no less than one-half (1/2) inch in size, "**GAS VENT DIRECTLY BELOW. KEEP CLEAR OF ALL OBSTRUCTIONS**".

4. **INSPECTION.** The state or local gas inspector of the side wall horizontally vented gas fueled equipment shall not approve the installation unless, upon inspection, the inspector observes carbon monoxide detectors and signage installed in accordance with the provisions of 248 CMR 5.08(2)(a)1 through 4.

(b) **EXEMPTIONS:** The following equipment is exempt from 248 CMR 5.08(2)(a)1 through 4:

1. The equipment listed in Chapter 10 entitled "Equipment Not Required To Be Vented" in the most current edition of NFPA 54 as adopted by the Board; and

2. Product Approved side wall horizontally vented gas fueled equipment installed in a room or structure separate from the dwelling, building or structure used in whole or in part for residential purposes.

(c) **MANUFACTURER REQUIREMENTS - GAS EQUIPMENT VENTING SYSTEM PROVIDED.** When the manufacturer of Product Approved side wall horizontally vented gas equipment provides a venting system design or venting system components with the equipment, the instructions provided by the manufacturer for installation of the equipment and the venting system shall include:

1. Detailed instructions for the installation of the venting system design or the venting system components; and

2. A complete parts list for the venting system design or venting system.

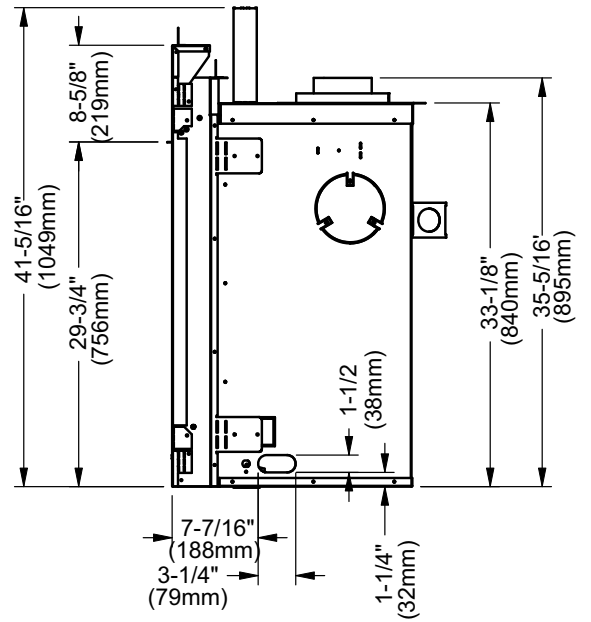
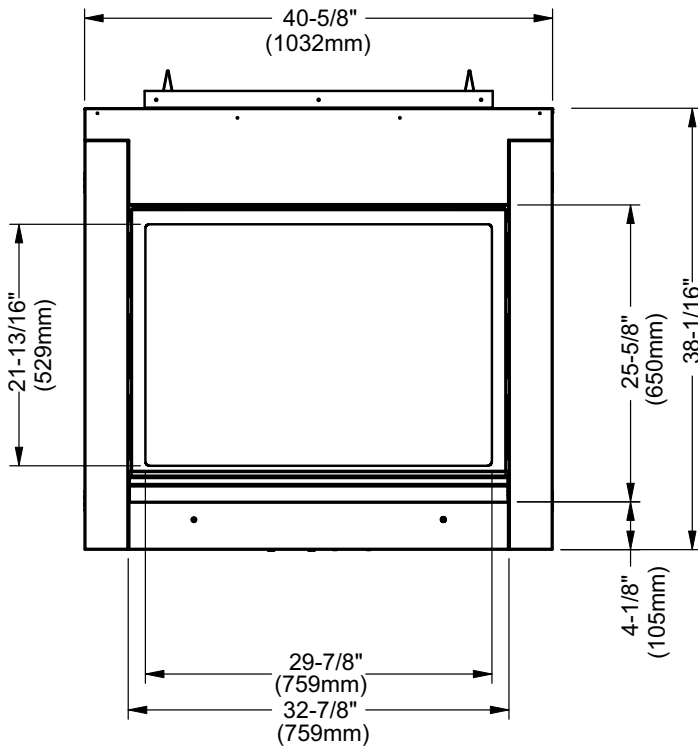
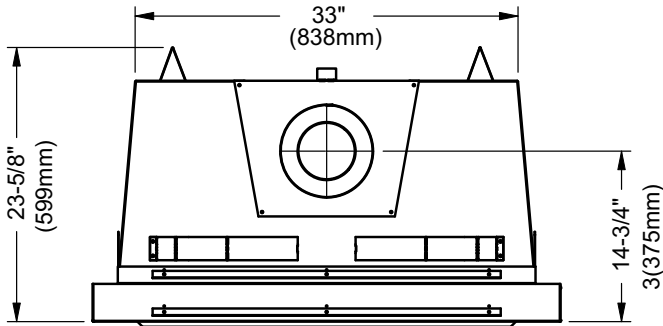
(d) **MANUFACTURER REQUIREMENTS - GAS EQUIPMENT VENTING SYSTEM NOT PROVIDED.** When the manufacturer of a Product Approved side wall horizontally vented gas fueled equipment does not provide the parts for venting the flue gases, but identifies "special venting systems", the following requirements shall be satisfied by the manufacturer:

1. The referenced "special venting system" instructions shall be included with the appliance or equipment installation instructions; and

2. The "special venting systems" shall be Product Approved by the Board, and the instructions for that system shall include a parts list and detailed installation instructions.

(e) A copy of all installation instructions for all Product Approved side wall horizontally vented gas fueled equipment, all venting instructions, all parts lists for venting instructions, and/or all venting design instructions shall remain with the appliance or equipment at the completion of the installation.

UNIT DIMENSIONS



ALL PICTURES / DIAGRAMS SHOWN THROUGHOUT THIS MANUAL ARE FOR ILLUSTRATION PURPOSES ONLY. ACTUAL PRODUCT MAY VARY DUE TO PRODUCT ENHANCEMENTS.

**IMPORTANT MESSAGE
SAVE THESE
INSTRUCTIONS**

The B36XTCE Gas Fireplace must be installed in accordance with these instructions. Carefully read all the instructions in this manual first. Consult the "authority having jurisdiction" to determine the need for a permit prior to starting the installation. It is the responsibility of the installer to ensure this fireplace is installed in compliance with manufacturers instructions and all applicable codes.

BEFORE YOU START

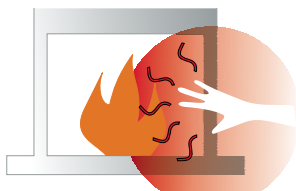
Safe installation and operation of this appliance requires common sense, however, we are required by the Canadian Safety Standards and ANSI Standards to make you aware of the following:

INSTALLATION AND REPAIR SHOULD BE DONE BY AN AUTHORIZED SERVICE PERSON. THE APPLIANCE SHOULD BE INSPECTED BEFORE USE AND AT LEAST ANNUALLY BY A PROFESSIONAL SERVICE PERSON. MORE FREQUENT CLEANING MAY BE REQUIRED DUE TO EXCESSIVE LINT FROM CARPETING, BEDDING MATERIAL, ETC. IT IS IMPERATIVE THAT CONTROL COMPARTMENTS, BURNERS AND CIRCULATING AIR PASSAGEWAYS OF THE APPLIANCE BE KEPT CLEAN.

DUE TO HIGH TEMPERATURES, THE APPLIANCE SHOULD BE LOCATED OUT OF TRAFFIC AND AWAY FROM FURNITURE AND DRAPERIES.

WARNING: FAILURE TO INSTALL THIS APPLIANCE CORRECTLY WILL VOID YOUR WARRANTY AND MAY CAUSE A SERIOUS HOUSE FIRE.

CHILDREN AND ADULTS SHOULD BE ALERTED TO THE HAZARDS OF HIGH SURFACE TEMPERATURES, ESPECIALLY THE FIREPLACE GLASS, AND SHOULD STAY AWAY TO AVOID BURNS OR CLOTHING IGNITION.



YOUNG CHILDREN SHOULD BE CAREFULLY SUPERVISED WHEN THEY ARE IN THE SAME AREA AS THE APPLIANCE. TODDLERS, YOUNG CHILDREN AND OTHERS MAY BE SUSCEPTIBLE TO ACCIDENTAL CONTACT BURNS. A PHYSICAL BARRIER IS RECOMMENDED IF THERE ARE AT RISK INDIVIDUAL IN THE HOUSE. TO RESTRICT ACCESS TO A FIREPLACE OR STOVE, INSTALL AN ADJUSTABLE SAFETY GATE TO KEEP TODDLERS, YOUNG CHILDREN AND OTHER AT RISK INDIVIDUALS OUT OF THE ROOM AND AWAY FROM HOT SURFACES.

CLOTHING OR OTHER FLAMMABLE MATERIAL SHOULD NOT BE PLACED ON OR NEAR THE APPLIANCE.

A BARRIER DESIGNED TO REDUCE THE RISK OF BURNS FROM THE HOT VIEWING GLASS IS PROVIDED WITH THIS APPLIANCE AND SHALL BE INSTALLED FOR THE PROTECTION OF CHILDREN AND OTHER AT-RISK INDIVIDUALS

ANY SAFETY SCREEN, GUARD, OR BARRIER REMOVED FOR SERVICING THE APPLIANCE, MUST BE REPLACED PRIOR TO OPERATING THE APPLIANCE.

IF THE BARRIER BECOMES DAMAGED, THE BARRIER SHALL BE REPLACED WITH THE MANUFACTURER'S BARRIER FOR THIS APPLIANCE.

GENERAL SAFETY INFORMATION

1. The appliance installation must conform with local codes or, in the absence of local codes, with the current Canadian or National Gas Codes, CAN1-B149 or ANSI Z223.1 Installation Codes.
2. The appliance when installed, must be electrically grounded in accordance with local codes, or in the absence of local codes with the current National Electrical Code, ANSI/NFPA 70 or CSA C22.1 Canadian Electrical Code.

3. See general construction and assembly instructions. The appliance and vent should be enclosed.
4. This appliance must be connected to the specified vent and termination cap to the outside of the building envelope. Never vent to another room or inside a building. Make sure that the vent is fitted as per Venting instructions.
5. Inspect the venting system annually for blockage and any signs of deterioration.
6. Venting terminals shall not be recessed into a wall or siding.
7. Any safety glass removed for servicing must be replaced prior to operating the appliance.
8. To prevent injury, do not allow anyone who is unfamiliar with the operation to use the fireplace.
9. Wear gloves and safety glasses for protection while doing required maintenance.
10. Be aware of electrical wiring locations in walls and ceilings when cutting holes for termination.
11. Under no circumstances should this appliance be modified. Parts that have to be removed for servicing should be replaced prior to operating this appliance.
12. Installation and any repairs to this appliance should be done by a qualified service person. A professional service person should be called to inspect this appliance annually. Make it a practice to have all of your gas appliances checked annually.
13. Do not slam shut or strike the glass door.
14. Under no circumstances should any solid fuels (wood, paper, cardboard, coal, etc.) be used in this appliance.
15. The appliance area must be kept clear and free of combustible materials, (gases and other flammable vapours and liquids).

WARNING: Cancer and Reproductive Harm
www.P65Warnings.ca.gov

919-874

INSTALLATION CHECKLIST

1. Locate appliance
 - a) Room location (Refer to "Locating Your Gas fireplace" section)
 - b) Clearances to Combustibles (Refer to "Clearances" section)
 - c) Mantle Clearances (Refer to "Combustible Mantel Clearances" section)
 - d) Framing & Finishing Requirements (Refer to "Framing & Finishing" section)
 - e) Venting Requirements (Refer to "Venting" section)
2. Assemble Top Standoffs and Top Facing Support and Side Nailing Strips (Refer to "Unit Assembly Prior to Installation" Section).
NOTE: Must be done before installing unit into place.
3. Install vent (Refer to "Venting" sections).
4. Make gas connections. Test the pilot. Must be as per Diagram (Refer to "Pilot Adjustment" section).

Convert to propane if desired (Refer to "Gas Line Installation" and "Conversion Kit from NG to LPG" sections).
5. Make electrical connections to receptacle supplied with unit (recommended).
6. Install standard and optional features. Refer to the following sections:
 - a. Install 4AA batteries into battery pack or install supplied AC power adaptor
 - b. Inner Panels or Brick Panels (Optional)
 - c. Log Set Installation
 - d. Standard Flush Door
 - e. Fan Installation (Optional)
 - f. Light Installation (Optional)
7. Final check.

This includes:

1. Clocking the appliance to ensure the correct firing rate (rate noted on label 31,000 Btu/h for natural gas and propane), after burning appliance for 15 minutes.
2. If required, adjusting the primary air to ensure that the flame does not carbon. First allow the unit to burn for 15-20 min. to stabilize.

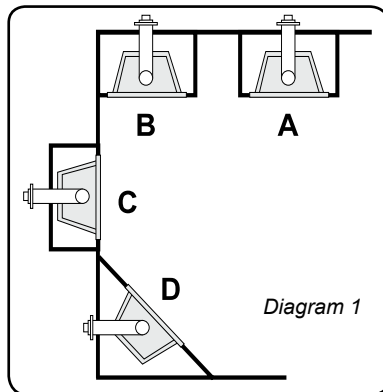
CAUTION: Any alteration to the product that causes sooting or carboning that results in damage is not the responsibility of the manufacturer.

4. This appliance is Listed for bedroom installations using the standard Remote (millivolt thermostat system). Some areas may have further requirements, check local codes before installation.
5. The B36XTCE Gas Fireplace are approved for alcove installations, see "Clearances" section for details.
6. We recommend that you plan your installation on paper using exact measurements for clearances and floor protection before actually installing this appliance. Have an authorized inspector, dealer, or installer review your plans before installation.

LOCATING YOUR GAS FIREPLACE

1. When selecting a location for your fireplace, ensure that the clearances are met.
2. The appliance must be installed on a flat, solid, continuous surface For example a wood, metal or concrete floor or in a raised (on the wall) application. The appliance must be installed on a metal or wood panel extending the full width and depth of the appliance.
3. The B36XTCE Gas Fireplace can be installed in a recessed position or framed out into the room as in A, B, C and D. See Diagram 1.

Note: For vent terminations refer to "Exterior Vent Termination Locations" section.



- A) Flat on Wall
- B) Flat on Wall Corner
- C) Recessed into Wall/Alcove
- D) Corner

CLEARANCES

The clearances listed below are Minimum distances unless otherwise stated:

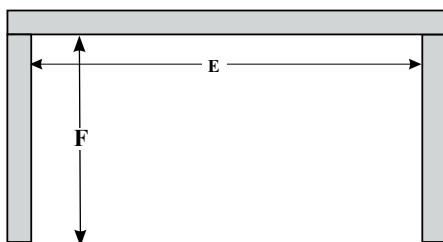
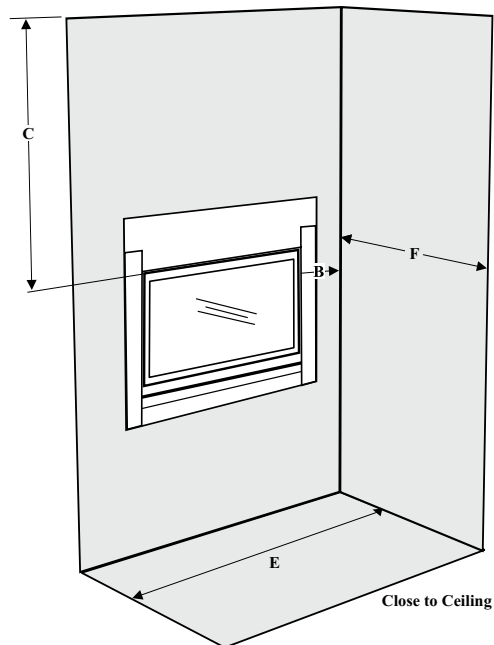
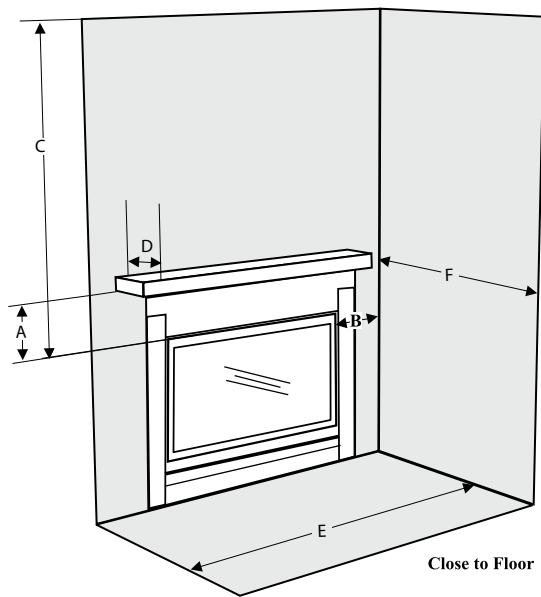
A major cause of chimney related fires is failure to maintain required clearances (air space) to combustible materials. It is of the greatest importance that this fireplace and vent system be installed only in accordance with these instructions.

Caution Requirements
 The top, back and sides of the fireplace are defined by standoffs. The metal ends of the standoff may **NOT** be recessed into combustible construction.

WARNING
 Fire hazard is an extreme risk if these clearances (air space) to combustible materials are not adhered to. It is of greatest importance that this fireplace and vent system be installed only in accordance with these instructions.

B36XTCE Clearance Requirements

Clearance:	Dimension	Measured From:
A: Mantel Height (min.)	21-1/4" (540mm)	Top of Fireplace Opening
B: Sidewall	12" (305mm) one side only	Side of Fireplace Opening
C: Ceiling	39" (991mm)	Top of Fireplace Opening
D: Mantel Depth (max.)	12" (305mm)	29-1/4 " (743mm) from Top of Fireplace Opening
E: Alcove Width	84" (2134mm)	Wall to Wall (Minimum)
F: Alcove Depth	36" (914mm)	Front to Back Wall (Maximum)
Notes:	0"	No Hearth Required



Alcove

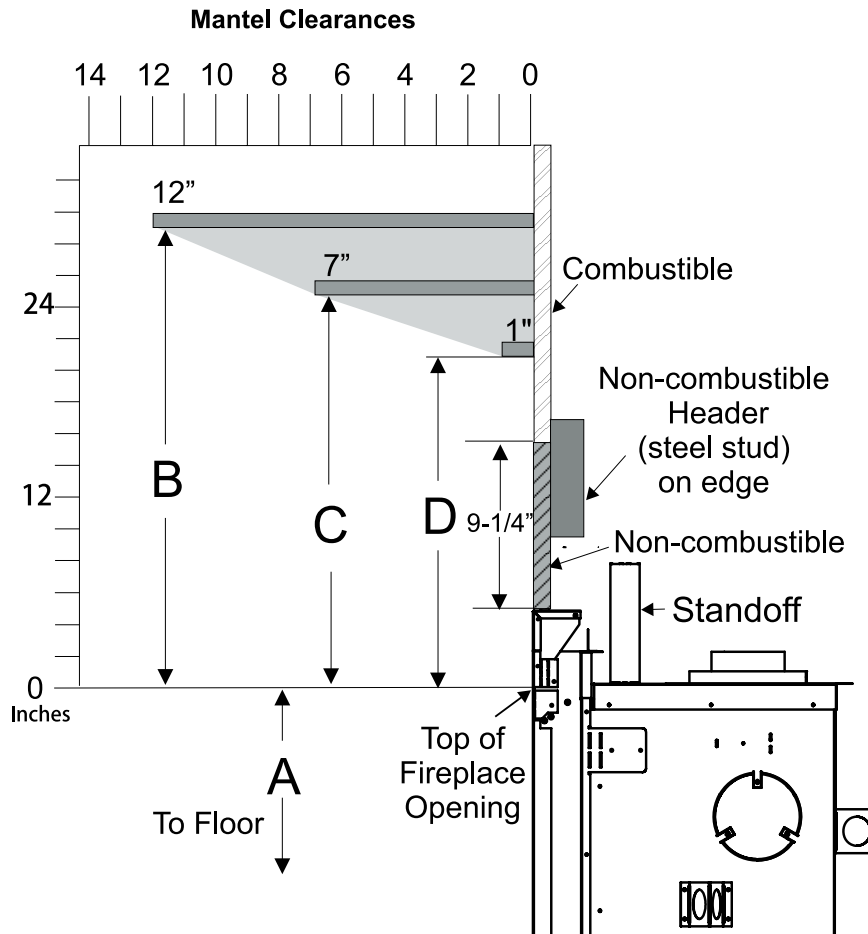
Minimum Vent Clearances to Combustibles

Horizontal Top	2" (51mm)
Horizontal Side	1-1/2 " (38mm)
Horizontal Bottom	1-1/2" (38mm)
Vertical Vent	1-1/2" (38mm)

MANTEL CLEARANCES

Due to the extreme heat this fireplace emits, the mantel clearances are critical. Combustible mantel clearances from top of front facing are shown in the Diagram on the right.

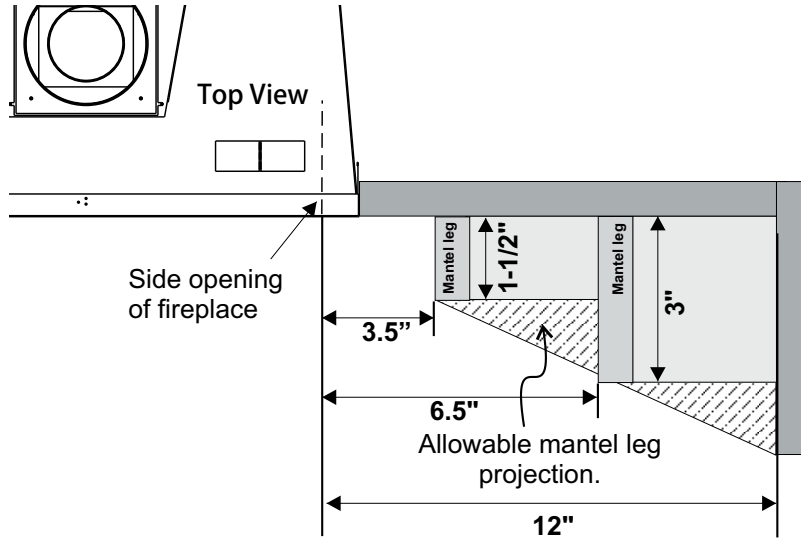
Note: A non-combustible mantel may be installed at a lower height if the framing is made of metal studs covered with a non-combustible board.



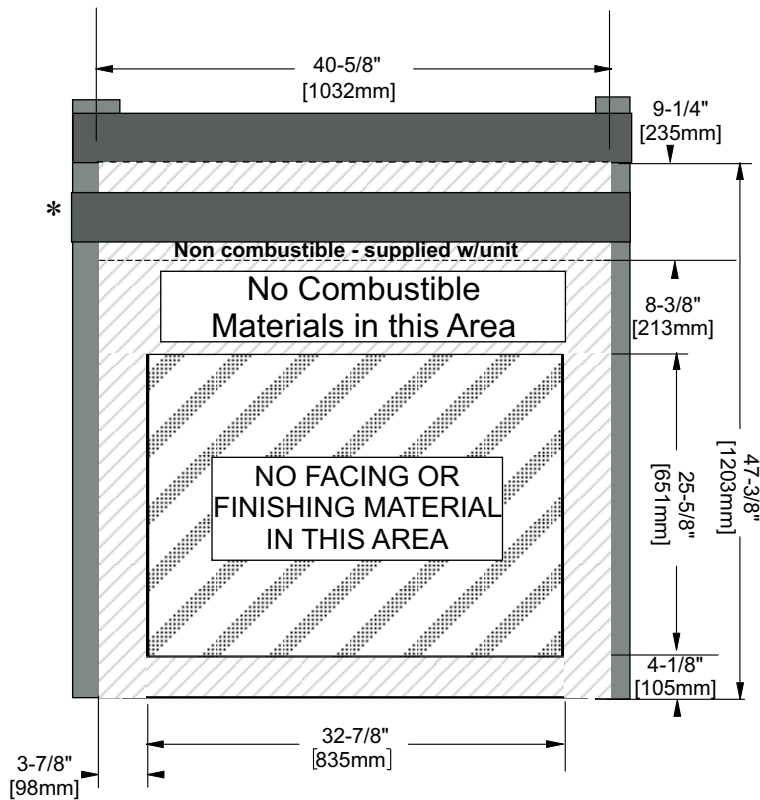
Mantel Clearances B36XTCE	A	B	C	D
From Top of Fireplace Opening	29-11/16" (754mm)	29-1/4" (743mm)	25-3/4" (654mm)	21-1/4" (540mm)

Note: Ensure the paint that is used on the mantel and the facing is "High Quality" or the paint may discolour.

MANTEL LEG CLEARANCES



NON-COMBUSTIBLE REQUIREMENTS:



See framing dimensions on next page.

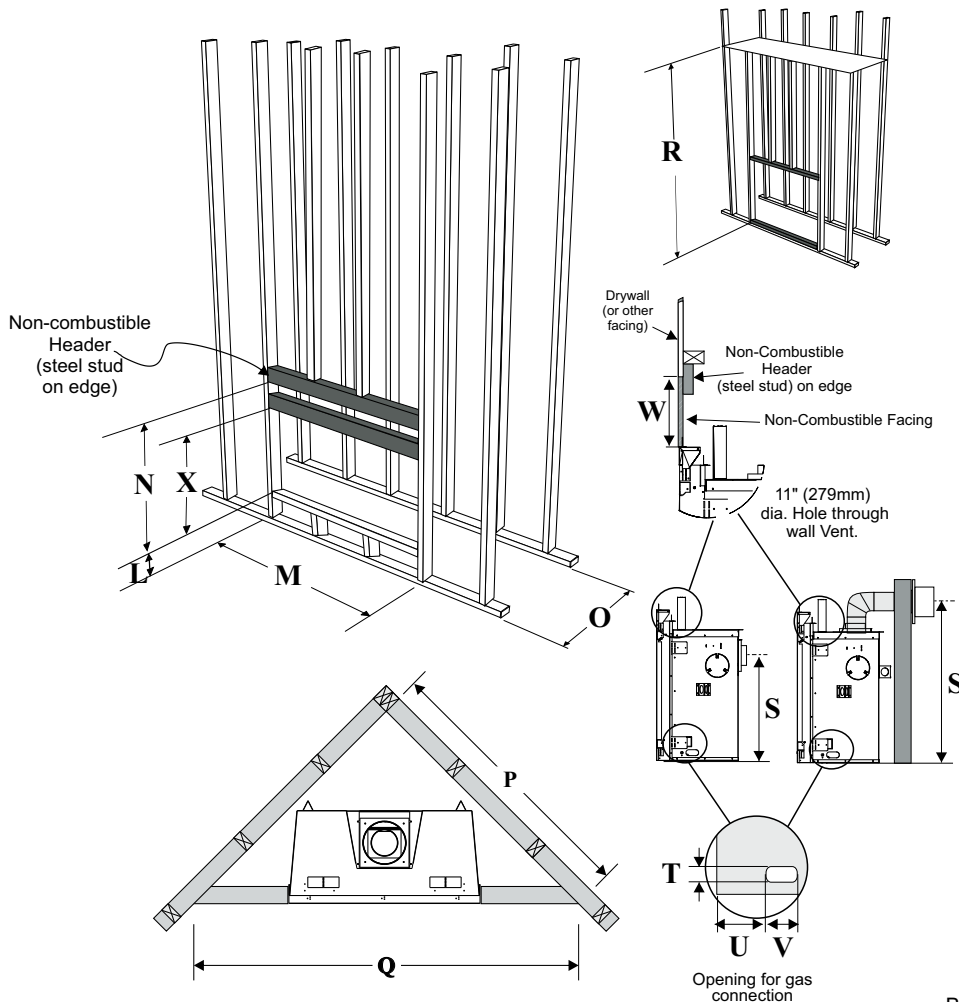
NOTE: The 9-1/4" x 40-5/8" non combustible material supplied with this unit can be replaced if trying to achieve a clean finish. A large piece of non combustible material (ie. 4' x 8' x 1/2") can be used to eliminate taped seams on or near unit.

* Optional : Steel stud may be placed below the original steel stud on edge only when appliance is in place for ease of securing non-combustible material.

FRAMING

Framing Dimensions	Description	B36XTCE	
L	Framing rise from floor	0"	
M	Framing Width	41-1/4"(1048mm)	
N	Framing Height	46-3/4" (1213mm)	
O (Rear Vent)	Framing Depth - Rear Vent	23-7/8" (606mm)	
O (Top Vent)	Framing Depth - Top Vent	23-7/8" (606mm)	
P (Top Vent)	Corner Facing Wall Width	53-1/4" (1353mm)	
P (Rear Vent)	Corner Facing Wall Width	57-7/8" (1470mm) AstroCapXL 66-1/8" (1680mm) - other approved caps	
Q (Top Vent)	Corner Facing Wall Width	75-1/4" (1911mm)	
Q (Rear Vent)	Corner Facing Wall Width	81-1/2" (2070mm) AstroCapXL 93-1/2" (2375mm) - other approved caps	
R (Rear Vent)	Framed Chase Ceiling - Rear	47-3/4" (1213mm)	
R (Top Vent)	Framed Chase Ceiling - Top	50-1/2" (1283mm)	
S (Rear Vent)	Vent Centerline Height - Rear	26-1/2" (673mm)	
S (Top Vent) (5" x 8")	Vent Centerline Height - Top	42-1/8" (1070mm) Flex	44-1/4" (1123mm) Rigid
S (Top Vent) (4" x 6-5/8")	Vent Centerline Height - Top	-	49" (1245mm) Rigid
T	Gas Connection Height	1-1/2" (38mm)	
U	Gas Connection Inset	7-3/8" (187mm)	
V	Gas Connection Width	3-1/4" (83mm)	
W	Non-combustible Height	9-1/4" (235mm)	
X	Optional steel stud	41" (1041 mm)	

**** Important: Framing height requires consideration of the hearth depth. Dimension N = N + the thickness of the installed hearth.**



FRAMING & FINISHING

1. Frame in the enclosure for the unit with framing material.

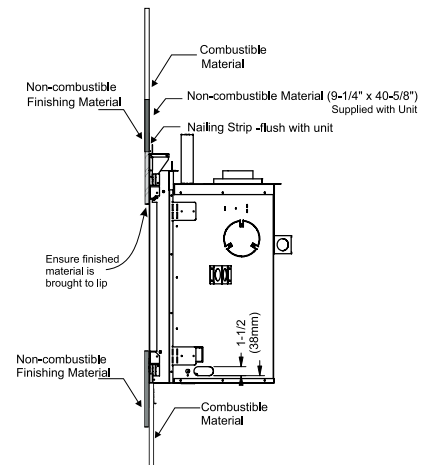
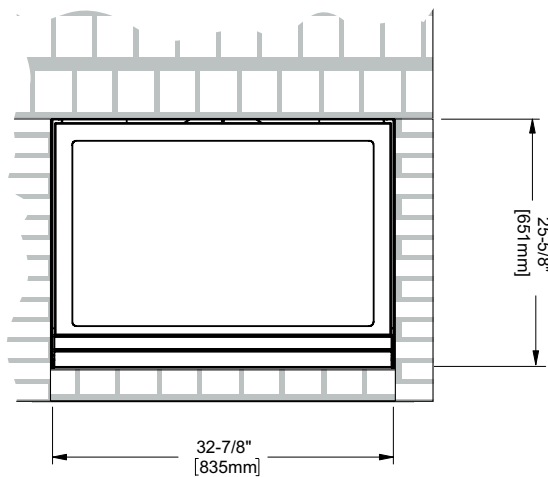
Note: When constructing the framed opening, please ensure there is access to install the gas lines when the unit is installed.

2. For exterior walls, insulate the enclosure to the same degree as the rest of the house; apply vapour barrier and drywall, as per local installation codes. (Do not insulate the fireplace itself.)

WARNING: Failure to insulate and add vapor barriers to the inside of the exterior wall will result in operational and performance problems including, but not limited to: excessive condensation on glass doors, poor flame package, carbon, blue flames etc. These are not product related issues.

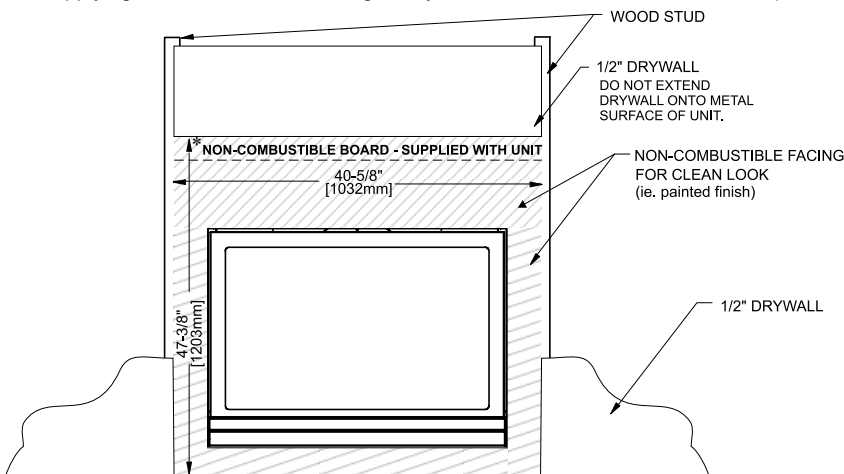
3. The unit does not have to be completely enclosed in a chase. You must maintain clearances from the vent to combustible materials: See "Clearances" section. Combustible materials can be laid against the side and back standoffs and the stove base.
4. Tile Finish Option 1: Drywall may be installed onto the unit as shown below to create a surface to apply finishing materials such as tile, slate, etc. Drywall cannot extend beyond the metal surface of the unit.
5. Tile Finish Option 2: If applying a non-combustible finishing material (tile, slate, etc) the material can be installed directly onto the metal surface (clean front) of the unit in the area shown below.

TILE FINISH

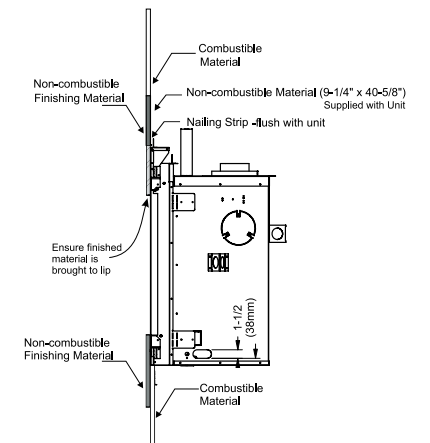


CLEAN FINISH

6. If applying a non-combustible facing it may be installed over the metal surface (clean front) of the unit in the area shown below.



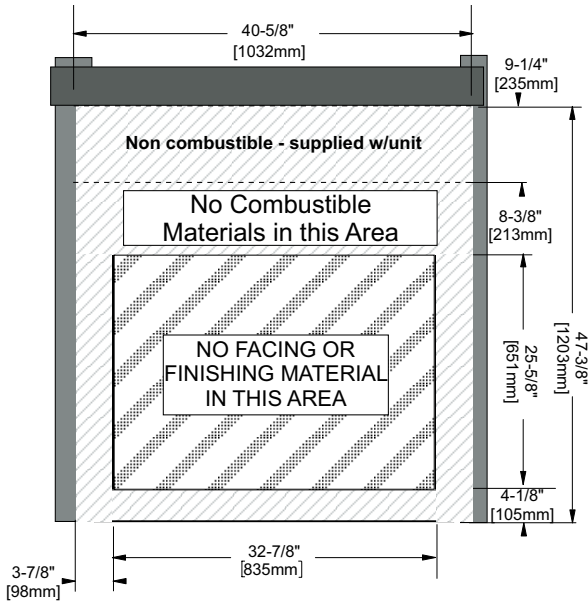
Combustible and Non-combustible Facing and Finishing Materials around unit.



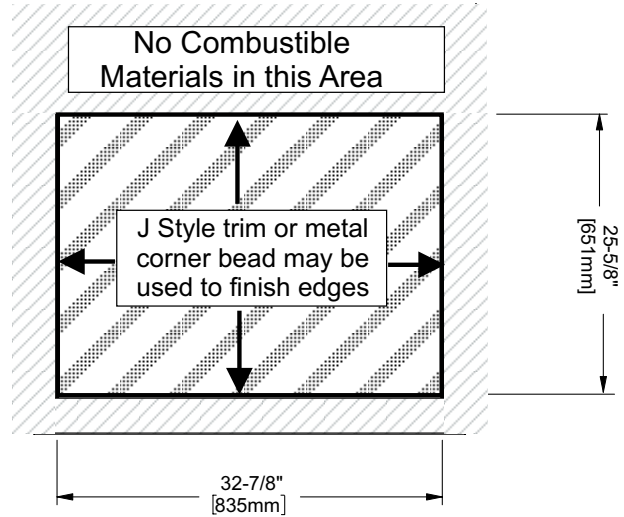
***NOTE:** The 9-1/4" x 40-5/8" non combustible material supplied with this unit can be replaced if trying to achieve a clean finish. A large piece of non combustible material (ie. 4' x 8' x 1/2") can be used to eliminate taped seams on or near unit.

- Non-combustible material (ie. tile, slate, etc) may be brought up to the edge of the glass door of the unit. Minimum clearances must be adhered to, this will assure ease of glass door removal and access to the lower panel.

NOTE: Non-combustible finishing materials may be of any thickness desired.



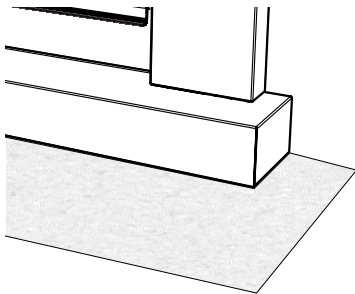
Minimum Clearances for Finishing Materials



Trim materials

IMPORTANT FINISHING DETAIL NOTE:

Before placing unit into final position - it is important to know the total thickness / height of finished hearth (tile, carpet, etc.) The base of the fireplace should be level or higher than the finished hearth height.



Note: All non-combustible facing material should butt up cleanly to the flanges around the firebox opening.

Rough edges may be visible from an angle.

To maintain a clean finished edge - facing material edges may be finished with a J-style trim or metal cornerbead (both materials available at your local building or hardware store).

IMPORTANT: Materials used must be NON-COMBUSTIBLE.

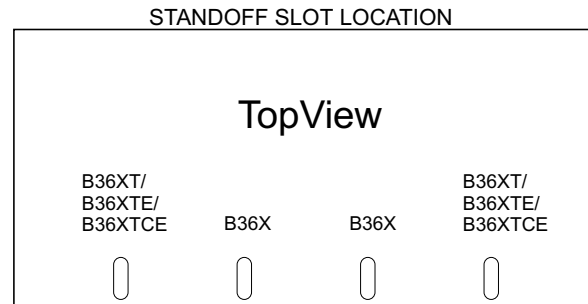
UNIT ASSEMBLY PRIOR TO INSTALLATION

The Top Nailing Support, the Side Nailing Strips, the 2 Top Standoffs and the Flue Collar must be correctly positioned and attached before the fireplace is moved into position.

TOP STANDOFF ASSEMBLY

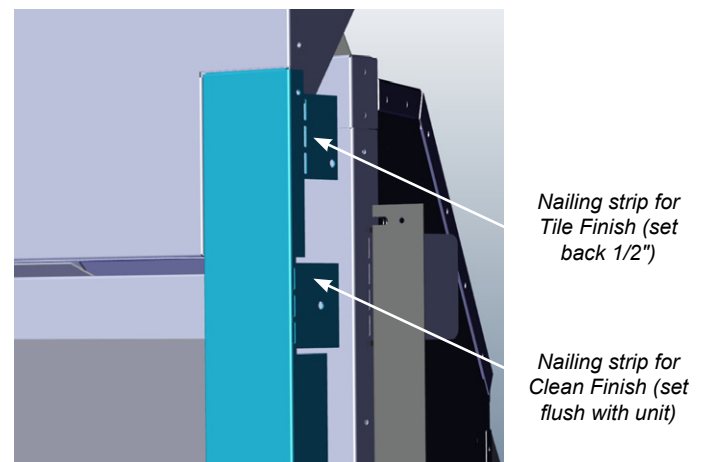
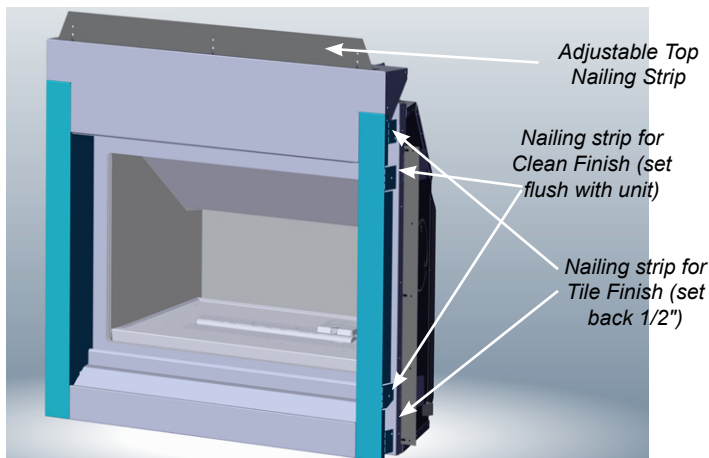
The top standoffs are shipped in a flat position and must be folded into shape and attached.

Take each standoff and bend into the correct shape. Bend up at the bend lines until the tab in the standoff and the pre-punched slots on the fireplace top line up. Be sure to use correct slots, they are marked.



NAILING STRIPS

1. There are 8 (eight) side nailing strips and one top nailing strip available on the unit. One set of four (4) are for a clean finish installation, the other set are for a tile finish installation as they are set back 1/2" (13mm). The top nailing strip is adjustable to 1/2" (13mm).
2. Bend the required four (4) nailing strips to 90°.
3. Attach top nailing strip with one (1) screw (located at the back of the nailing strip). Adjust to required position, flush or back 1/2" and tighten screw.

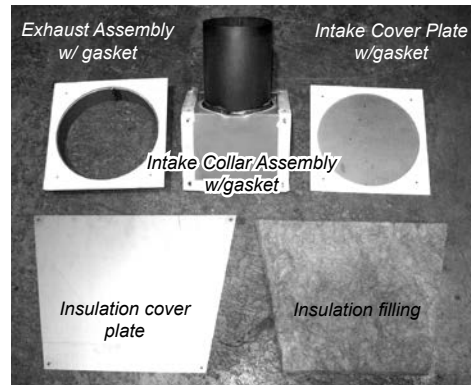


CONVERSION TO TOP VENT

Note: This conversion must be done prior to the unit being placed in position.

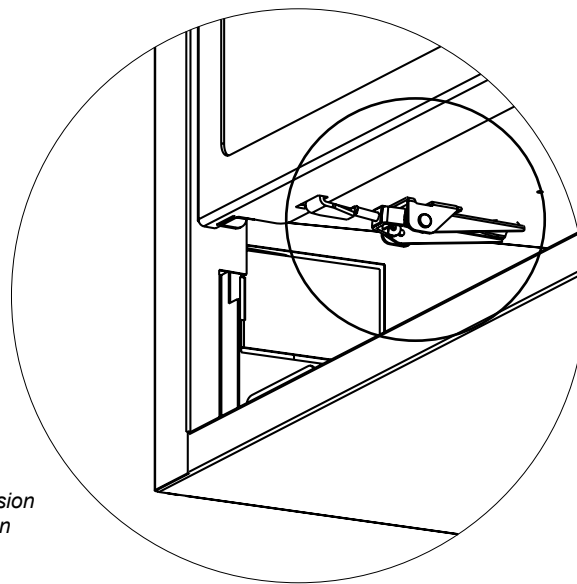
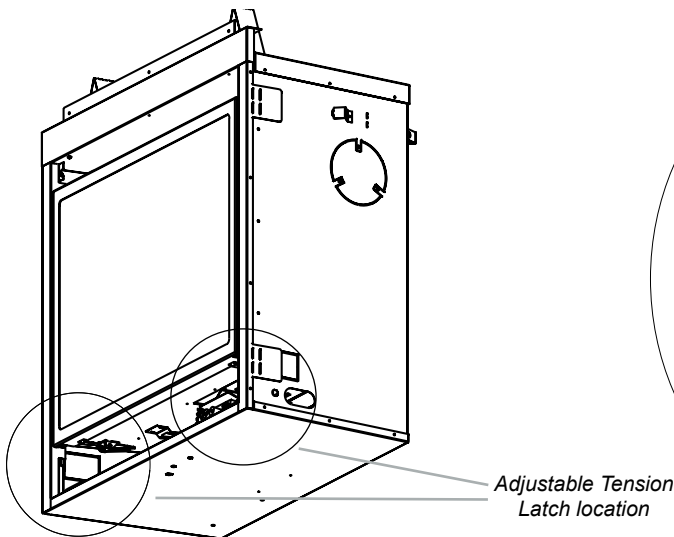
The unit comes equipped as a rear vent unit. These instructions are to be used, only if the unit is going to be top vented.

Top Collar Assembly Kit	
1	Intake Collar Assembly with Gasket
1	Intake Cover Plate with Gasket
1	Top/Rear Exhaust Assembly with Gasket
1	Heat Deflector
1	Baffle Plate
29	1/4" x 1/2" Screws (4 spares)
1	Restrictor
1	Intake Collar Gasket (spare)
1	Exhaust Assembly Gasket (spare)
1	Insulation Plate Cover
1	Insulation Filling

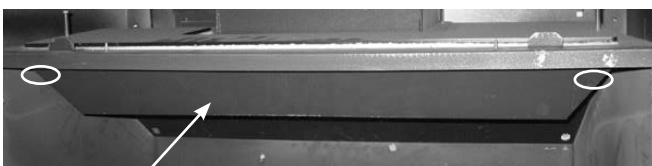


Note: Components shown are installed on unit.

1. Remove the door assembly by releasing the adjustable latches and lifting up off the door frame assembly.

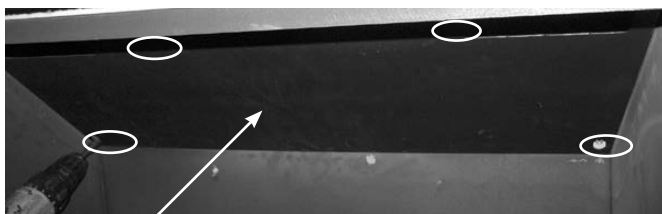


2. From inside the firebox, remove the top heat deflector by removing 2 screws.



Heat Deflector Diagram 2

3. From inside the firebox, remove the baffle plate by removing 4 screws - remove top front screw first. See Diagram 3.



Baffle Plate Diagram 3

- 4) From the inside of the firebox, remove the exhaust assembly by removing the 8 screws. See Diagram 4.



Diagram 4

18 | installation

5. From the outside rear of the firebox, remove the intake collar assembly. Remove the 4 - 1/4" x 1/2" screws. See Diagram 5.

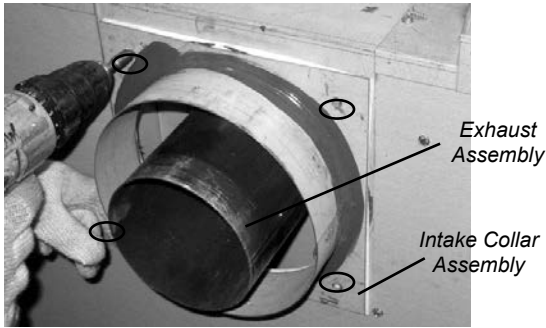


Diagram 5

6. From the outside top of the firebox - remove top insulation cover plate and insulation filling - by removing 4 screws. See Diagram 6. Recycle cover plate and discard insulation filling, keep the 4 screws.

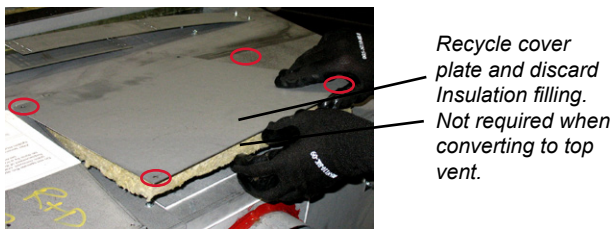


Diagram 6

7. From the outside top of the firebox - remove the intake cover plate by removing the 4 - 1/4" x 1/2" screws. See Diagram 7.

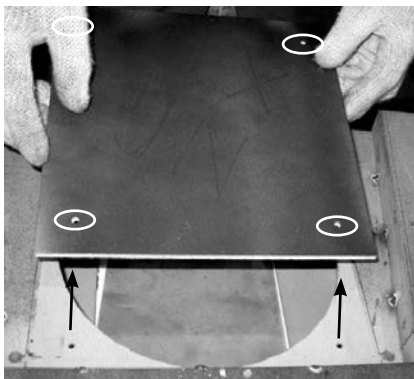


Diagram 7

Before proceeding to Step 8, inspect condition of all gaskets. DO NOT install parts with damaged gaskets. Replace if necessary with spare gaskets supplied.

8. From the inside of the firebox, place the exhaust assembly into position as shown in Diagram 8 and secure with 8 - 1/4" x 1/2" screws (Diagram 9). Ensure all screws are tight, but do not over tighten. All 8 screws must be used.

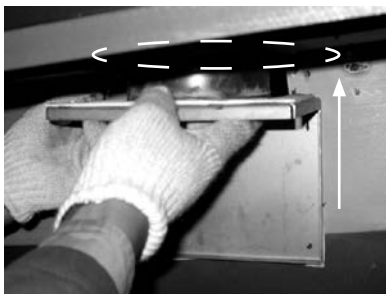


Diagram 8

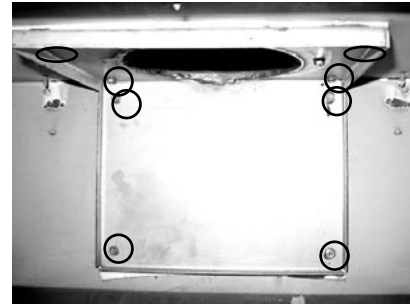


Diagram 9

9. From the outside top of the firebox, install the intake collar assembly. Secure with 4 - 1/4" x 1/2" screws. Ensure all screws are tight, but do not over tighten. All 4 screws must be used.

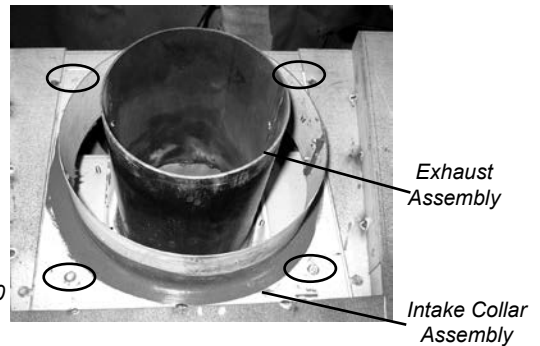


Diagram 10

10. From the outside rear of the firebox, install the intake cover plate with 4 - 1/4" x 1/2" screws. Ensure all screws are tight, but do not over tighten. All 4 screws must be used.



Diagram 11

11. Set vent restrictor accordingly - see next page.

12. From inside the firebox, re-install the baffle plate and heat deflector - reverse steps 2 & 3.

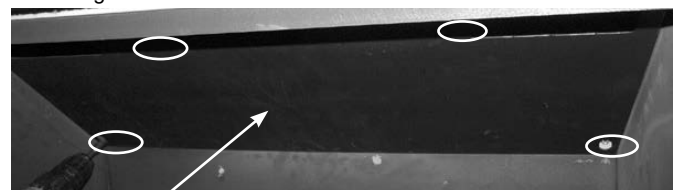
13. From inside the firebox, reinstall the top heat deflector by placing 2 screws.



Heat Deflector

Diagram 12

14. From inside the firebox, reinstall the baffle plate by placing 4 screws - replace top front screw first. Leave loose - until rear screws installed. See Diagram 3.



Baffle Plate

Diagram 13

Note: Reuse existing screw holes - do not make new holes. Tighten screws.

VENT RESTRICTOR, BAFFLE & HEAT DEFLECTOR INSTALLATION

NOTE: THE VENT RESTRICTOR & BAFFLE MUST BE INSTALLED PRIOR TO OPTIONAL PANEL INSTALLATION.

1. Determine the venting configuration.
2. Remove top heat deflector and baffle plate (reverse of steps 5 & 6).
3. Go to venting arrangements section (in the manual) to determine if a vent restrictor setting is required.

Note: The vent restrictor does not apply to rear vent applications.

4. Align the vent restrictor plate to the required vent restrictor position as per the Diagrams shown.
5. Once the vent restrictor plate is in the required position, secure with 2 - 1/4" x 1/2" screws. Ensure all screws are tight, but do not over tighten. (See Diagram 2).

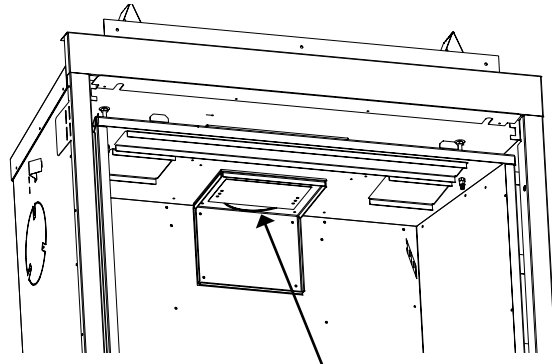
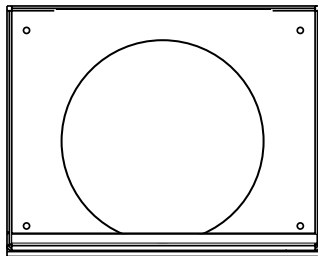


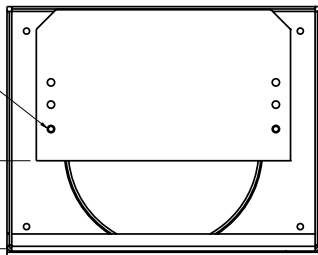
Diagram 2 Vent restrictor installed on top exhaust assembly

NO VENT RESTRICTOR
Factory Setting



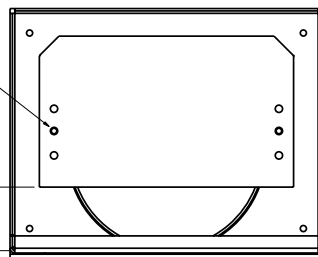
SET 1
THIS HOLE SETS THE
VENT RESTRICTOR
AT 2-1/4"

2-1/4"



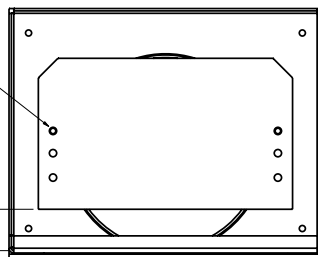
SET 2
THIS HOLE SETS THE
VENT RESTRICTOR
AT 1-5/8"

1-5/8"



SET 3
THIS HOLE SETS THE
VENT RESTRICTOR
AT 1-1/16"

1-1/16"



6. From inside the firebox, install the baffle plate with 4 - 1/4" x 1/2" screws. Ensure all screws are tight, but do not over tighten.

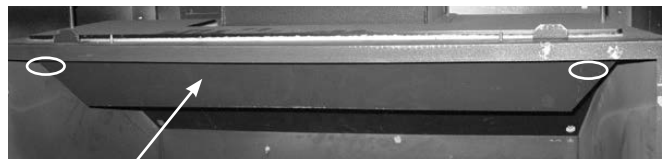


Baffle Plate

Diagram 3

Note: If installing brick/optional panels, see brick/optional panel instructions before proceeding to next step.

7. From **inside** the firebox, install the top heat deflector with 2 - 1/4" x 1/2" screws. Ensure all screws are tight, but do not over tighten.



Heat Deflector

Diagram 4

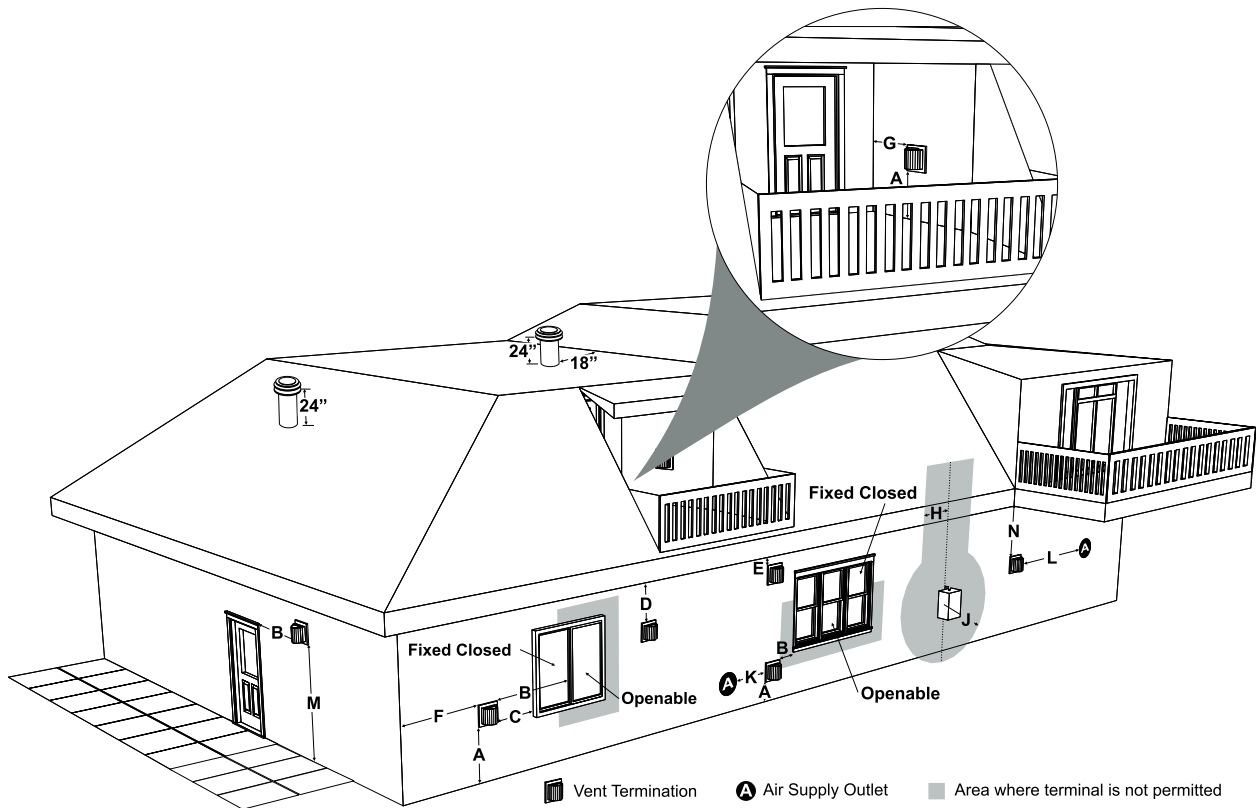
VENTING INTRODUCTION

The B36XTCE uses the "balanced flue" technology Co-Axial system. The inner liner vents products of combustion to the outside while the outer liner draws outside combustion air into the combustion chamber thereby eliminating the need to use heated room air for combustion and losing warm room air up the chimney.

Note: These flue pipes must not be connected to any other appliance.

The gas appliance and vent system must be vented directly to the outside of the building, and never be attached to a chimney serving a separate solid fuel or gas burning appliance. Each direct vent gas appliance must use it's own separate vent system. Common vent systems are prohibited.

EXTERIOR VENT TERMINATION REQUIREMENTS



	Minimum Clearance Requirements	Canada ¹	USA ²
A	Clearance above grade, veranda, porch, deck, or balcony	12"(30cm)	12"(30cm)
B	Clearance to window or door that may be opened	12"(30cm)	9" (23cm)
C	Clearance to permanently closed window	*	*
D	Vertical clearance to ventilated soffit located above the terminal within a horizontal distance of 2 feet (61cm) from the center line of the terminal (check with the local code)	24"(60cm)	24"(60cm)
E	Clearance to unventilated soffit	19"(48cm)	19"(48cm)
F	Clearance to outside corner: with AstroCap Termination Cap.	13"(33cm)	13"(33cm)
	Clearance to outside corner: with all other approved Termination Caps.	13"(33cm)	13"(33cm)
G	Clearance to inside corner: with AstroCap Termination Cap	11"(28cm)	11"(28cm)
	Clearance to inside corner: with all other approved Termination Caps.	11"(28cm)	11"(28cm)
H	Clearance to each side of center line extended above meter/regulator assembly	36"(90cm) ^a	*
J	Clearance to service regulator vent outlet	36"(90cm)	*
K	Clearance to non-mechanical air supply inlet to building or the combustion air inlet to any other appliance	12"(30cm)	9" (23cm)
L	Clearance to a mechanical air supply inlet #3' (91cm) above if within 10' (3m) horizontally.	72"(1.8m)	36"(90cm) ^b
M	Clearance above paved sidewalk or a paved driveway located on public property	84"(2.1m) [†]	*
N	Clearance under veranda, porch, deck, or balcony	12"(30cm) [‡]	*

¹ In accordance with current CSA B149.1, *Natural Gas and Propane Installation Code*

² In accordance with the current ANSI Z223.1/NFPA 54, *National Fuel Gas Code*

[†] A vent shall not terminate directly above a sidewalk or paved driveway which is located between two single family dwellings and serves both dwellings

[‡] Permitted only if veranda, porch, deck, or balcony is fully open on a minimum of two sides beneath the floor

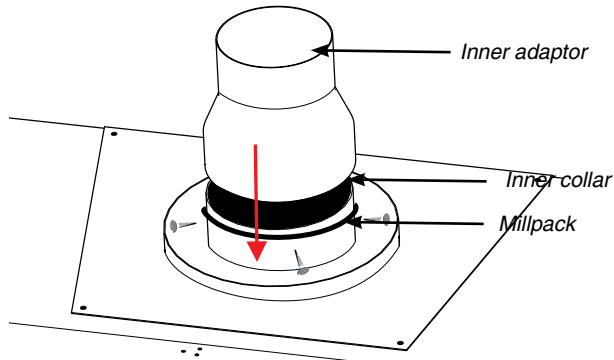
* Clearance in accordance with local installation codes and the requirements of the gas supplier

^a 3 feet (91cm) within a height of 15 feet (4.5m) above the meter / regulator assembly

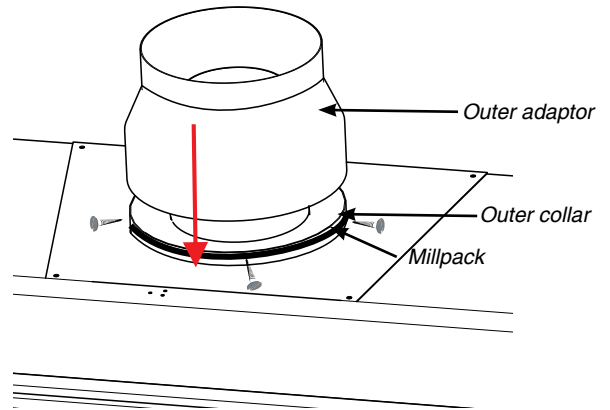
^b 3 feet (91cm) above - if within 10 feet (3m) horizontally

TOP VENT REDUCER INSTALLATION—FROM 5" X 8" TO 4" X 6-5/8"

1. Apply a bead of Millpack around the base of the inner vent collar. Slide the inner adaptor over the collar and secure with 3 screws.



2. Apply a bead of Millpack around the base of the outer vent collar. Slide the outer adaptor over the collar and secure with 3 screws.



3. Follow installation instructions for the Flex venting kit.

VENTING

**DIRECT VENT SYSTEM (FLEX)
HORIZONTAL TERMINATIONS ONLY**

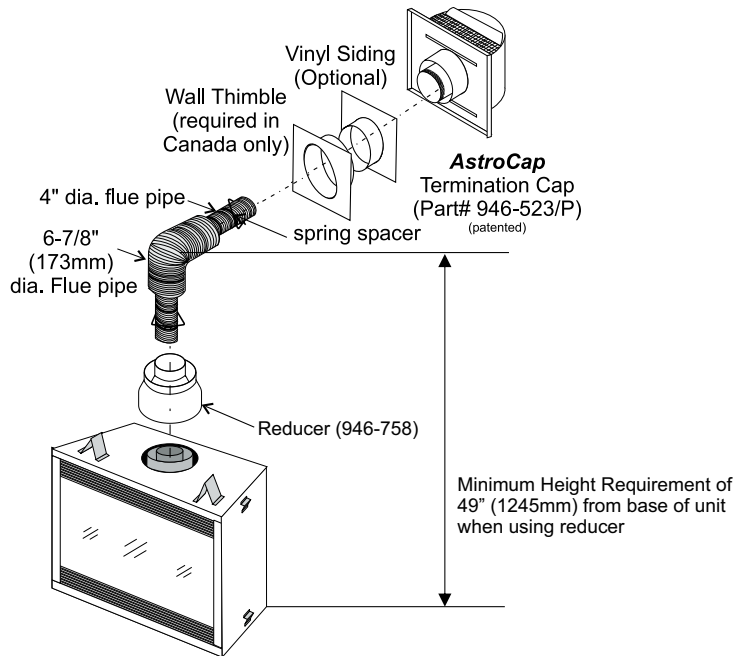
These venting systems, in combination with the B36XTE Direct Vent Gas Fireplace, have been tested and listed as a direct vent heater system by Warnock Hersey. The location of the termination cap must conform to the requirements in the Vent Terminal Locations diagram in the "Exterior Vent Termination Locations" section.

Regency Direct Vent (Flex) System Termination Kit (Part # 946-515) includes all the parts needed to install the B36XTE with a maximum run of 4 feet.

1)	6-7/8" dia. flexible liner (4 ft. length)
2)	4" dia. flexible liner (4 ft. length)
3)	spring spacers (4)
4)	thimble (2)
5)	AstroCap termination cap (1)
6)	screws (12)
7)	tube of Mill Pac (1)
8)	plated screws (8)
9)	screws #8 x 1-1/2" Drill Point, Stainless Steel (4)

If longer runs are needed, the Regency Direct Vent system (Flex) # 946-516 includes all the parts needed to install the B36XTE with a maximum 10' run.

1)	6-7/8" dia. flexible liner (10 ft. length)
2)	4" dia. flexible liner (10 ft. length)
3)	spring spacers (7)
4)	thimble (2)
5)	AstroCap termination cap (1)
6)	screws (12)
7)	tube of Mill Pac (1)
8)	plated screws (8)
9)	screws #8 x 1-1/2" Drill Point, Stainless Steel (4)



Notes:

1. Liner sections should be continuous without any joints or seams.
2. Only Flex pipe purchased from Regency may be used for Flex installations.

VERTICAL TERMINATION

4" X 6-7/8" VENTING - VERTICAL FLEX VENT KIT (946-755)

- Maintain the 1-1/2" clearance (air space) to combustibles when passing through ceilings, walls, floors, enclosures, attic rafters or other nearby combustibles. Do not pack air spaces with insulation. Check Venting sections for the maximum vertical rise of the venting system and the maximum horizontal offset limitations.
Ensure that you maintain clearances around enclosures, walls, below or above floors, floor joists, etc. Each appliance has different clearance requirements (top,sides,bottom). See specific appliance manual for details.
- Set the appliance in its desired position. Drop a plumb bob down from the ceiling/floor joist to the position of the appliance flue exit and mark the location where the vent will penetrate the ceiling. Drill a small hole at this point. Next drop a plumb bob from the roof to the hole previously drilled at the ceiling level and mark the spot where the vent will penetrate the roof.
- Cut a hole in the roof centered on the small hole placed in the roof in the previous steps. The hole should be a minimum of 10-1/4 inches. The hole may be round and or square.
- Slip the flashing under the shingles and line up flashing so it is centered to the hole (shingles should overlap half of the flashing) as per Diagram 1.

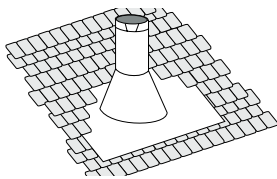


Diagram 1: The upper half of the flashing is installed under the roofing material and not nailed down until the chimney is installed. This allows for small adjustments.

Diagram 1

- A ceiling firestop/firestop spacer must be installed when passing through each floor or ceiling level. To install the ceiling firestop/firestop spacer in a flat ceiling or floor joist cut a 10- 1/4 inch square hole. Frame the hole as show in Diagram 1 and install the ceiling firestop. Slide the top attic insulation spacer onto the top of the attic insulation shield/firestop - See Diagram 1a. Secure with 4 screws/nails. If more than one is required, these can be purchased separately.

Note: The ceiling firestop/firestop spacer may be cut down to size if this shield is too high for the application.

Firestop spacer to prevent debris from falling into the ceiling firestop

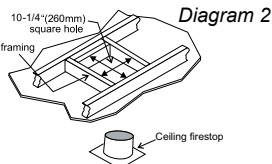


Diagram 2

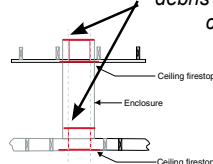


Diagram 2a

- Determine the overall height of the chimney from the top of the appliance to the underside of the flashing. If required cut the flexible inner and outer pipe to the desired length up to a maximum of 20 feet.
- Put a bead of Mill-Pac around the 4 inch collar on the appliance and slide the inner flex pipe over the inner collar of the appliance and secure with a minimum of 3 screws.
- Install 4 inch spacers around 4 inch flex.
- Repeat Step 7 to install the outer pipe to the outer collar of the appliance

Note: If an offset is necessary in the attic or floor joists it is important to support the vent pipe every 3 feet to avoid excessive stress and sagging of the vent pipe. Wall straps are provided (3 in total) for this purpose. All round/plumbers strapping may also be used if further supports are required.

- Attach the rigid pipe section to the adaptor by using Mill-Pac on the inner/ outer pipe. Use 3 screws to secure outer pipe.

- Secure inner flex pipe to pipe adaptor by using Mill-Pac over the adaptor. Slide the inner pipe over adaptor and secure with 3 screws.
- Repeat Step 11 to secure outer flex.
- Slide the finished length up towards the flashing ensuring the length of pipe is a minimum of 2 feet measured from the top of the roof. Level the chimney and secure using the roof support provided with kit to bottom side of the roof as shown using a minimum of 2 screws per side- see Diagram 3b. See Diagram 4 for roof pitch and height requirements. See Diagram 3a for securing method if 2ft. is insufficient and additional lengths are required, this may be purchased separately. See Simpson Duravent components list in the instruction manual for part numbers.

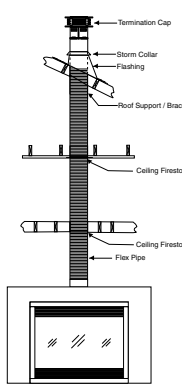


Diagram 3

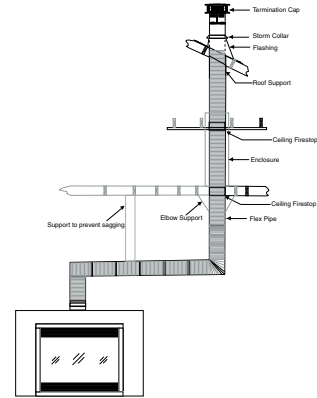


Diagram 3a

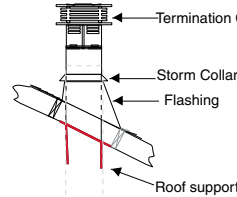


Diagram 3b

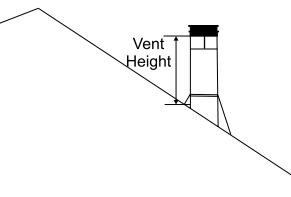


Diagram 4

Roof Pitch	Minimum Vent Height	
	Feet	Meters
flat to 7/12	2	0.61
over 7/12 to 8/12	2	0.61
over 8/12 to 9/12	2	0.61
over 9/12 to 10/12	2.5	0.76
over 10/12 to 11/12	3.25	0.99
over 11/12 to 12/12	4	1.22
over 12/12 to 14/12	5	1.52
over 14/12 to 16/12	6	1.83
over 16/12 to 18/12	7	2.13
over 18/12 to 20/12	7.5	2.29
over 20/12 to 21/12	8	2.44

- Put a bead of caulking on the exterior between the outer pipe and flashing to prevent water from penetrating the chimney system.
- Slide storm collar over pipe length until it reaches the flashing.
- Install termination cap by twist locking it.
- Secure the flashing to the roof using screws

Note: Any closets or storage spaces which the vent passes through must be enclosed.

VERTICAL FLUE EXTENSION KIT (PART #946-756)

20 foot Flex pipe Extension

(Used in conjunction with the 946-755 Vertical Flex kit and 948-367/P flex to flex adaptor).

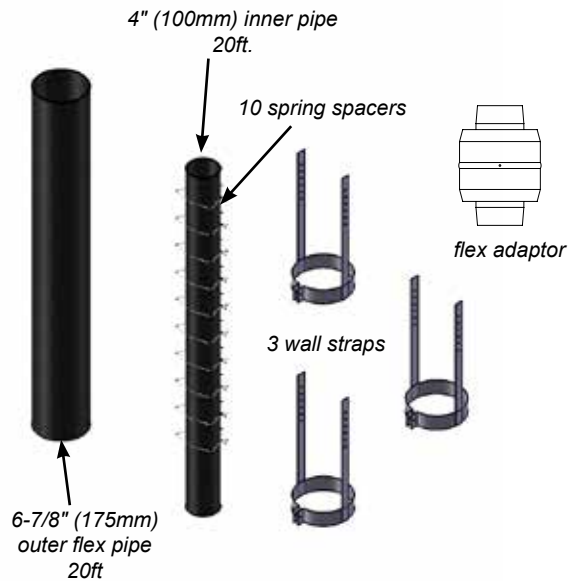
1. Stretch out both inner 4" (100 mm) and outer 6 7/8" (175mm) pipe up to a maximum of 20 feet.

Note : The inner and outer pipes may be cut if only a short length is required.

2. Install spring spacers around 4" (100 mm) inner pipe as shown.
Slide outer flex pipe over and all the way down the 4" pipe.
3. Apply a bead of Mill Pac around the perimeter of the 4" (100mm) inner collar of the flex adaptor and slip the 4" (100mm) inner flex pipe from the Vertical termination kit over the flex adapter ensuring that the inner flex pipe overlaps the collar by at least 1-3/8" (35mm). Fasten with 3 screws.
4. Apply a bead of Mill Pac around the perimeter of the 6-7/8" (175mm) outer collar of the flue adapter and slip it over the 6-7/8" (175 mm) outer flex pipe from the vertical termination kit ensuring that the outer flex pipe overlaps the collar by at least 1-3/8" (35mm). Fasten with the 3 screws.
5. Repeat steps to secure the other end of the flex adapter using the flex kit.
6. See Vertical Vent installation instructions for installation of the complete vent system.

Note: If an offset is necessary in the attic or floor joists it is important to support the vent pipe every 3 feet to avoid excessive stress and sagging of the vent pipe. Wall straps are provided (3 in total) for this purpose.

All round/plumbers strapping may also be used if further supports are required.



CEILING FIRESTOP / FIRESTOP SPACER (PART #946-757)

Used in conjunction with the 946-755 Vertical flex kit and 946-756 kit Vertical flex extension kit/Horizontal power vent kit.

A ceiling firestop/firestop spacer must be installed when passing through each floor or ceiling level. To install the ceiling firestop/firestop spacer in a flat ceiling or floor joist cut a 10- 1/4 inch square hole. Frame the hole as show in Diagram 1 and install the ceiling firestop. Slide the top attic insulation spacer onto the top of the attic insulation shield/firestop - See Diagram 1a. Secure with 4 screws/nails. If more than one is required, these can be purchased separately.

Note: The ceiling firestop/firestop spacer may be cut down to size if this shield is too high for the application.

**4" X 6-5/8" RIGID PIPE
CROSS REFERENCE CHART ONLY**

Components from different Manufacturers may not be mixed. Not all Rigid Pipe components are available directly from FPI.

Description	Simpson Direct Vent Pro®	Selkirk Direct Temp™	American Metal Products® Amerivent Direct	Metal-Fab™ Sure Seal	Security Secure-Vent®	ICC Excel Direct	Olympia Ventis DV*
6" Pipe Length-Galvanized	46DVA-06	4DT-6	N/A	4D6	SV4L6	TC-4DL6	VDV-0406
6" Pipe Length-Black	46DVA-06B	4DT-6B	N/A	4D6B	SV4LB6	TC-4DL6B	VDVB-0406
7" Pipe Length-Galvanized	N/A	N/A	4D7	N/A	N/A	N/A	N/A
7" Pipe Length-Black	N/A	N/A	4D7B	N/A	N/A	N/A	N/A
9" Pipe Length-Galvanized	46DVA-09	4DT-9	N/A	N/A	N/A	TC-4DL9	VDV-0409
9" Pipe Length-Black	46DVA-09B	4DT-9B	N/A	N/A	N/A	TC-4DL9B	VDVB-0409
12" Pipe Length-Galvanized	46DVA-12	4DT-12	4D12	4D12	SV4L12	TC-4DL1	VDV-0412
12" Pipe Length-Black	46DVA-12B	4DT-12B	4D12B	4D12B	SV4LB12	TC-4DL1B	VDVB-0412
18" Pipe Length-Galvanized	46DVA-18	4DT-18	4D18	4D18	SV4LA	TC-4DL18	VDV-0418
18" Pipe Length-Black	46DVA-18B	4DT-18B	4D18B	4D18B	SV4LA	TC-4DL18B	VDVB-0418
24" Pipe Length-Galvanized	46DVA-24	4DT-24	4D24	4D24	SV4L24	TC-4DL2	VDV-0424
24" Pipe Length-Black	46DVA-24B	4DT-24B	4D24B	4D24B	SV4LB24	TC-4DL2B	VDVB-0424
36" Pipe Length-Galvanized	46DVA-36	4DT-36	4D36	4D36	SV4L36	TC-4DL3	VDV-0436
36" Pipe Length-Black	46DVA-36B	4DT-36B	4D36B	4D36B	SV4LB36	TC-4DL3B	VDVCB-0436
48" Pipe Length-Galvanized	46DVA-48	4DT-48	4D48	4D48	SV4L48	TC-4DL4	VDV-0448
48" Pipe Length-Black	46DVA-48B	4DT-48B	4D48B	4D48B	SV4LB48	TC-4DL4B	VDVB-0448
60" Pipe Length-Galvanized	46DVA-60	4DT-60	N/A	N/A	N/A	N/A	N/A
60" Pipe Length-Black	46DVA-60B	4DT-60B	N/A	N/A	N/A	N/A	N/A

Adjustable Length 3"-10"-Galvanized	N/A	N/A	N/A	4DAL	N/A	TC-4DLT	N/A
Adjustable Length 3"-10"-Black	N/A	N/A	N/A	4DALB	N/A	TC-4DLTB	N/A
Adjustable Length 7"-Galvanized	N/A	N/A	4D7A	N/A	N/A	N/A	N/A
Adjustable Length 7"-Black	N/A	N/A	4D7AB	N/A	N/A	N/A	N/A
Extension Pipe 8-1/2"-Galvanized	46DVA-08A	N/A	N/A	N/A	N/A	N/A	N/A
Extension Pipe 8-1/2"-Black	46DVA-08AB	N/A	N/A	N/A	N/A	N/A	N/A
Adjustable Length 12"-Galvanized	N/A	N/A	4D12A	N/A	SV4LA12	TC-4dLSI	N/A
Adjustable Length 12"-Black	N/A	N/A	4D12A	N/A	SV4LBA12	TC-4dLSIB	N/A
Extension Pipe 16"-Galvanized	46DVA-16A	N/A	N/A	N/A	N/A	N/A	N/A
Extension Pipe 16"-Black	46DVA-16AB	N/A	N/A	N/A	N/A	N/A	N/A

45° Elbow-Galvanized	46DVA-E45	4DT-EL45	4D45L	N/A	N/A	TE-4DE45	VDV-EL0445
45° Elbow-Black	46DVA-E45B	4DT-EL45B	4DT-EL45B	N/A	N/A	TE-4DE45B	VDVB-EL0445
45° Elbow Swivel-Galvanized	See 46DVA-E45	N/A	N/A	4D45L	SV4E45	N/A	N/A
45° Elbow Swivel-Black	See 46DVA-E45B	N/A	N/A	4D45LB	SV4EB45	N/A	N/A
90° Elbow-Galvanized	46DVA-E90	4DT-EL90S	4DT-EL90S	N/A	N/A	TE-4DE90	VDV-EL0445
90° Elbow-Black	46DVA-E90B	4DT-EL90SB	4DT-EL90SB	N/A	SV4EBR90-1	TE-4DE90B	VDVB-EL0445
90° Elbow, Swivel-Galvanized	See 46DVA-E90	N/A	N/A	4D90L	SV4E90-1	N/A	N/A
90° Elbow, Swivel-Black	See 46DVA-E90B	N/A	N/A	4D90LB	SV4EB90-1	N/A	N/A
90° Starter Elbow, Swivel-Galvanized	N/A	N/A	N/A	4D90A	N/A	N/A	N/A
Adaptor*	N/A	N/A	N/A	4D90L	N/A	N/A	VDV-UAA04

Ceiling Support	N/A	4DT-CS	4DSP	4DFSP	SV4SD	TM4-RDS	VDV-SCR04
Cathedral Support Box	46DVA-CS	4DT-CSS	4DRSB	4DRS	SV4CSB	TM4-SDS	VDV-CSS04
Wall Support/Band	46DVA-WS	4DT-WS/B	4DWS	4DWS	SV4BM	TM-SWS	VDV-WS04
Offset Support	46DVA-ES - N/A from FPI	4DT-OS	N/A	N/A	SV4SU	TM-SOS	N/A
Wall Thimble-Black	46DVA-WT	4DT-WT	4DWT	4DWT	SV4RSM	N/A	VDV-WPT04
Wall Thimble Support/Ceiling Support	46DVA-DC	N/A	N/A	N/A	SV4PF	N/A	N/A
Firestop Spacer	46DVA-FS	4DT-FS	4DFSP	4DFS	SV4BF	TM-4CS	VDV-FS04
Trim Plate-Black	N/A	4DT-TP	4DFPB	4DcP	SV4LA	TM-4TP	VDV-WTC04

Description	Simpson Direct Vent Pro®	Selkirk Direct Temp™	American Metal Products® Amerivent Direct	Metal-Fab™ Sure Seal	Security Secure-Vent®	ICC Excel Direct	Olympia Ventis DV*
Attic Insulation Shield 12"	46DVA-IS N/A@ FPI	N/A	4DAIS12	N/A	SV4RSA	N/A	VDV-AIS04
Attic Insulation Shield - Cold Climates 36"	N/A	N/A	4DAIS12	N/A	N/A	TM-4AS	N/A

Basic Horizontal Termination Kit (A)	Disc.	4DT-HKA	4DHTK2	4DHTKA	SV-SHK	TM4-HTK	VDV-KW04
Horizontal Termination Kit (B)	46DVA-KHA (Changed Components)	4DT-HKB	4DHTK1	4DHTKB	SV-HK	TM4-HTK	VDV-K04
Vertical Termination Kit	Disc.	4DT-VKC	4DHTK	4DHTK	SV-FK	N/A	N/A

High Wind Vertical Cap	46DVA-VCH	N/A	N/A	N/A	N/A	TM-4VT	VDV-VCHW04
High Wind Horizontal Cap	46DVA-HC	N/A	N/A	N/A	N/A	TM-4DHT	N/A
Horizontal Square Termination Cap	46DVA-HC	4DT-HHC	4DHC	4DHT	SV4CHC-1	TM-4HT	VDV-HC04
Vertical Termination Cap	46DVA-VC	4DT-HVC	4DVC	4DVT	SV4CGV-1	N/A	N/A
Storm Collar	46DVA-08A	4DT-SC	4DSC	4DSC	SV4FC	TM-SC	VDV-SC04

Adjustable Flashing 0/12-6/12	46DVA-F6	4DT-ST14	4D12S	4DST14	SV4STC14	TF-4FA	VDV-F0406
Adjustable Flashing 6/12-12/12	46DVA-F12	4DT-ST36	4D36S	4DST36	SV4STC36	TF-4FB	VDV-SSO

Vinyl Siding Standoff	46DVA-VSS	4DT-VS	N/A	4DVS	SV4VS	TM-VSS	N/A
Vinyl Siding Shield Plate	N/A	4DT-VSP	N/A	N/A	SV4VS	N/A	N/A

Snorkel Termination 14"	46DVA-SNK14	N/A	N/A	N/A	N/A	TM-4ST14	N/A
Snorkel Termination 36"	N/A	N/A	N/A	N/A	N/A	TM-4ST36	N/A

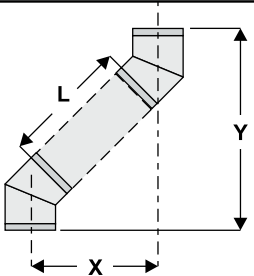
Restrictor Disk	N/A	N/A	N/A	N/A	N/A	TM-4DS	N/A
Extended Vertical Termination Cap	N/A	N/A	N/A	N/A	N/A	N/A	N/A
Chimney Conversion Kit A (USA only)	46DVA-KCA	N/A	N/A	N/A	N/A	TM-4CA6	N/A
Chimney Conversion Kit B (USA only)	46DVA-KCB	N/A	N/A	N/A	N/A	TM-4CA7	N/A
Chimney Conversion Kit C (USA only)	46DVA-KCC	N/A	N/A	N/A	N/A	TM-4CA8	N/A
Wall Firestop	46DVA-WFS	N/A	N/A	N/A	N/A	TM-4TR	VDV-FS04
Colinear Flex Connectors	46DVA-ADF	N/A	N/A	N/A	N/A	N/A	N/A

* Olympia Ventis DV applicable for the following units only: B36XTE, B36XTCE, B41XTE, B41XTCE, CV40E, CB40E, CC40E, CV72E, P36, P36E

FPI			
946-506/P	Vent Guard (Optional) for AstroCap	946-205	Vinyl Siding Shield for Riser Vent Terminal
**510-994	Rigid Pipe Adaptor (Must use with all rigid piping)	946-208/P	Vent Guard (Optional) for Riser Vent Terminal
640-530/P	Riser Vent Terminal	946-523/P	AstroCap Horizontal Cap
		946-206	Vinyl Siding Standoff for AstroCap

** The rigid pipe adaptor is not required on the C34, U39, H15, H27 & H35.

Note: When using Metal-Fab Sure Seal Rigid Piping - please note that the Adaptor (4DDA) must be used in conjunction with FPI Rigid Pipe Adaptor (510-994).

Offset Pipe Selection: Use this table to determine offset pipe lengths.				For specific instructions on venting components - visit the manufacturers website listed below. Simpson Direct Vent Pro: www.duravent.com Selkirk Direct-Temp: www.selkirkcorp.com American Metal Products: www.americanmetalproducts.com Metal-Fab Sure Seal: www.mtffab.com Security Secure Vent: www.securitychimneys.com Industrial Chimney Company: www.icc-rsf.com Olympia Ventic DV: www.olympiachimney.com
Pipe Length (L)	4" x 6-5/8" Venting			
	Run (X)	Rise (Y)		
0" (0mm)	4-7/8" (124mm)	13-7/8" (340mm)		
6" (152mm)	8" (203mm)	16-1/2" (419mm)		
9" (229mm)	10-1/8" (257mm)	18-5/8" (473mm)		
12" (305mm)	12-1/4" (311mm)	20-3/4" (527mm)		
24" (610mm)	20-5/8" (524mm)	29-1/8" (740mm)		
36" (914mm)	29" (737mm)	37-1/2" (953mm)		
48" (1219mm)	37-7/16" (951mm)	45-15/16" (1167mm)		

Note: Horizontal runs of vent must be level, or have a 1/4" rise for every 1 foot of run towards the termination. Never allow the vent to run downward - this could cause high temperatures and may present a possible fire hazard.

**5" X 8" RIGID PIPE
CROSS REFERENCE CHART ONLY**

Components from different Manufacturers may not be mixed. Not all Rigid Pipe components are available directly from FPI.

Description	Simpson Direct Vent Pro®	Selkirk Direct Temp™	Metal-Fab™ Sure Seal	ICC Excel Direct	Olympia Ventis DV*
6" Pipe Length-Galvanized	58DVA-06	5DT-6	5D6	TC-5DL6	VDV-0506
6" Pipe Length-Black	58DVA-06B	5DT-6B	5D6B	TC-5DL6B	VDVB-0506
9" Pipe Length-Galvanized	58DVA-09	5DT-9	N/A	TC-5DL9	VDV-0509
9" Pipe Length-Black	58DVA-09B	5DT-9B	N/A	TC-5DL9B	VDVB-0509
12" Pipe Length-Galvanized	58DVA-12	5DT-12	5D12	TC-5DL1	VDV-0512
12" Pipe Length-Black	58DVA-12B	5DT-12B	5D12B	TC-5DL1B	VDVB-0512
18" Pipe Length-Galvanized	58DVA-18	5DT-18	5D18	TC-5DL18	VDV-0518
18" Pipe Length-Black	58DVA-18B - N/A from FPI	5DT-18B	5D18B	TC-5DL18B	VDVB-0518
24" Pipe Length-Galvanized	58DVA-24	5DT-24	5D24	TC-5DL2	VDV-0524
24" Pipe Length-Black	58DVA-24B	5DT-24B	5D24B	TC-4DL2B	VDVB-0524
36" Pipe Length-Galvanized	58DVA-36	5DT-36	5D36	TC-5DL3	VDV-0536
36" Pipe Length-Black	58DVA-36B	5DT-36B	5D36B	TC-5DL3B	VDVB-0536
48" Pipe Length-Galvanized	58DVA-48	5DT-48	5D48	TC-5DL4	N/A
48" Pipe Length-Black	58DVA-48B	5DT-48B	5D48B	TC-5DL4B	N/A
60" Pipe Length-Galvanized	58DVA-60	N/A	N/A	N/A	N/A
60" Pipe Length-Black	58DVA-60B - N/A from FPI	N/A	N/A	N/A	N/A

Adjustable Length 3"-10"-Galvanized	N/A	N/A	5DAL	TC-5DLT	N/A
Adjustable Length 3"-10"-Black	N/A	N/A	5DALB	TC-5DLTB	N/A
Adjustable Length 11"-14" -Galvanized	Disc. - See 58DV-08A	5DT-AJ	N/A	N/A	N/A
Adjustable Length 11"-14" -Black	Disc. - See 58DV-08B	5DT-AJB	N/A	N/A	N/A
Extension Pipe 17"-24" -Galvanized	Disc. - See 58DV-16A	N/A	N/A	N/A	N/A
Extension Pipe 17"-24" -Black	Disc. - See 58DV-16AB	N/A	N/A	N/A	N/A
Adjustable Length 8-1/2"-Galvanized	58DVA-08A - N/A from FPI	N/A	N/A	N/A	N/A
Adjustable Length 8-1/2"-Black	58DVA-08AB	N/A	N/A	N/A	N/A
Extension Pipe 16"-Galvanized	58DVA-16A - N/A from FPI	N/A	N/A	N/A	N/A

45° Elbow-Galvanized	58DVA-E45	5DT-EL45	5DT-EL45	TE-5DE45	VDV-EL0545
45° Elbow-Black	58DVA-E45B	5DT-EL45B	5DT-EL45B	TE-5DE45B	VDVB-EL0545
45° Elbow Swivel-Galvanized	Disc. - See 58DVA-E45	N/A	N/A	N/A	N/A
45° Elbow Swivel-Black	Disc. - See 58DVA-E45B	N/A	N/A	N/A	N/A
90° Elbow-Galvanized	58DVA-E90	5DT-EL90S	5DT-EL90S	TE-5DE90	VDV-EL0590
90° Elbow-Black	58DVA-E90B	5DT-EL90SB	5DT-EL90SB	TE-5DE90B	VDV-EL0590
90° Elbow, Swivel-Galvanized	Disc. - See 46DVA-E45	N/A	N/A	N/A	N/A
90° Elbow, Swivel-Black	Disc. - See 46DVA-E45	N/A	N/A	N/A	N/A
90° Starter Elbow, Swivel-Galvanized	N/A	N/A	N/A	N/A	N/A
Adaptor*	N/A	N/A	N/A	N/A	VDV-UAA05

Ceiling Support	58DVA-DC	5DT-CS	5DSP	TM-5RDS	VDV-CSR05
Cathedral Support Box	58DVA-CS	5DT-CSS	5DRS	TM-5SS	DV-CSS05
Wall Support/Band	58DVA-WS	5DT-WS/B	5DWS	TM-5WS	VDV-WS05
Offset Support	58DVA-ES - N/A from FPI	5DT-OS	N/A	TM-5OS	N/A
Wall Thimble-Black	58DVA-WT	5DT-WT	5DWT	N/A	VDV-WPT05
Wall Thimble Support/Ceiling Support	58DVA-DC - N/A from FPI	N/A	N/A	N/A	N/A
Firestop Spacer	58DVA-FS	5DT-FS	5DFS	TM-5LS	VDV-FS05
Trim Plate-Black	58DAV-WFS	5DT-TP	5DCP	TM-5TP	VDV-WTC05

Description	Simpson Direct Vent Pro®	Selkirk Direct Temp™	Metal-Fab™ Sure Seal	ICC Excel Direct	Olympia Ventis DV*
Attic Insulation Shield 12"	58DVA-IS N/A from FPI	N/A	N/A	N/A	VDV-AIS05

Basic Horizontal Termination Kit (A)	N/A	5DT-HKA	N/A	TM-5HTK	VDV-KW05
Horizontal Termination Kit (B)	58DVA-KHA	5DT-HKB	N/A	TM-5HTK	VDV-K05
Vertical Termination Kit	58DVA-VHA	5DT-VKC	N/A	N/A	N/A

High Wind Vertical Cap	58DVA-VCH	N/A	N/A	TM-5VT	VDV-VCH05
High Wind Horizontal Cap	N/A	N/A	N/A	TM-5DHT	N/A
Horizontal Square Termination Cap	N/A	5DT-HHC	5DHT	TM-5HT	VDV-HC05
Vertical Termination Cap	N/A	5DT-HVC	5DVT	N/A	N/A
Storm Collar	58DVA-SC	5DT-SC	5DSC	TM-SC	VDV-SC05

Adjustable Flashing 0/12-6/12	58DVA-F6	5DT-AF6	5DF	TF-5FA	VDV-F0506
Adjustable Flashing 6/12-12/12	58DVA-F12	5DT-AF12	5DF1-2	TF-5FB	VDV-F0512

Vinyl Siding Standoff	58DVA-VSS	5DT-VS	5DVS	TM-VSS	VDV-SSO
Vinyl Siding Shield Plate	N/A	5DT-VSP	N/A	N/A	N/A

Snorkel Termination 14"	58DVA-SNK14	N/A	N/A	TM-5ST14	N/A
Snorkel Termination 36"	58DVA-SNK36 (N/A - FPI)	N/A	N/A	TM-5ST36	N/A

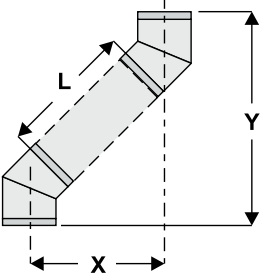
Restrictor Disk	58DVA-RD	N/A	N/A	TM-5DS	N/A
Colinear Flex Connectors	N/A	N/A	N/A	N/A	N/A

FPI					
946-604/P	Simpson Direct Vent or Astro Cap -Vent Guard (Optional)		946-623/P	AstroCap XL Horizontal Cap	
770-994	Rigid Pipe Adaptor (Must use with all rigid piping)		**946-506/P	Vent Guard (Optional)	
**946-606	Starter collar reducer 5" x 8" to 4" x 6-5/8" (B36XTE, B36XTCE ONLY)		946-625	Vinyl Siding Standoff - AstroCap XL	

* Olympia Ventis DV applicable for the following units only: B36XTE, B36XTCE, B41XTE, B41XTCE, CV40E, CB40E, CC40E, CV72E, P36, P36E, U1500E

Note: When using Metal-Fab Sure Seal Rigid Piping - please note that the Adaptor (5DDA) must be used in conjunction with FPI Rigid Pipe Adaptor (770-994).

**** Not available/applicable for the following units: B41XTE, B41XTCE, CV72E, HZ54E, U1500E**

Offset Pipe Selection: Use this table to determine offset pipe lengths.			
Pipe Length (L)	5" x 8" Venting		
	Run (X)	Rise (Y)	
0" (0mm)	5-11/16" (144mm)	15-5/16" (389mm)	<p>For specific instructions on venting components - visit the manufacturers website listed below.</p> <p>Simpson Direct Vent Pro: www.duravent.com</p> <p>Selkirk Direct-Temp: www.selkirkcorp.com</p> <p>Metal-Fab Sure Seal: www.mtlfab.com</p> <p>Industrial Chimney Company: www.icc-rsf.com</p> <p>Olympia Ventic DV: www.olympiachimney.com</p> <p>Note: Horizontal runs of vent must be level, or have a 1/4" rise for every 1 foot of run towards the termination. Never allow the vent to run downward - this could cause high temperatures and may present a possible fire hazard.</p>
6" (152mm)	8-13/16" (224mm)	18-7/16" (468mm)	
9" (229mm)	10-15/16" (278mm)	20-9/16" (522mm)	
12" (305mm)	13" (330mm)	22-11/16" (576mm)	
24" (610mm)	21-7/16" (697mm)	31-1/16" (789mm)	
36" (914mm)	29-13/16" (757mm)	39-7/16" (1002mm)	
48" (1219mm)	38-1/4" (972mm)	47-7/8" (1216mm)	

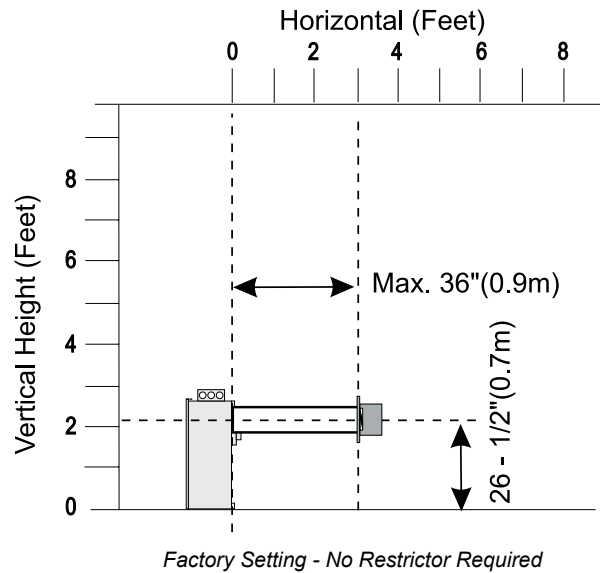
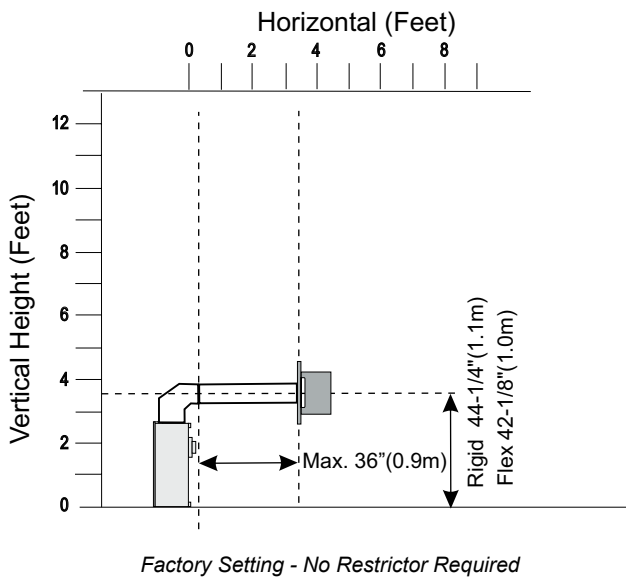
VENTING ARRANGEMENTS FOR HORIZONTAL TERMINATIONS FLEX VENT OR RIGID PIPE 5" X 8"

The Diagrams show all allowable combinations of vent runs with 5" x 8" venting using the Regency direct vent system or rigid vent system. A vent guard should be used whenever the termination is lower than the specified minimum or as per local codes.

For horizontal terminations the Regency Direct Vent Flex System may be used for installations with a maximum continuous vent maximum horizontal length of 3ft (0.9m).

Note: Must use optional rigid pipe adaptor (Part # 770-994) when using Rigid Pipe vent systems.

- Maintain clearance to combustibles.
- Horizontal vent must be supported every 3 feet.
- Firestops are required at each floor level and whenever passing through a wall.



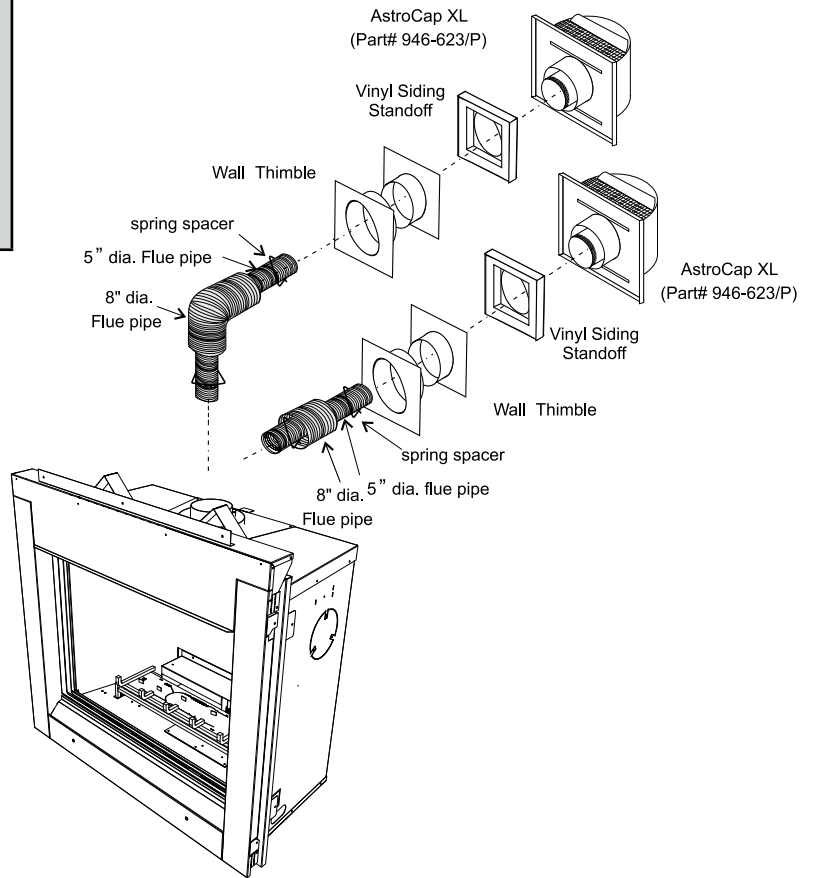
HORIZONTAL TERMINATIONS
FLEX VENT 5" X 8"

These venting systems, in combination with the B36XTCE Direct Vent Gas Fireplace, has been tested and listed as a direct vent heater system by Intertek. The location of the termination cap must conform to the requirements in the Vent Terminal Locations Diagram in "Exterior Vent Termination Locations" section.

Regency® Direct Vent (Flex) System 4 foot Termination Kit (Part# 946-615) includes all the parts needed to install the B36XTCE with a either a top or rear vent.

Note: If top venting this unit, the 5" x 8" venting may only be used if venting to the minimum of 42-1/3" to center line. No other application is approved.

FPI Kit #	Length	Contains:
#946-615	4 Feet	1. 8" flexible liner (Kit length) 2. 5" flexible liner (Kit length) 3. spring spacers 4. thimble 5. AstroCap termination cap 6. screws 7. tube of Mill Pac 8. plated screws 9. S.S. screws #8 x 1-1/2" drill point 10. vinyl siding standoff

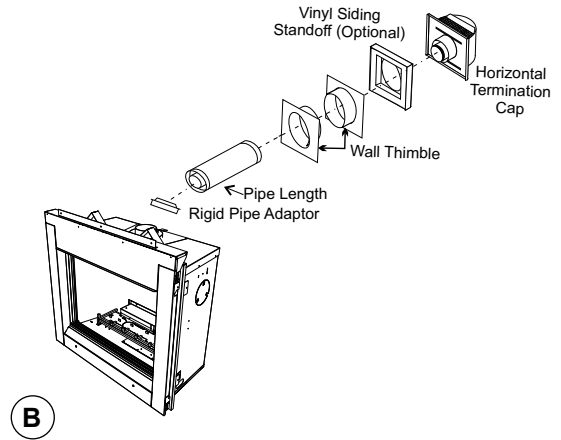
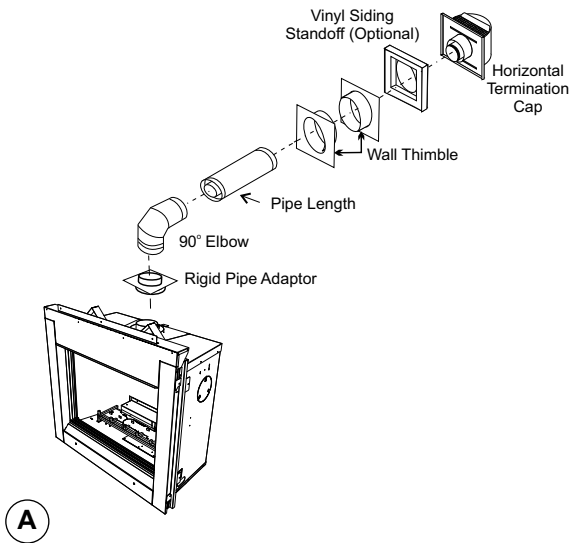


1. 8" dia. flexible liner (4 ft. length)
2. 5" dia. flexible liner (4 ft. length)
3. spring spacers (4)
4. thimble
5. AstroCapXL termination cap (1)
6. screws (12)
7. tube of Mill Pac (1)
8. plated screws (8)
9. screws #8 x 1-1/2" Drill Point, Stainless Steel (4)
10. vinyl siding standoff

Notes:

1. Liner sections should be continuous without any joints or seams.
2. Only Flex pipe purchased from Regency may be used for Flex installations.
3. Regency® Direct Vent System (Flex) is only approved for horizontal terminations.

HORIZONTAL TERMINATIONS
RIGID PIPE 5" X 8"

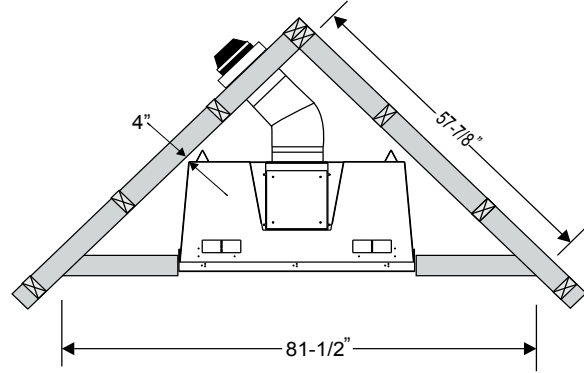


Horizontal Termination	
A	<p>Top Vent - No Vertical Rise</p> <ul style="list-style-type: none"> • When venting with a 90° elbow directly off the unit, must use 5" X 8" AstroCapXL™ Flex vent or approved Rigid Vent System • Max. 3 ft. horizontal run
B	<p>Rear Vent w/ Horizontal Termination</p> <ul style="list-style-type: none"> • Can only use 5" x 8" venting • Max. 3ft. horizontal run

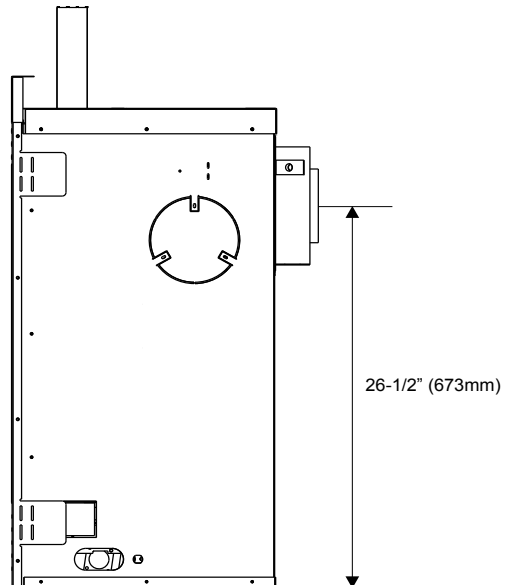
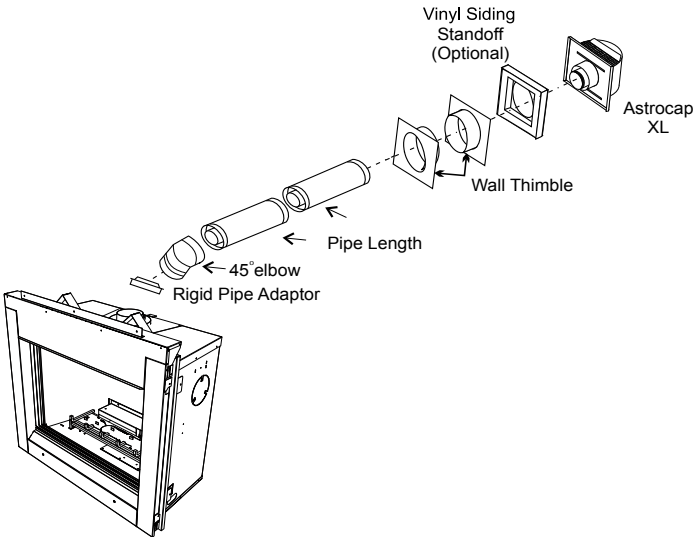
HORIZONTAL TERMINATIONS
ASTROCAP XL & RIGID REAR VENT KIT FOR CORNER INSTALLATIONS
RIGID PIPE 5" X 8"

Designed for a minimum vent configuration when using a rear vent application with a horizontal termination in a corner installation.

Kit 946-612 Includes		
1	AstroCap XL	946-623/P
1	Rigid Pipe Adaptor	770-994
1	Vinyl Siding Standoff (Optional)	946-625
1	Wall Thimble	58DVA-WT
1	6" galvanized rigid pipe	58DVA-06
1	8-1/2" galvanized pipe extension	58DVA-08A
1	45° galvanized elbow	58DVA-E45
1	90 ml MillPac	948-128



Placement of the unit into the corner	
Back top corner of unit to wall	4"
Inside corner out along the wall	57-7/8"
Across the face of the unit, wall to wall	81-1/2"

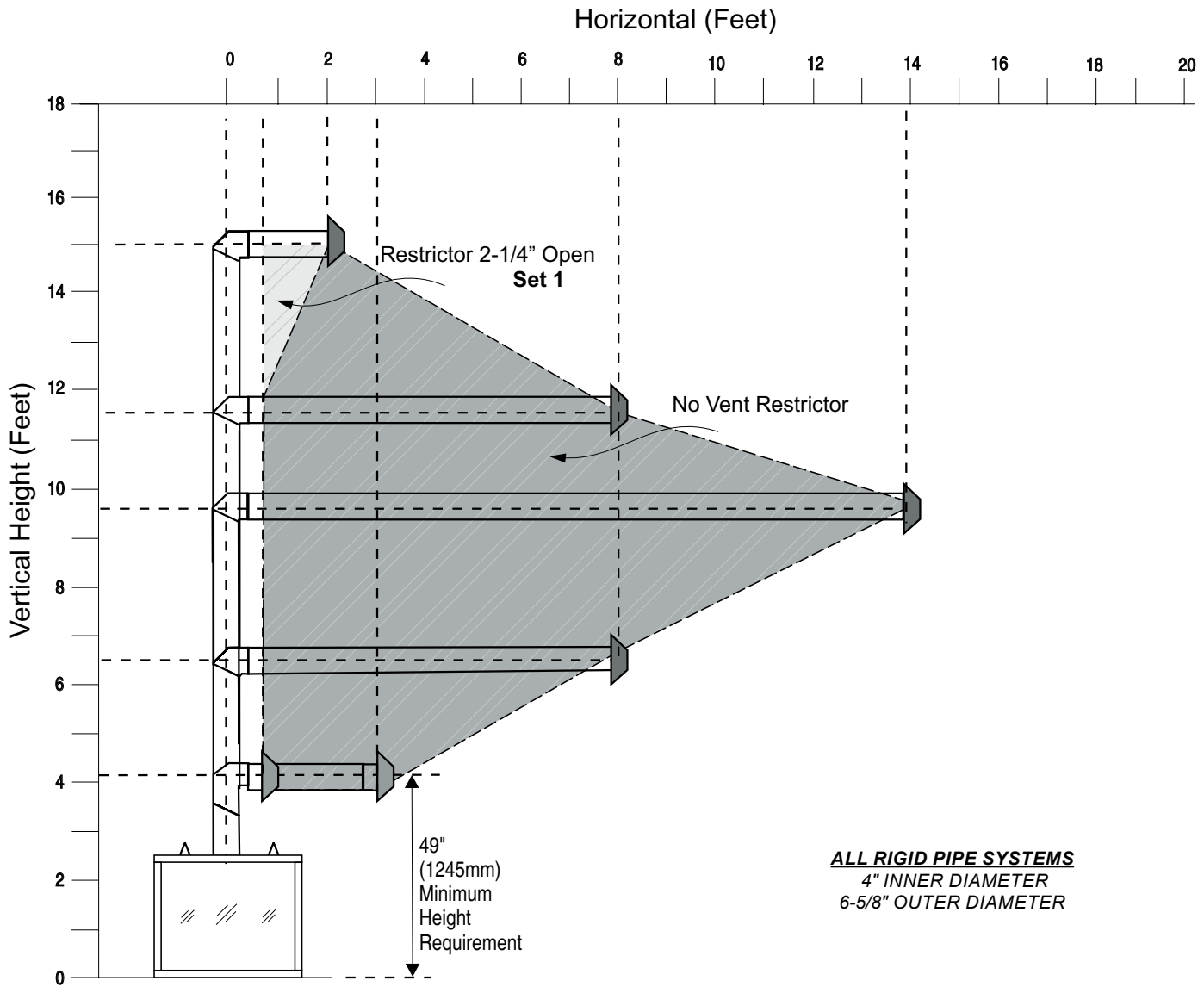


VENTING ARRANGEMENTS FOR HORIZONTAL TERMINATIONS

RIGID PIPE 4" X 6-5/8"

(MUST USE REDUCER & RIGID PIPE ADAPTOR (PARTS # 946-606 & 770-994))

The diagram shows all allowable combinations of vertical runs with horizontal terminations, using one 90° (two 45° elbows equal one 90° elbow).



- Maintain clearances to combustibles as listed in "Clearances" section
- Horizontal vent must be supported every 3 feet.
- Firestops are required at each floor level and whenever passing through a wall.
- A wall thimble is mandatory for all horizontal terminations due to high temperatures.

HORIZONTAL OR VERTICAL TERMINATIONS

RIGID PIPE 4" X 6-5/8"

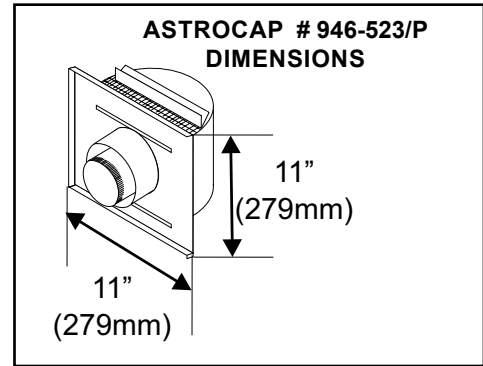
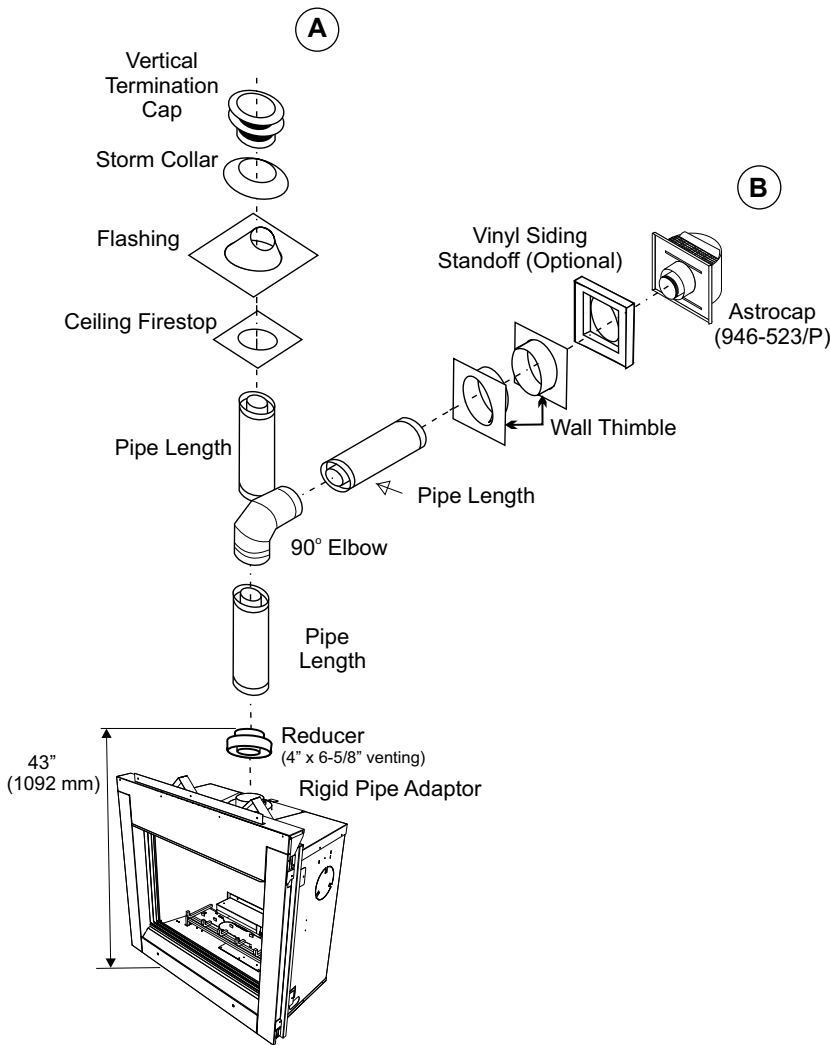
(MUST USE REDUCER PART # 946-606 & 770-994 RIGID PIPE ADAPTOR)

The minimum components required for a basic horizontal termination using 4" x 6-5/8" are:

- 1 Rigid Pipe Adaptor (770-994)
- 1 Reducer (946-606)
- 1 90° Elbow
- 1 Wall Thimble
- 1 Length of pipe to suit wall thickness
- 1 Horizontal Termination Cap

Wall thickness is measured from the back standoffs to the inside mounting surface of termination cap. For siding other than vinyl furring strips may be used, instead of the vinyl siding standoff, to create a level surface to mount the vent terminal. The Terminal must not be recessed into siding. Measure the wall thickness including furring strips.

If a Vinyl Siding Standoff is required (it must be used with vinyl siding), measure to outside surface of wall without siding and add 2 inches.



WARNING:

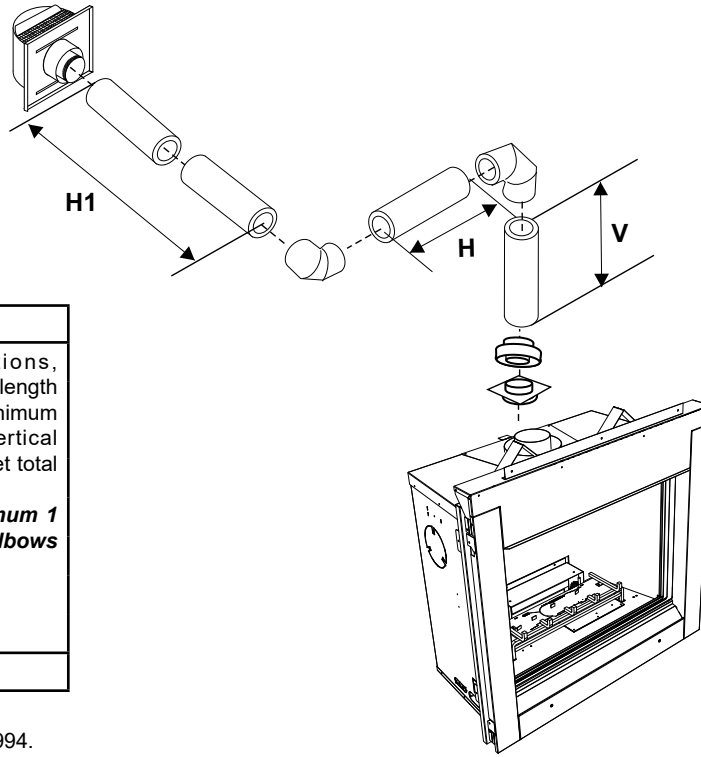
Do not combine venting components from different venting systems.

However use of the the AstroCap™ and Regency Riser is acceptable with all systems.

This product has been evaluated by Intertek when using a rigid pipe adaptor and use of any of the specific chimney systems listed in this manual. Use of these systems with the rigid pipe adaptor is deemed acceptable and does not affect the Intertek WHI listing of these components.

The Regency AstroCap™ and Regency Riser Vent terminal are certified for installations using Regency venting systems as well as any specific chimney systems listed in this manual. AstroCap™ is a proprietary trademark of Regency Fireplace Products.

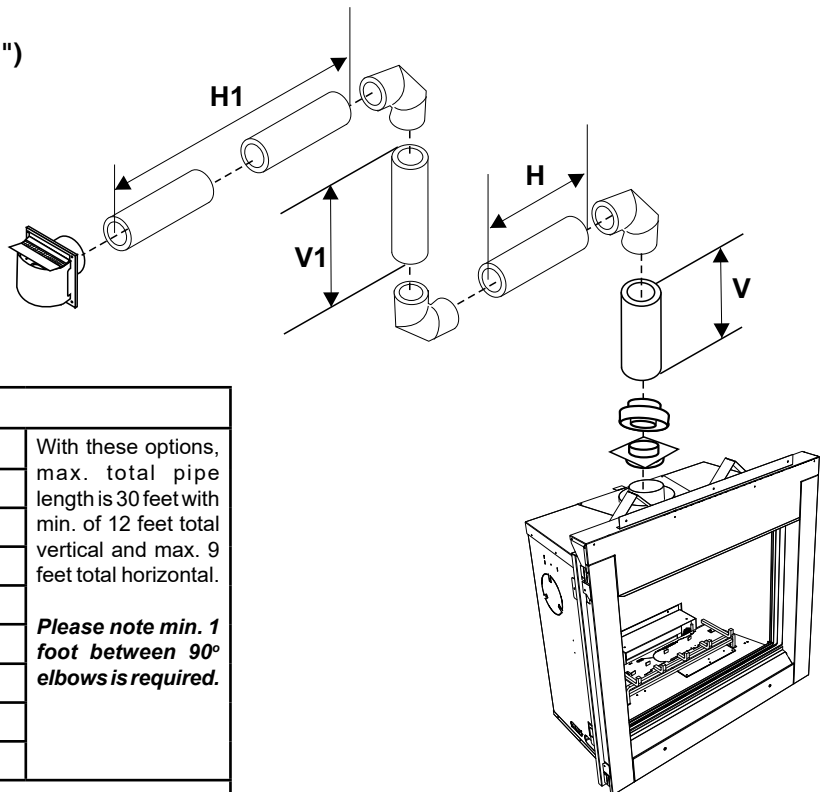
HORIZONTAL TERMINATIONS TWO (2) 90° ELBOWS (RIGID PIPE 4" X 6 - 5/8")



One 90° elbow = Two 45° elbows.			
Option	V	H + H1	With these options, maximum total pipe length is 30 feet with minimum of 6 feet total vertical and maximum 8 feet total horizontal. Please note minimum 1 foot between 90° elbows is required.
A)	0' Min.	2' Max.	
B)	1' Min.	3' Max.	
C)	2' Min.	4' Max.	
D)	3' Min.	5' Max.	
E)	4' Min.	6' Max.	
F)	5' Min.	7' Max.	
G)	6' Min.	8' Max.	
No Vent Restrictor Installed			

Lengths do not include elbow indicated.
Must use reducer # 946-606 and rigid pipe adaptor #770-994.

HORIZONTAL TERMINATIONS THREE (3) 90° ELBOWS (RIGID PIPE 4" X 6 - 5/8")



One 90° elbow = Two 45° elbows.					
Option	V	H	V + V1	H + H1	With these options, max. total pipe length is 30 feet with min. of 12 feet total vertical and max. 9 feet total horizontal. Please note min. 1 foot between 90° elbows is required.
A)	0' Min.	1' Max.	1' Min.	2' Max.	
B)	1' Min.	2' Max.	3' Min.	3' Max.	
C)	2' Min.	2' Max.	5' Min.	4' Max.	
D)	3' Min.	2' Max.	7' Min.	5' Max.	
E)	4' Min.	3' Max.	9' Min.	6' Max.	
F)	5' Min.	4' Max.	10' Min.	7' Max.	
G)	6' Min.	5' Max.	11' Min.	8' Max.	
H)	7' Min.	6' Max.	12' Min.	9' Max.	
No Vent Restrictor Installed					

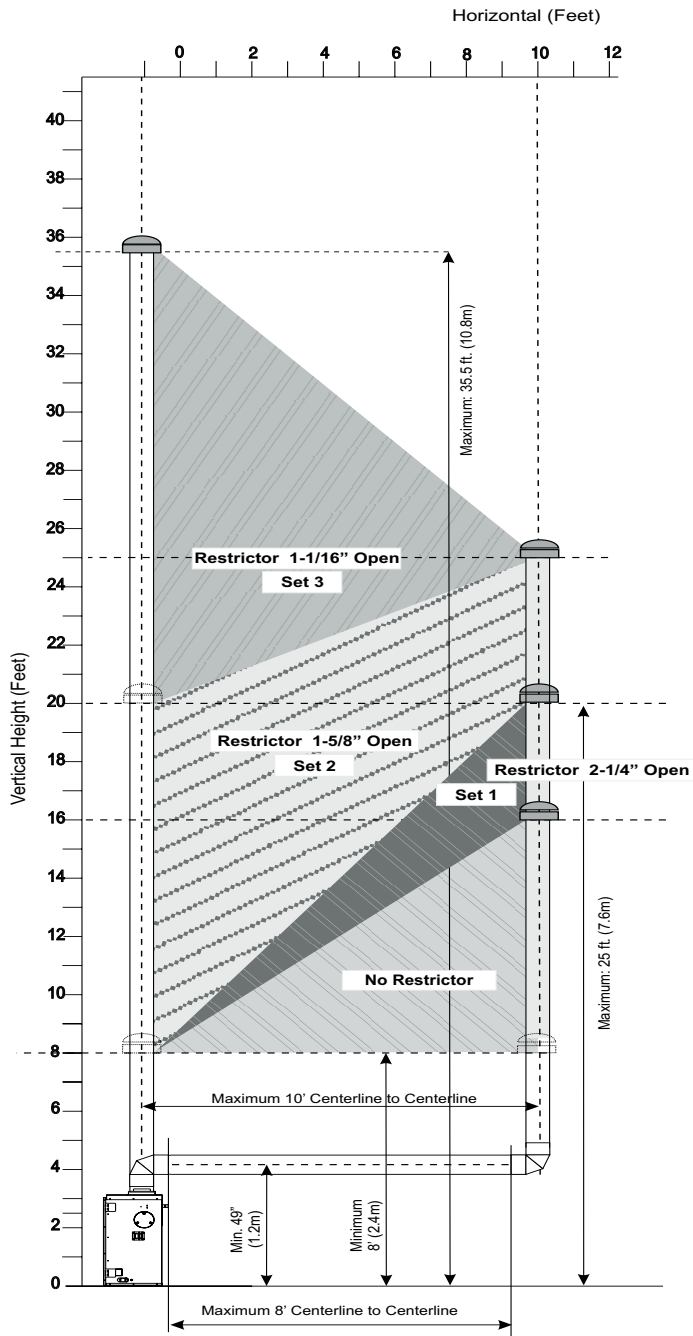
Lengths do not include elbow indicated.
Must use reducer # 946-606 and rigid pipe adaptor #770-994.

VENTING ARRANGEMENTS FOR VERTICAL TERMINATIONS

RIGID PIPE 4" X 6-5/8"

(MUST USE REDUCER PART # 946-606 & 770-994 RIGID PIPE ADAPTOR)

The shaded area in the Diagram shows all allowable combinations of straight vertical and offset to vertical terminations, using two 90° elbows, with **Rigid Pipe Venting Systems** for Propane and Natural Gas. Two 45° elbows equal to one 90° elbow. Maximum of four 45° elbows allowed.



- Vent must be supported at offsets.
- Firestops are required at each floor level and whenever passing through a wall.
- Maintain clearances to combustibles as listed in the "Clearances" section.
- Refer to the "Vent Restrictor Position" section for details on how to change the vent restrictor from the factory setting to 2-1/4" opening, 1-5/8" opening and to 1-1/16" opening.

Note: Must use optional flue adapter when using Rigid Pipe (Part # 770-994).

VERTICAL TERMINATIONS

THREE (3) 90° ELBOWS (RIGID PIPE 4" X 6 - 5/8")

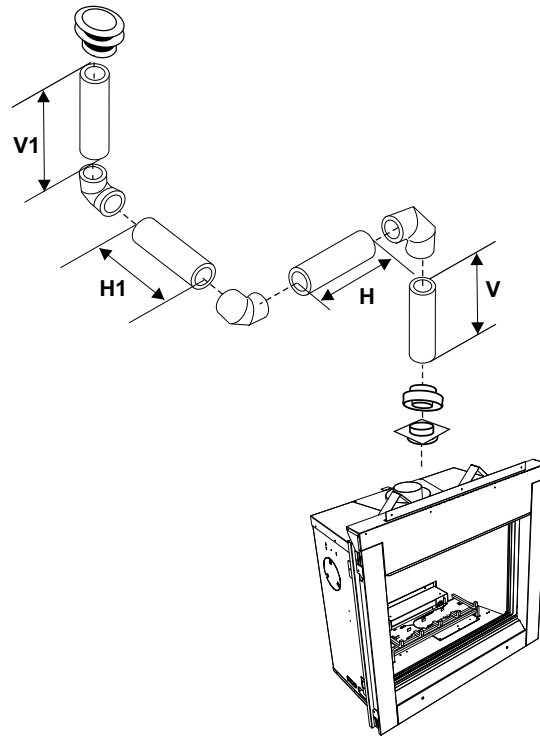
One 90° elbow = Two 45° elbows.

Option	V	H + H1	V + V1	
A)	0' Min.	2' Max.	2' Min.	With these options, max. total pipe length is 30 feet with min. of 10 feet total vertical and max. 8 feet total horizontal. Please note min. 1 foot between 90° elbows is required.
B)	1' Min.	2' Max.	3' Min.	
C)	2' Min.	3' Max.	4' Min.	
D)	3' Min.	4' Max.	6' Min.	
E)	4' Min.	5' Max.	7' Min.	
F)	5' Min.	6' Max.	8' Min.	
G)	6' Min.	7' Max.	9' Min.	
H)	7' Min.	8' Max.	10' Min.	

No Vent Restrictor Installed

Lengths do not include elbow indicated.

Must use reducer # 946-606 and rigid pipe adaptor #770-994



VENTING ARRANGEMENTS WITH CO-LINEAR FLEX SYSTEM

THE APPLIANCE MUST NOT BE CONNECTED TO A CHIMNEY FLUE SERVING A SEPARATE SOLID FUEL BURNING APPLIANCE.

This appliance is designed to be attached to two 3" (76mm) co-linear aluminium flex running the full length of the chimney. See the Venting Arrangements on next page for minimum and maximum heights.

Required Parts:

Part #	Description
946-529	Co-linear DV Vertical Termination Cap
948-305	3" Flex - 35 ft.
946-563	Co-Axial to Co-Linear Adapter Kit which contains the following: Co-linear Flex Adapter Outer Pipe Inner Pipe Adapter
770-994	Rigid Pipe Adaptor
946-606	Vent Reducer

Alternate Approved Caps

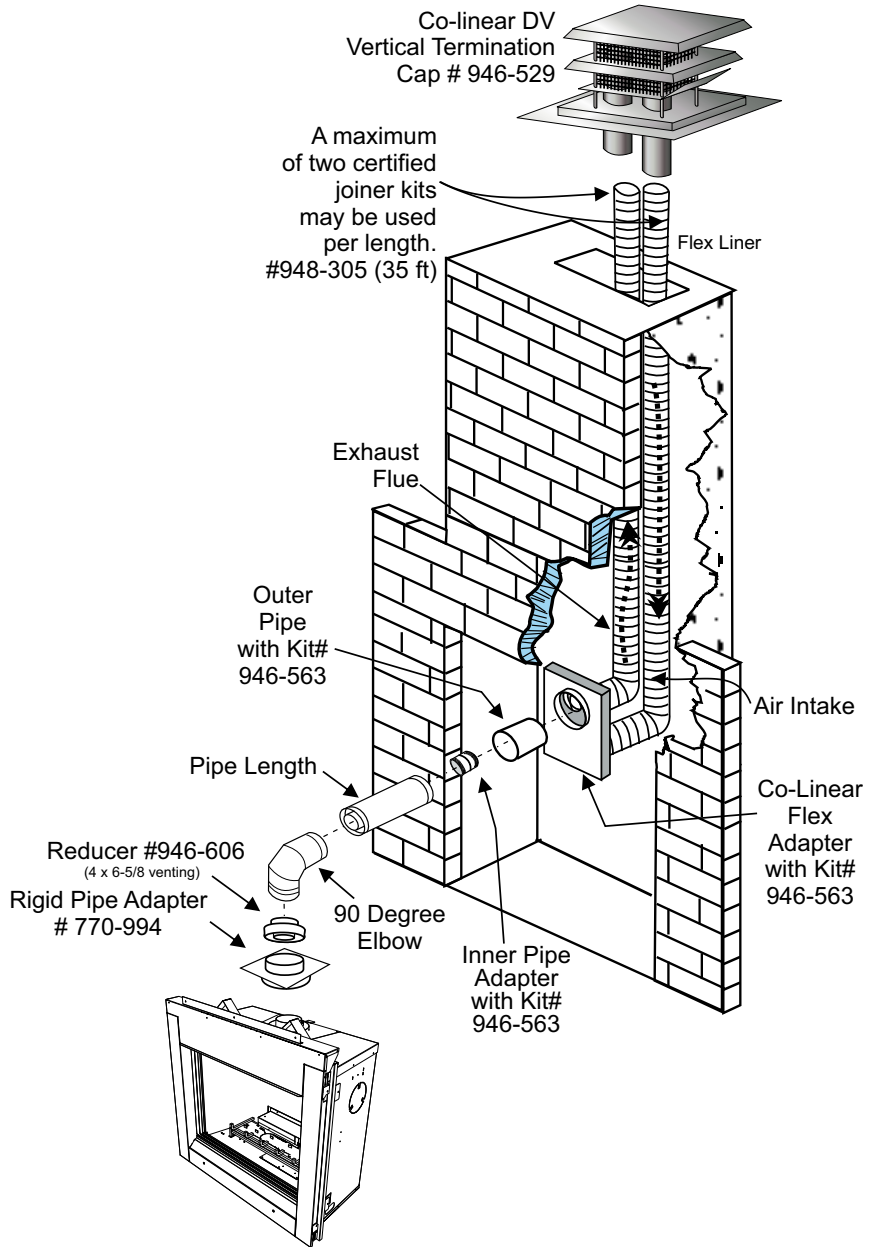
46dva-VC	Vertical Termination Cap
46dva-VCH	High Wind Cap
46dva-GK	3" Co-linear Adapter with flashing

NOTE:

See detailed venting arrangements, vertical terminations, co-linear flex system into masonry fireplaces in this manual.

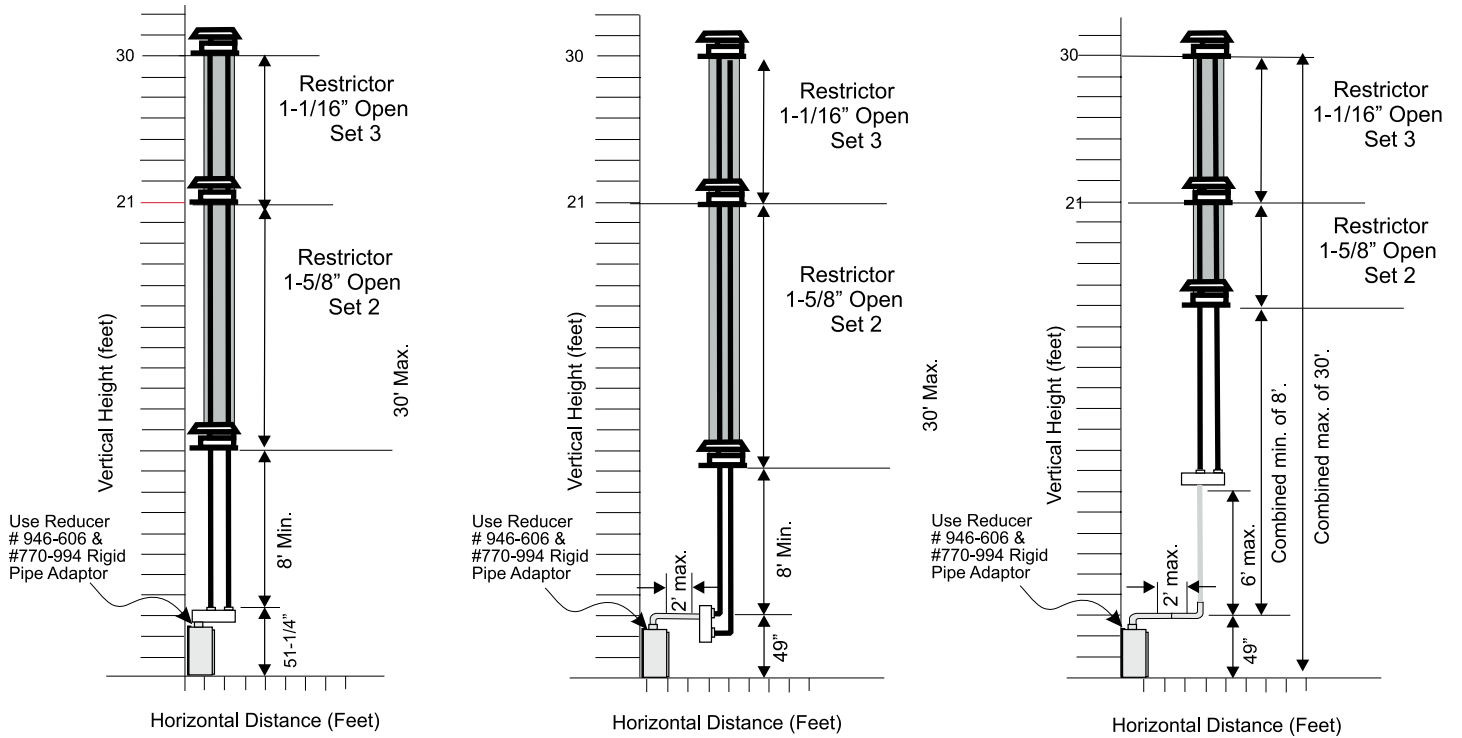
Masonry chimneys may take various contours which the flexible liner will accommodate. However, **keep the flexible liner as straight as possible**, avoid unnecessary bending.

The Air Intake pipe must be attached to the inlet air collar of the termination cap.



**VERTICAL TERMINATIONS
CO-LINEAR FLEX SYSTEM INTO MASONRY FIREPLACES**

FOR BOTH RESIDENTIAL & MANUFACTURED HOMES



The shaded area in the Diagrams show the allowable vertical terminations.

UNIT INSTALLATION WITH HORIZONTAL TERMINATION

4" X 6-5/8" OR 5" X 8" VENTING
(Rigid Vent Systems)

Minimum Vent Clearances to Combustibles

* Clearances noted below must be maintained; except when passing through a wall, ceiling or at the termination where the use of a firestop or wall thimble reduces clearance to 1-1/2" (38mm).

Horizontal Top*	2" (51mm)*
Horizontal Side	1-1/2" (38mm)
Horizontal Bottom	1-1/2" (38mm)
Vertical Vent	1-1/2" (38mm)

Below are the recommended framing dimensions (inside measurements) for the 4" x 6-5/8" and 5" x 8" rigid vent terminations - for use with a firestop or wall thimble.

Recommended Framed Opening Size	
Vent Size	Framing Size
4" x 6 - 5/8"	10" x 10"
5" x 8"	11" x 11"

Install the vent system according to the manufacturer's instructions included with the components.

- 1) Set the unit in its desired location. Check to determine if wall studs or roof rafters are in the way when the venting system is attached. If this is the case, you may want to adjust the location of the unit. Rough in the gas preferably on the right side of the unit and the electrical (junction block is on the left side) on the left.
- 2) Direct Vent pipe and fittings are designed with special twist-lock connections to connect the venting system to the appliance flue outlet. A twist-lock appliance adaptor is required.
- 3) In conjunction with the Approved Vent system, install the adaptor after the unit is set in its desired location. Put a bead of Mill-Pac inside the outer section of the adaptor and on the inner collar. Slip the adaptor over the existing inner and outer flue collar. Fasten to the outer collar only with the 3 supplied screws (drilling pilot holes will make this easier).
- 4) Level the fireplace and fasten it to the framing using nails or screws through the top and side nailing strips.

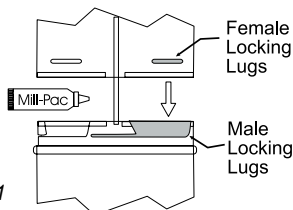


Diagram 1

- 5) Assemble the desired combination of pipe and elbows to the appliance adaptor and twist-lock for a solid connection.

Note: For best results and optimum performance with each approved venting system, it is highly recommended to apply "Mill-Pac" sealant (supplied) to every inner pipe connection. Failure to do so may result in drafting or performance issues not covered under warranty.

Horizontal runs of vent must be supported every 3 feet (0.9meter). Wall straps are available for this purpose.

- 6) Mark the wall for a square hole.-see chart to left for size. The center of the square hole should line up with the center-line of the horizontal pipe. Cut and frame the square hole in the exterior wall where the vent will be terminated. See Diagram 2 for center line requirements.

If the wall being penetrated is constructed of non-combustible material, i.e. masonry block or concrete, an 8" (203mm) diameter hole is acceptable.

Note:

- a) The horizontal run of vent must be level, or have a 1/4 inch rise for every 1 foot of run towards the termination. Never allow the vent to run downward. This could cause high temperatures and may present the possibility of a fire.
- b) The location of the horizontal vent termination on an exterior wall must meet all local and national building codes, and must not be blocked or obstructed. See "Exterior Vent Termination Locations" section for more details.

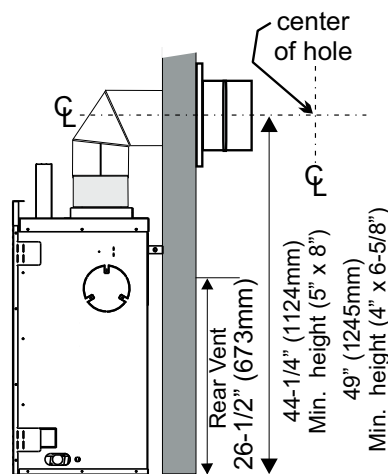


Diagram 2

- 7) Ensure that the pipe clearances to combustible materials are maintained (Diagram 3). Install the termination cap.

Note: If installing termination on a vinyl siding covered wall, a vinyl siding standoff or furring strips must be used to ensure that the termination is not recessed into the siding.

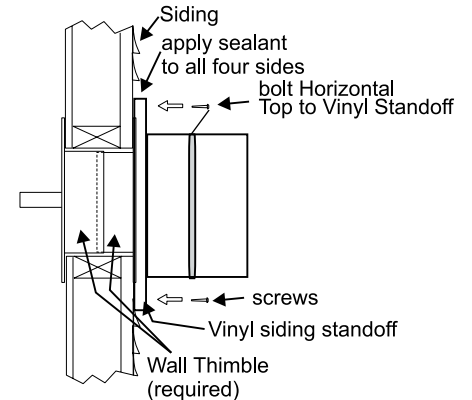


Diagram 3

The four wood screws provided should be replaced with appropriate fasteners for stucco, brick, concrete, or other types of sidings.

- 8) Before connecting the horizontal run of vent pipe to the vent termination, slide the Wall Thimble over the vent pipe. The wall thimble is required for all horizontal terminations.
- 9) Slide the appliance and vent assembly towards the wall carefully inserting the vent pipe into the vent cap assembly. It is important that the vent pipe extends into the vent cap sufficient distance so as to result in a minimum pipe overlap of 1-1/4 inches (32mm). Secure the connection between the vent pipe and the vent cap.
- 10) Install wall thimble in the center of the framed hole and attach with wood screws (Diagram 4).

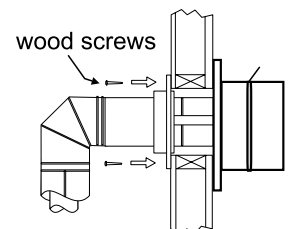
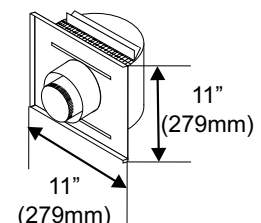


Diagram 4

ASTROCAP # 946-523/P DIMENSIONS



UNIT INSTALLATION WITH HORIZONTAL TERMINATION 5" X 8" VENTING (Flex Vent Systems)

Minimum Vent Clearances to Combustibles

* Clearances noted below must be maintained; except when passing through a wall, ceiling or at the termination where the use of a firestop or wall thimble reduces clearance to 1-1/2" (38mm).

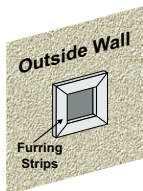
Horizontal Top	2" (51mm)
Horizontal Side	1-1/2" (38mm)
Horizontal Bottom	1-1/2" (38mm)
Vertical Vent	1-1/2" (38mm)

Below are the recommended framing dimensions (inside measurements) for the 4" x 6-5/8" and 5" x 8" rigid vent terminations - for use with a firestop or wall thimble.

Recommended Framed Opening Size	
Vent Size	Framing Size
5" x 8"	11" x 11"

- 1) Locate the unit in the framing, rough in the gas (preferably on the right side of the unit). Locate the centerline of the termination and mark wall accordingly. Cut an square hole in the wall - see chart (inside dimension).

Note: If installing termination on a siding covered wall, a vinyl siding standoff or vinyl furring strips must be used to ensure that the termination is not recessed into the siding.

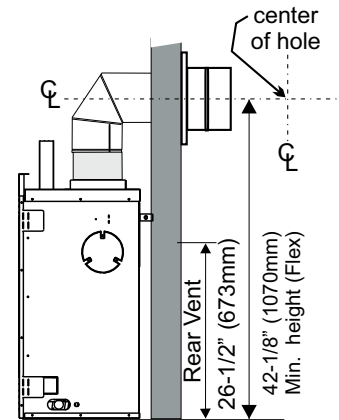
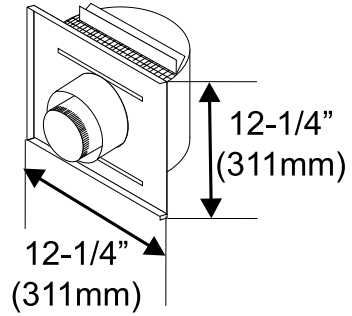


- 2) Level the fireplace and fasten it to the framing using nails or screws through the nailing strips.
- 3) Assemble the vent assembly by applying Mill-Pac to the inner flue collar of the termination and slipping the inner flex liner over it at least 1-3/8" (35mm). Fasten with the 3 screws (drilling pilot holes will make this easier). Apply Mill-Pac to the outer flex pipe and slip it over the outer flue collar of the vent terminal at least 1-3/8" (35mm) and fasten with the 3 screws.

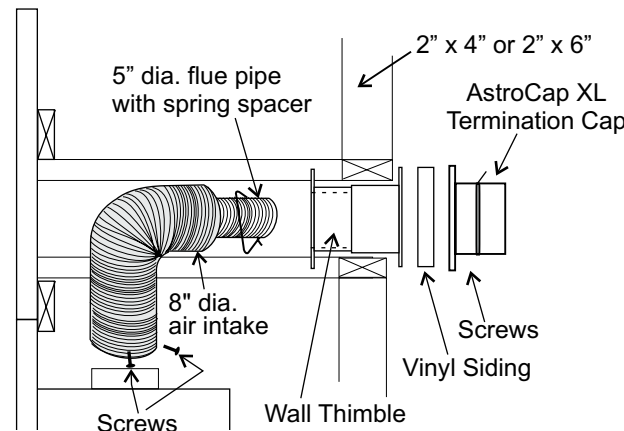
NOTE: Horizontal sections must be supported at intervals not exceeding 3 feet (0.9 meter). (Flame picture and performance will be affected by sags in the liner).

- 4) Separate the 2 halves of the wall thimble and securely fasten the one with the tabs to the outside wall making sure that the tabs are on top and bottom. Fasten the other thimble half to the inside wall. The thimble halves slip inside each other and can be adjusted for 2 x 4 or 2 x 6 walls.
- 5) Slip the assembled liner and termination assembly through the thimble making sure the termination cap faces up (there are markings on the cap that show which way is up). This will position the termination cap with proper down slope for draining water. Fasten the cap to the outer wall with the 4 supplied screws.
- 6) Pull the centre inner and outer flex liner out enough to slip over the flue collars of the fireplace. (You may wish to cut the liner shorter to make it more workable.) Do not bend liner more than 90°. **The liners must slip over the collars a minimum of 1-3/8".**
- 7) Apply Mill-Pac over the fireplace inner flue collar and slip the inner flex liner down over it and attach with 3 supplied screws.
- 8) Do the same with the outer flue collar and outer flex liner.
- 9) Apply a bead of silicone between the thimble and termination and around the outer edge of the terminal at the wall in order to keep the water out.

ASTROCAPXL DIMENSIONS (946-623/P)



IMPORTANT: Do not locate termination hood where excessive snow or ice buildup may occur. Be sure to check vent termination area after snow falls, and clear to prevent accidental blockage of venting system. When using snow blowers, make sure snow is not directed towards vent termination area.



UNIT INSTALLATION WITH VERTICAL TERMINATION

4" X 6-5/8" VENTING (Rigid Vent Systems)

(MUST USE REDUCER #946-606 AND RIGID PIPE ADAPTOR #770-994)

1) Maintain the 1-1/2" clearances (air spaces) to combustibles when passing through ceilings, walls, roofs, enclosures, attic rafter, or other nearby combustible surfaces. Do not pack air spaces with insulation. Check "Venting" Sections for the maximum vertical rise of the venting system and the maximum horizontal offset limitations.

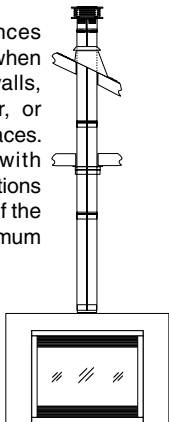


Diagram 1

2) Set the gas appliance in its desired location. Drop a plumb bob down from the ceiling to the position of the appliance flue exit, and mark the location where the vent will penetrate the ceiling. Drill a small hole at this point. Next, drop a plumb bob from the roof to the hole previously drilled in the ceiling, and mark the spot where the vent will penetrate the roof.

3) A Firestop spacer must be installed in the floor or ceiling of every level. To install the Firestop spacer in a flat ceiling or wall, cut a 10 inch square hole. Frame the hole as shown in Diagram 2 and install the firestop.

Note: All vertical terminations are vented using 4" x 6-5/8" venting and reducer #946-606 and rigid pipe adaptor #770-994.

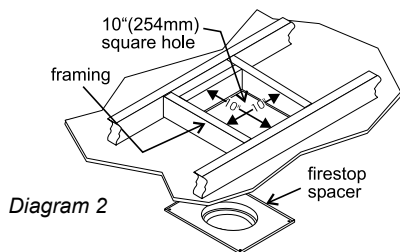
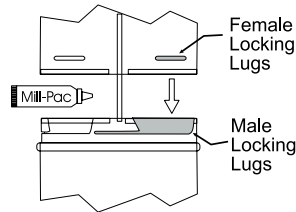


Diagram 2

4) Assemble the desired lengths of pipe and elbows. Ensure that all pipes and elbow connections are in the fully twist-locked position and sealed.



NOTE: For best results and optimum performance with each approved venting system, it is highly recommended to apply "Mill-Pac" sealant (supplied) to every inner pipe connection. Failure to do so may result in drafting or performance issues not covered under warranty.

5) Cut a hole in the roof centered on the small drilled hole placed in the roof in Step 2. The hole should be of sufficient size to meet the minimum requirements for clearance to combustibles of 1-1/2". Slip the flashing under the shingles (shingles should overlap half the flashing) as per Diagram 3.

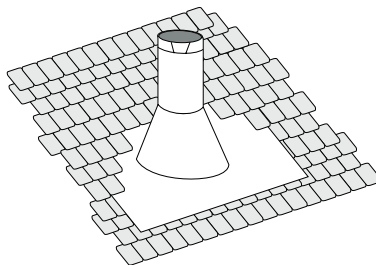


Diagram 3: The upper half of the flashing is installed under the roofing material and not nailed down until the chimney is installed. This allows for small adjustments.

6) Continue to assemble pipe lengths.

Note: If an offset is necessary in the attic to avoid obstructions, it is important to support the vent pipe every 3 feet, to avoid excessive stress on the elbows, and possible separation. Wall straps are available for this purpose.

Galvanized pipe is desirable above the roofline due to its higher corrosion resistance. Continue to add pipe sections through the flashing until the height of the vent cap meets the minimum height requirements specified in Dia. 4 or local codes. Note that for steep roof pitches, the vertical height must be increased. A poor draft, or down drafting can result from high wind conditions near big trees or adjoining roof lines, in these cases, increasing the vent height may solve the problem.

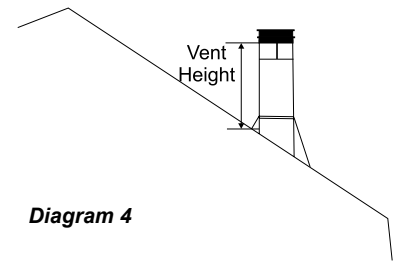


Diagram 4

Roof Pitch	Minimum Vent Height	
	Feet	Meters
flat to 7/12	2	0.61
over 7/12 to 8/12	2	0.61
over 8/12 to 9/12	2	0.61
over 9/12 to 10/12	2.5	0.76
over 10/12 to 11/12	3.25	0.99
over 11/12 to 12/12	4	1.22
over 12/12 to 14/12	5	1.52
over 14/12 to 16/12	6	1.83
over 16/12 to 18/12	7	2.13
over 18/12 to 20/12	7.5	2.29
over 20/12 to 21/12	8	2.44

- 7) Ensure vent is vertical and secure the base of the flashing to the roof with roofing nails, slide storm collar over the pipe section and seal with a mastic.
- 8) Install the vertical termination cap by twist-locking it.

Note: Any closets or storage spaces, which the vent passes through must be enclosed.

GAS LINE INSTALLATION

The gas line is brought through the right side of the appliance. The gas valve is situated on the right hand side of the unit and the gas inlet is on the right hand side of the valve.

The gas line connection may be made of rigid pipe, copper pipe or an approved flex connector. (If you are using rigid pipe, ensure that the valve can be removed for servicing.) Since some municipalities have additional local codes it is always best to consult with your local authorities and the CAN/CGA B149 installation code.

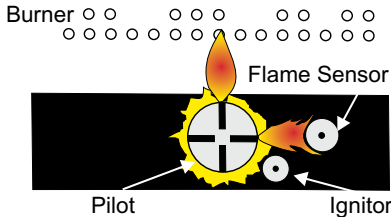
For USA installations follow local codes and/or the current National Fuel Gas Code, ANSI Z223.1.

When using copper or flex connectors use only approved fittings. Always provide a union so that gas lines can be easily disconnected for servicing. Flare nuts for copper lines and flex connectors are usually considered to meet this requirement.

Important: Always check for gas leaks with a soap and water solution or gas leak detector. Do not use open flame for leak testing.

PILOT ADJUSTMENT

Periodically check the pilot flames. Correct flame pattern has two strong blue flames: 1 flowing around the flame sensor and 1 flowing across the burner (it does not have to be touching the burner).



Note: If you have an incorrect flame pattern, contact your Regency® dealer for further instructions.

Incorrect flame pattern will have small, probably yellow flames, not coming into proper contact with the rear burner or flame sensor.

HIGH ELEVATION

This unit is approved in Canada for altitude to 4500 ft. (CAN/CGA-2.17-M91). For Natural Gas installations above 4500 ft. follow current CAN/CGA-B149.1.

885 S.I.T. VALVE DESCRIPTION

- 1) 6 Stage flame adjustment
- 2) Pilot adjustment
- 3) Inlet Pressure Tap
- 4) Outlet Pressure Tap
- 5) Pilot Outlet
- 6) Main Gas Outlet
- 7) Main Gas Inlet

B36XTCE -NG10 System Data	
For 0 to 4500 feet altitude Burner Inlet Orifice Sizes: #35	
Max. Input Rating	31,000 Btu/h
Min. Input Rating	21,500 Btu/h
Supply Pressure	min.5.0" w.c.
Manifold Pressure (High)	3.5"+/- 0.2" w.c.
Manifold Pressure (Low)	1.6"+/- 0.2" w.c.

B36XTCE - LP10 System Data	
For 0 to 4500 feet altitude Burner Inlet Orifice Sizes: #51	
Max. Input Rating	31,000 Btu/h
Min. Input Rating	25,000 Btu/h
Supply Pressure	min.11.0" w.c.
Manifold Pressure (High)	10"+/- 0.2"w.c.
Manifold Pressure (Low)	6.4"+/- 0.2"w.c.

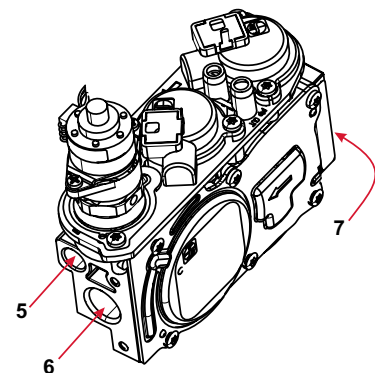
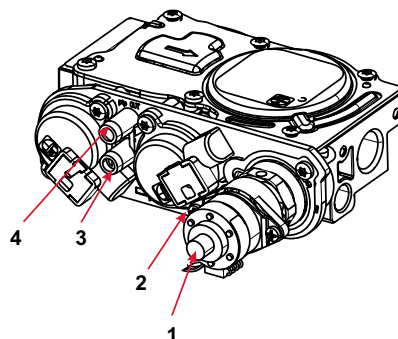
GAS PIPE PRESSURE TESTING

The appliance must be isolated from the gas supply piping system by closing its individual manual shut-off valve during any pressure testing of the gas supply piping system at test pressures equal to or less than 1/2 psig. (3.45 kPa). Disconnect piping from valve at pressures over 1/2 psig.

The manifold pressure is controlled by a regulator built into the gas control, and should be checked at the pressure test point.

Note: To properly check gas pressure, both inlet and manifold pressures should be checked using the valve pressure ports on the valve.

- 1) Make sure the valve is in the "OFF" position.
- 2) Loosen the "IN" and/or "OUT" pressure tap(s), turning counterclockwise with a 1/8" wide flat screwdriver.
- 3) Attach manometer to "IN" and/or "OUT" pressure tap(s) using a 5/16" ID hose.
- 4) Light the pilot and turn the valve to "ON" position.
- 5) The pressure check should be carried out with the unit burning and the setting should be within the limits specified on the safety label.
- 6) When finished reading manometer, turn off the gas valve, disconnect the hose and tighten the screw (clockwise) with a 1/8" flat screwdriver. **Note: Screw should be snug, but do not over tighten.**



CONVERSION KIT #578-972 FROM NG TO LP
for B36XTCE using SIT 885 NOVA Gas Valve

**THIS CONVERSION MUST BE DONE BY A QUALIFIED GAS FITTER
IF IN DOUBT DO NOT DO THIS CONVERSION !!**

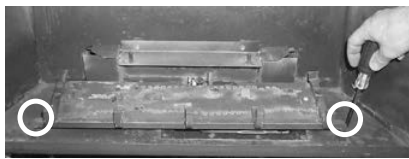
Each Kit contains one LP Conversion Kit # 578-972

Conversion Kit Contains:

Qty.	Part #	Description
1	904-645	Burner Orifice #51
1	904-529	5/32" Allen Key
1	918-590	Decal "Converted to LPG"
1	908-528	Red "LP" label
1	910-101	LP Injector (Pilot Orifice)
1	911-011	Stepper Motor
1	919-437	Instruction Sheet

Installation of LP Conversion Kit:

1. Shut off the gas and electrical supply.
2. Remove the mesh barrier.
3. Open the flush door and remove the door.
4. Remove the logs and embers (if already installed).
5. Loosen the 2 screws holding the Burner Assembly to the firebox base. Slide the Burner Assembly to the left to release it from the orifice and lift out.

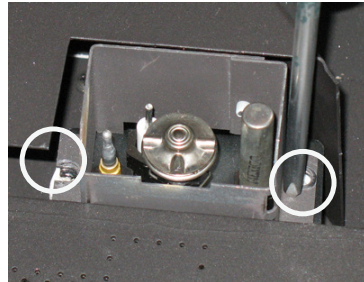


Remove the 2 screws, push Burner Assembly to the left and lift out.

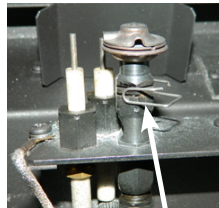


Installer Notice:
These instructions must be left with the appliance.

6. Remove the pilot shield by removing 2 screws.



7. Remove the wire clip below the pilot cap.



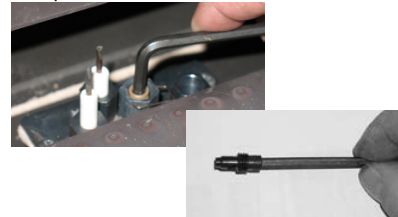
Pilot retainer clip



8. Pull off the pilot cap to expose the pilot orifice.



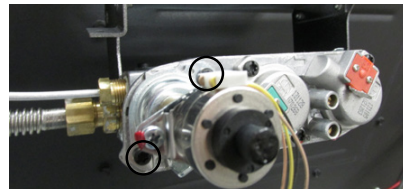
9. Unscrew the pilot orifice with the allen key; then replace with the LPG pilot orifice, provided in the kit.



10. Re-install pilot cap, wire clip and pilot shield.
11. Remove burner orifice with a 1/2" wrench. Use another wrench to hold on to the elbow behind the orifice. Discard orifice.
12. Reinstall new burner orifice LPG stamped #51 and tighten.



13. Remove regulator and discard. Install the Hi/Lo pressure regulator onto the valve with 2 screws as shown below.

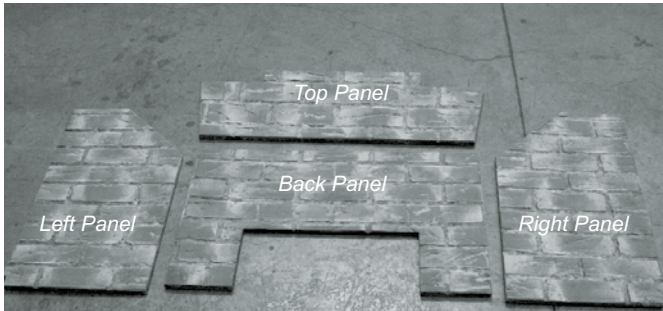


14. Reinstall burner assembly.
15. Adjust aeration accordingly.- see manual for details.
16. Attach the label "This unit has been converted to LPG" near or on top of the serial # decal.
17. Replace yellow "NG" label with red "LPG" label.
18. Reverse steps 4 - 1.
19. Check for gas leaks.
20. Check inlet and outlet pressures.
21. Check operation of flame control.

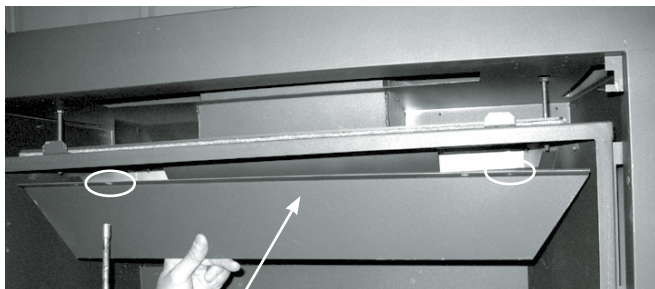
BRICK PANEL INSTALLATION

Dangerous operating conditions may occur if the panels are broken.
Handle with care. DO NOT FORCE INTO POSITION.

- 1) Unwrap the Brick Panels from the protective wrapping.
- 2) Ensure that the logs are not in the unit.



- 3) Remove the heat deflector (if installed) by removing the 2 screws securing the heat deflector from the top of the firebox.



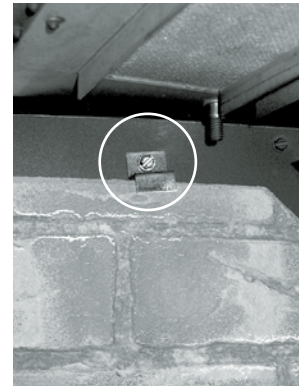
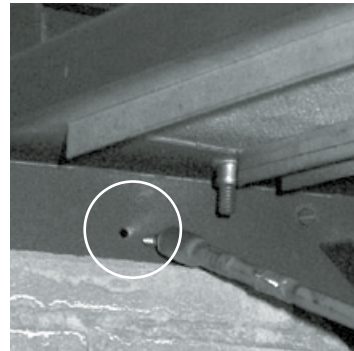
Heat deflector

- 4) Install the back brick panel first - use caution when clearing the burner assembly and rear log tray so the panel is not damaged.

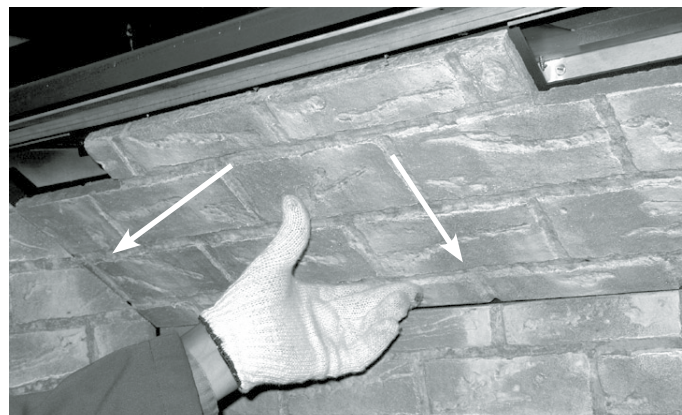
Note: Ensure that an equal space (gap) is maintained on both the right and left side - when installing the back panel.



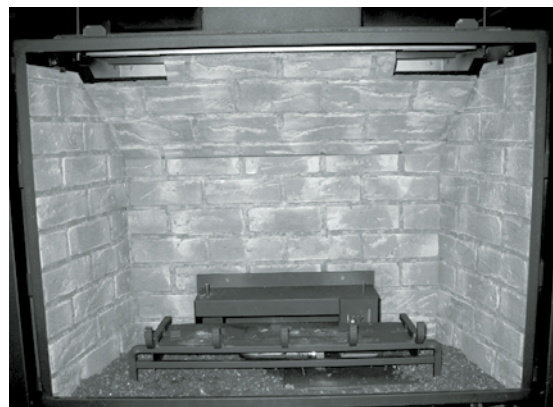
Back Panel Installed



- 5) Remove the hex head screw on the upper left side of the firebox wall.
Position left brick panel in place and secure with the brick panel clip and screw.



- 6) Slide top brick panel under left and back brick panel, use care not to damage panel.
- 7) Right brick panel is installed last, follow the same procedure as for left panel (see step 5).



Final Brick Panel Installation

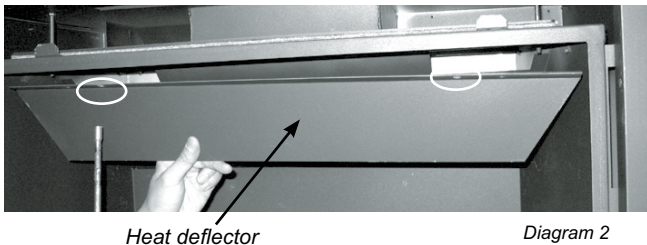
- 8) Reinstall top heat deflector (reverse Step 3).

OPTIONAL BLACK ENAMEL PANEL INSTALLATION

Black Enamel Panels
<ul style="list-style-type: none"> • Black Enamel panels must be inspected for scratches and dimples prior to installation. All claims to be recorded at this time. Claims for damage after installation will not receive consideration.
<ul style="list-style-type: none"> • Black Enamel panels will discolor a little during normal operation. This is normal and should not be considered a defect.
<p>* All hand and finger marks <i>MUST</i> be cleaned off with a soft cloth. Use an ammonia based cleaner (ie. glass cleaner) to remove any fingerprints before applying heat to the unit. Failure to do this will result in burn stains on panels which you will be unable to remove. Not protected by product warranty.</p>



1) Remove the heat deflector by removing the 2 screws securing the heat deflector to the top of the firebox (see Diagram 2).



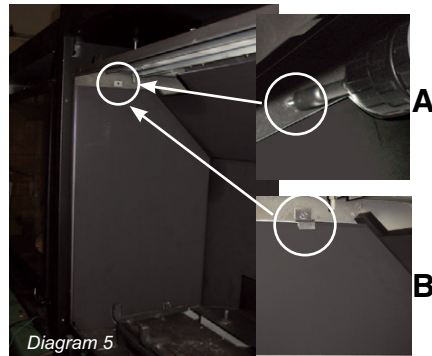
2) Install the back panel first - use care when clearing the burner assembly and rear log tray, so panel is not scratched.



3) Install the top panel next - slide the panel in over top of the back panel - orient the panel so the fold in the metal faces in (see inset A).

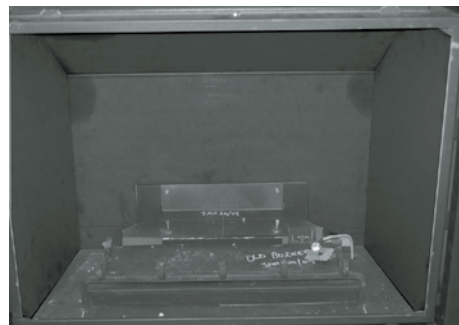


4) Remove 1 screw (see inset A), position right side panel in firebox - position panel clip in place and secure with 1 screw (see inset B). Tighten the screw.



5) Repeat step 4 for left side panel.

6) Reverse step 1.



Final Installation

Diagram 6

LOG SET INSTALLATION

Installation of Optional Panels must be completed before installing the log set.

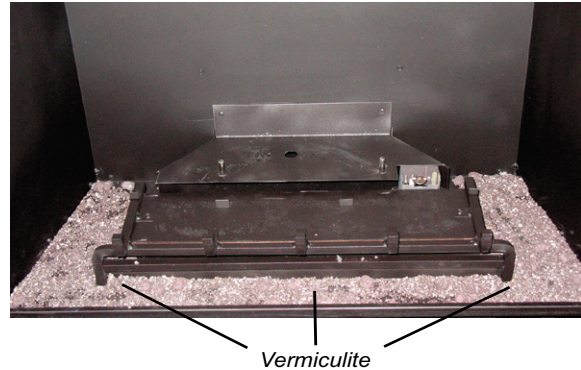
Read the instructions below carefully and refer to the images. If the logs are broken do not use the unit until they are replaced. Broken logs can interfere with pilot operation.

Improper positioning of the logs may create carbon build-up and can alter the unit's performance which is not covered under warranty.

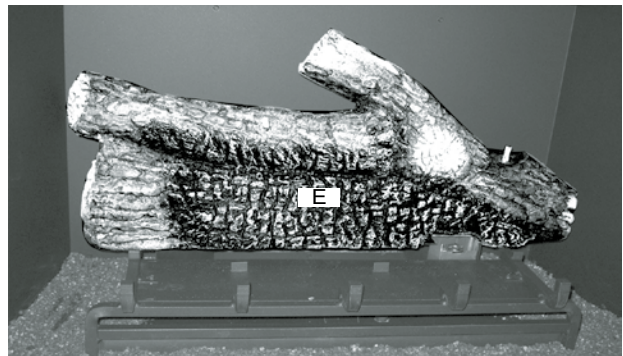
Log Kit #578-930 contains the following pieces:

A	Right Front Log
B	Left Front Log
C	Top Middle Log
D	Top Right Log
E	Rear Log
902-156	Lava Rocks
902-179	Vermiculite
946-669	Platinum Embers (supplied w/package manual)

- 2) Spread vermiculite along the base of the firebox.

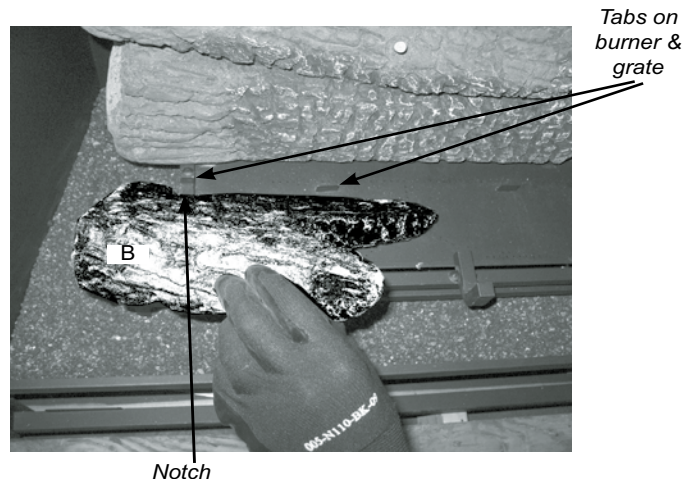


- 3) Place Log E on the rear log support pins with the flat side to the back.

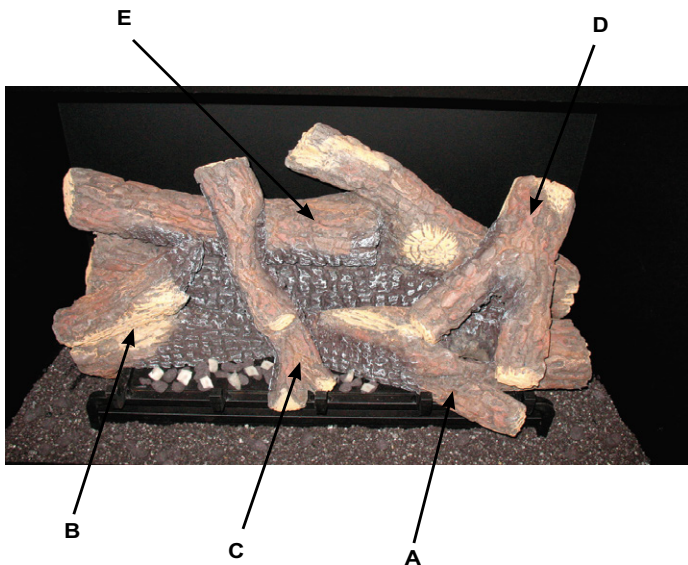


- 4) Place Log B on the front left side of the burner. Position the notch on the bottom left side of the log into the left side of the grate.

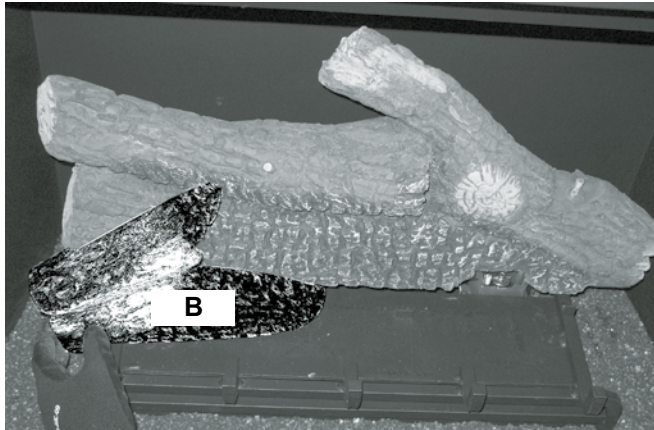
Slide Log B back towards Log E until the flat surface on Log B rests up against the tabs on the burner and grate - this maintains a necessary gap between Logs B & E.



Note: See final positioning of Log B on next page.



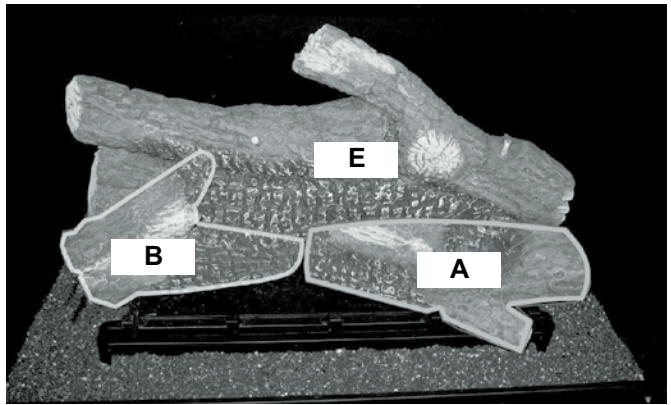
- 1) Carefully remove the logs from the packaging and unwrap them. The logs are fragile, handle with care - **do not force into position.**



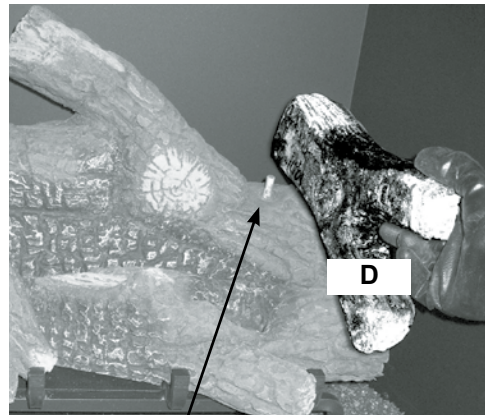
5) Place Log A on the front right side of the burner. Position the notch on the bottom right side of the log into the right side of the grate.

Slide Log A back towards Log E until the flat surface on Log A rests up against the tabs on the burner and grate - this maintains a necessary gap between Logs A & E.

Note: Use the notch on the bottom of Log A as a guide -see below.

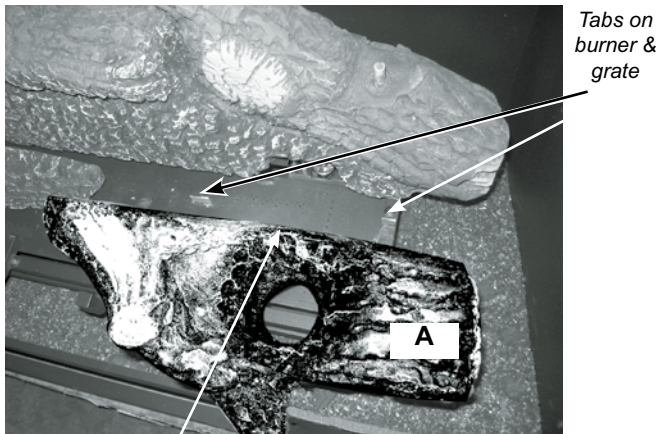


6) Position Log D with the flat side toward Log E. Fit Log D into right peg on Log E.



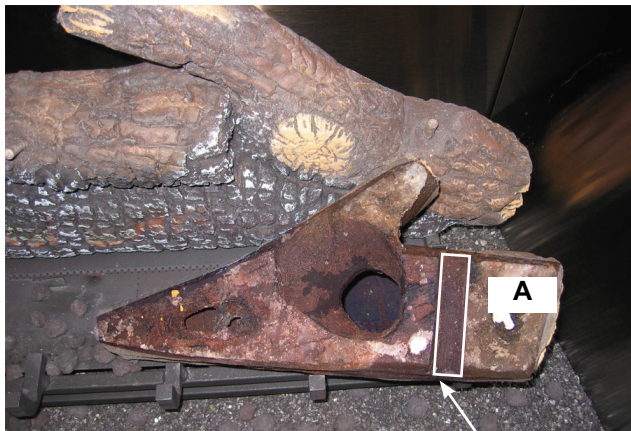
Right Peg - Log E

7) The notch on the bottom of Log D rests against the knot on Log A (as shown below).

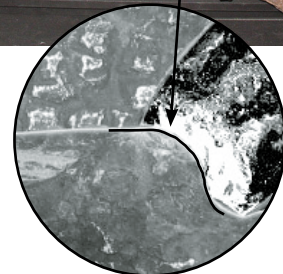


Tabs on burner & grate

Back of Log A

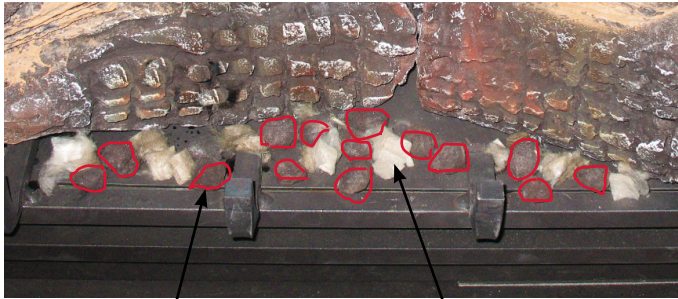


Notch location on underside of Log A (runs from back - front)



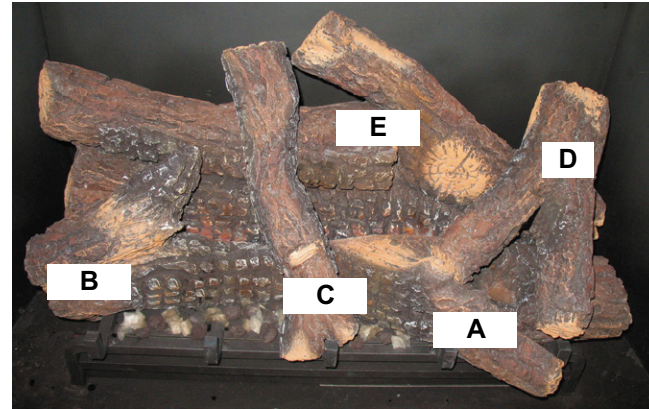
- 8) Place the lava rocks on the front of the burner tray in the places shown in the photo.

Separate platinum embers and place on the front of the burner tray in and around the lava rocks. Avoid stacking platinum embers. Platinum embers may be placed over burner ports.



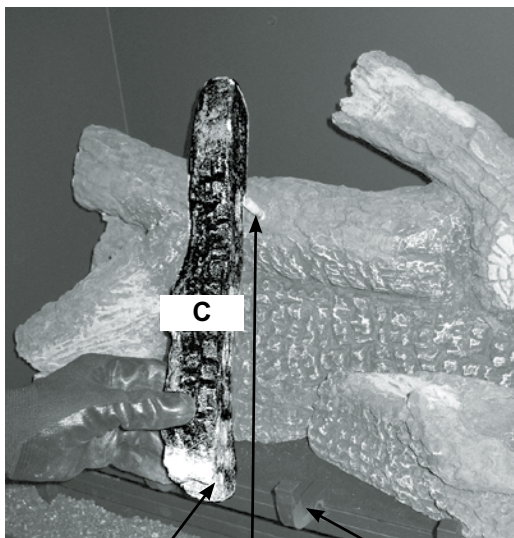
Lava Rocks

Platinum Embers



- 10) Test fire to ensure proper light off (make sure flame flows smoothly from one end of the burner to the other). If there is any flame hesitation, check that area for any blockage of the burner ports.

- 9) Position Log C with the flat side toward Log E. Fit Log C onto left peg on Log E - the notch on the bottom of Log C rests against the 3rd (from the left) grate post.



Notch in log C

Left Peg - Log E

3rd Grate Post

AERATION ADJUSTMENT

The burner aeration is factory set but may need adjusting due to either the local gas supply or altitude. Open the air shutter for a blue flame or close for a more yellow flame.



Air shutter rod - located to the left of the valve assembly.

Minimum Air Shutter Opening:

NG	1/4"
LP	3/8"

air shutter is tightly closed.

Note: Any damage due to carboning resulting from improperly setting the aeration controls is NOT covered under warranty.

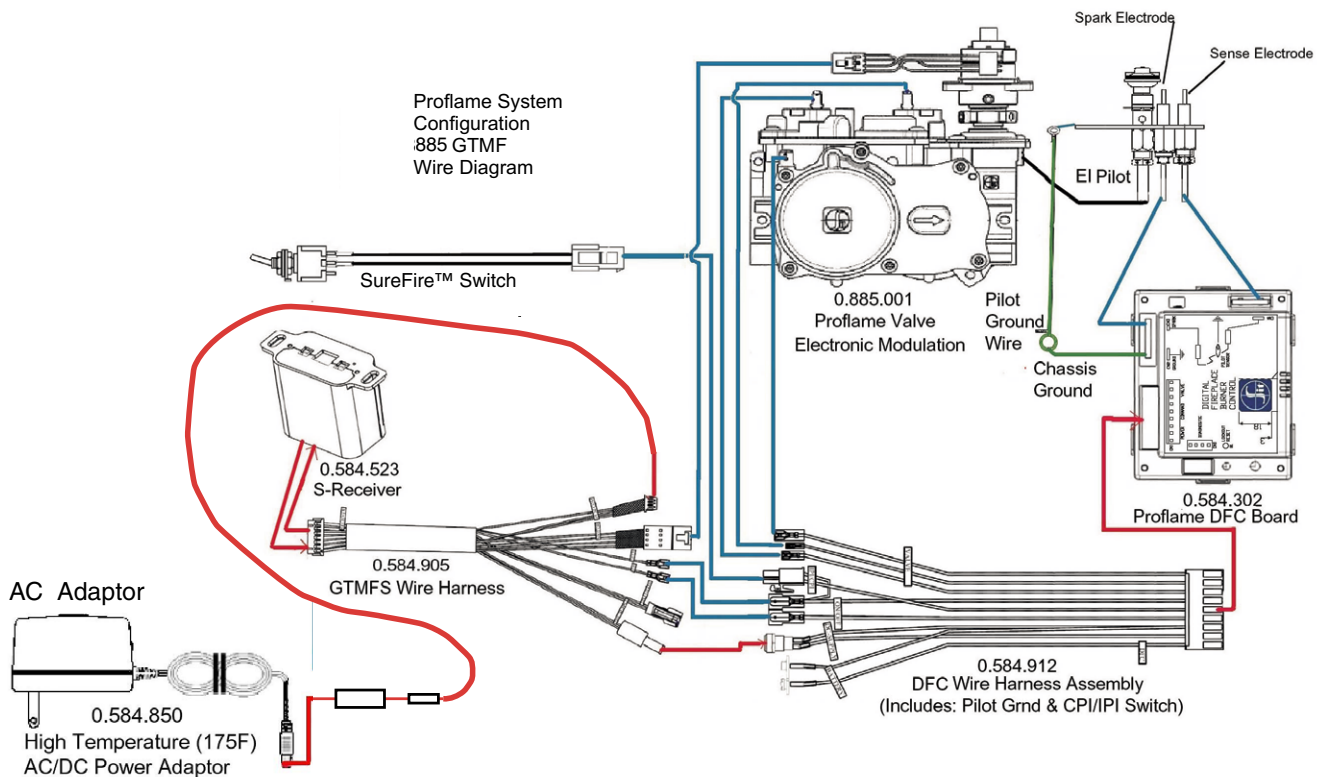
CAUTION: Carbon will be produced if

WIRING DIAGRAM

This heater does not require a 120V A.C. supply for operation but it is highly recommended to install the supplied AC adaptor to eliminate the need for batteries. In case of a power failure, the burner switch and the optional remote control will continue to operate if batteries are installed in the receiver. However, a 120V A.C. power supply is needed for the fan/blower operation.

(Do not cut the ground terminal off under any circumstances.)

NOTE: Even if the fan is not purchased with the unit, it is still a good idea to bring power to the receptacle box (provided with the unit) in case the fan is installed at a later date.



Caution: Ensure that the wires do not touch any hot surfaces and are away from sharp edges.

CAUTION: Label all wires prior to disconnection when servicing controls. Wiring errors can cause improper and dangerous operation.

INSTALLING THE OPTIONAL FAN

Important: 120 Volt AC power is needed for the blower. The receptacle box will be installed on the left hand side of the unit and will need to be wired by a qualified electrician prior to fan assembly being installed. The neutral (wider) slot of the polarized receptacle should be at the top. **The A/C Adapter supplied with the unit is not required and should be disconnected when using the GTMF Module. The Module will provide power to operate the system.**

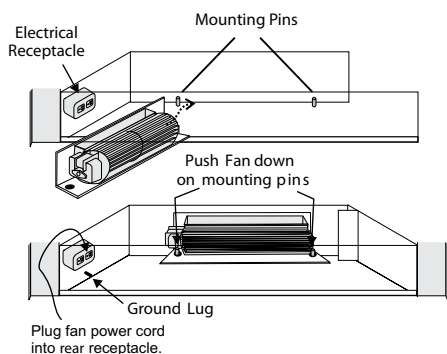
Unit must be grounded at all times. Do not cut the ground terminal off under any circumstances.

1. Shut the power off.
2. Remove the mesh barrier and standard flush door.
3. Turn the fan base on its side (with the base facing towards you) and then slide the fan in towards the rear of the unit. Turn the fan upright and slip it over the two mounting studs. Take care not to damage the insulation on the fan base. Ensure that the fan blades do not rub against the valve tubing.



Diagram 2

4. Connect fan ground cable to ground lug. Refer to wiring diagram.



5. Slide the thermodisc/cover assembly into the bracket clip on the underside of the firebox. Check that no wire will touch the hot surfaces. Diagram 3 and 4.

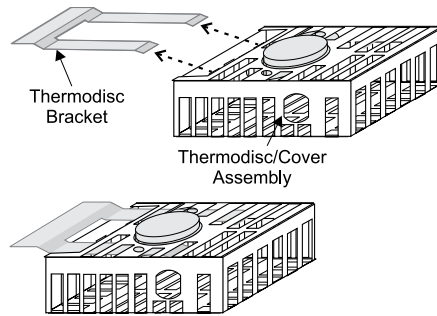


Diagram 3

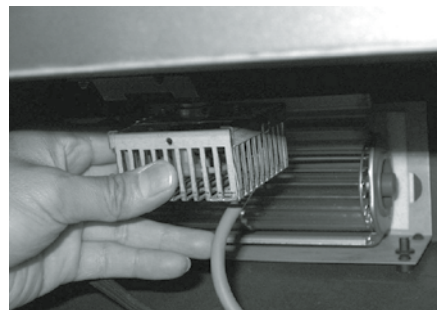
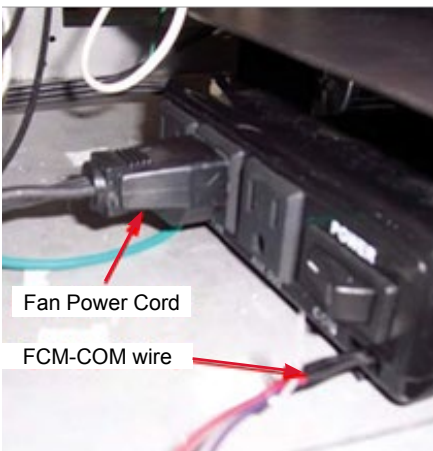
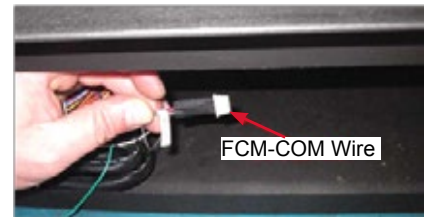


Diagram 4

6. Install the Fan Control Module (FCM) on to the left side base of the unit and plug in to electrical receptacle in unit as shown.



7. Plug in the fan power cord to the Fan Control Module into the outlet marked "Fan". **Disconnect the A/C adapter from the FC-COM wire (if installed) and remove.** Plug the FCM-COM wire from the remote control wiring harness into the location on the Fan Control Module marked "COM". Turn the switch on the Fan Control Module to the ON position. ON is to the left. The "O" is the off position.



8. See the Proflame instructions for coding the remote handheld to the receiver and for operating instructions.

9. Reverse Steps 2 -1 to complete the installation.

TO REMOVE THE FAN

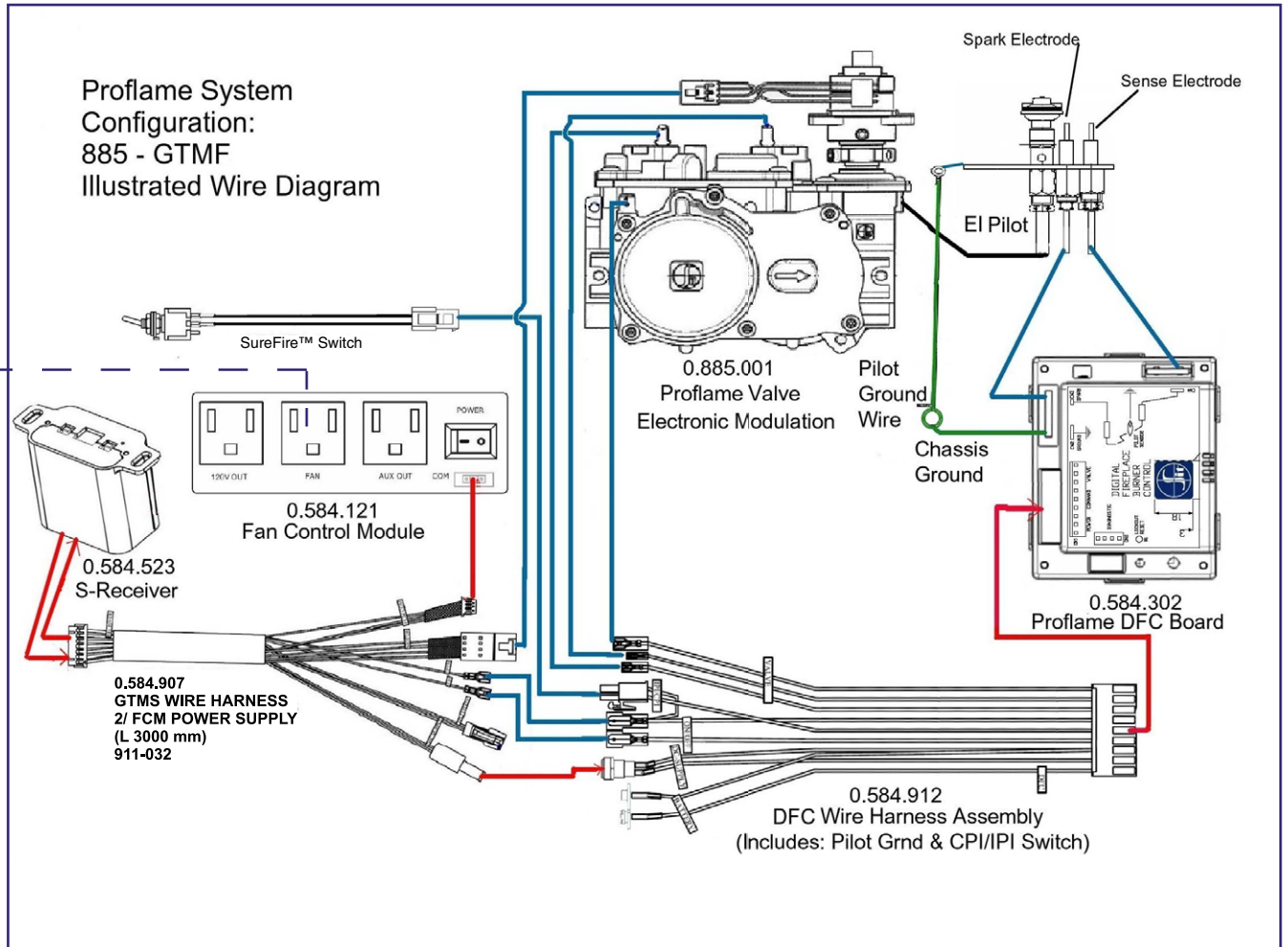
- 1) Shut the power off.
- 2) Reverse the above instructions.

Note: The bearings are lubricated for life. Do not lubricate them. Make sure you vacuum the fan area on a regular basis.

IMPORTANT:

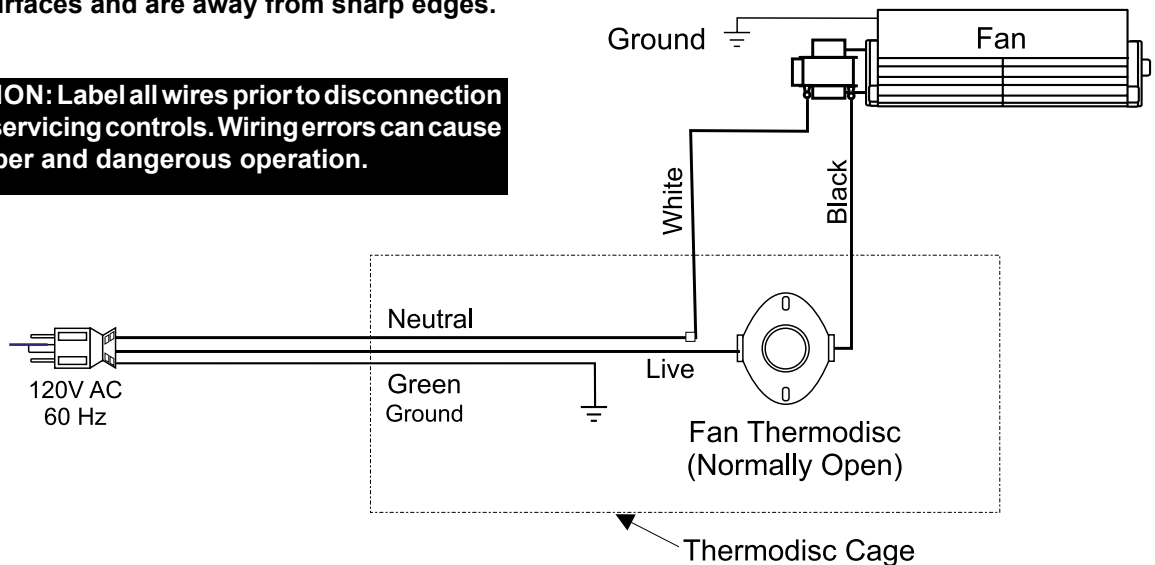
These fans collect a lot of dust from within your home. Ensure you maintain these fan motors on a regular basis by vacuuming out the fan blades and housing using a soft brush nozzle.

WIRING DIAGRAM WITH OPTIONAL FAN



Caution: Ensure that the wires do not touch any hot surfaces and are away from sharp edges.

CAUTION: Label all wires prior to disconnection when servicing controls. Wiring errors can cause improper and dangerous operation.

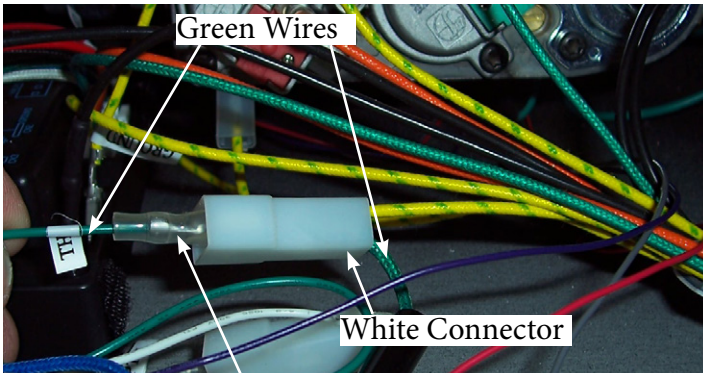


OPTIONAL WALL THERMOSTAT INSTALLATION

A wall thermostat may be installed if desired.

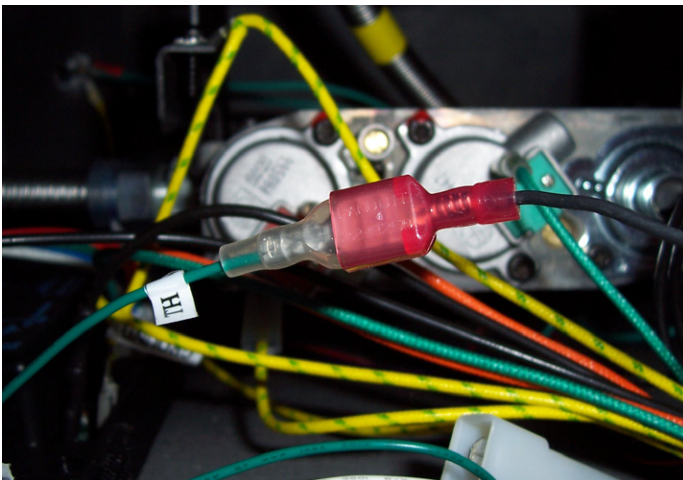
Recommended: The Wall Thermostat should be mounted beside the Remote/Unit Receiver which comes standard with the appliance.

- 1) Run wires from thermostat into the unit.
- 2) Remove the green wire marked (TH) at the white connector-shown below. The noted wires will be located near the gas valve.

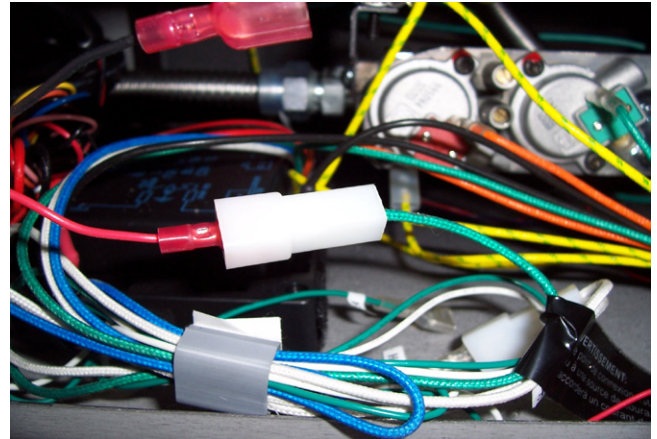


Disconnect green TH wire

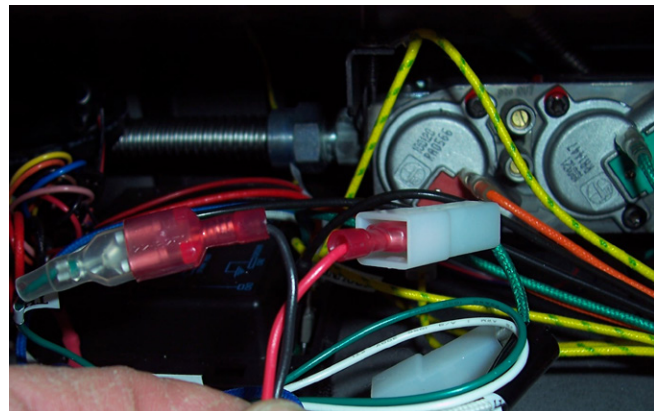
- 3) Connect one thermostat lead to female connector, using male spade connector - see picture below.



- 4) Connect the other thermostat lead to male connector disconnected from Step 1 using a female spade connector - see picture below.



When complete turn remote receiver to the <ON> position. Unit will now operate using the wall thermostat.



NOTE: When the remote receiver is set to ON position, the remote control transmitter and all of its features are now disabled.

CAUTION
Do not wire
Thermostat wires
to 120V wire.

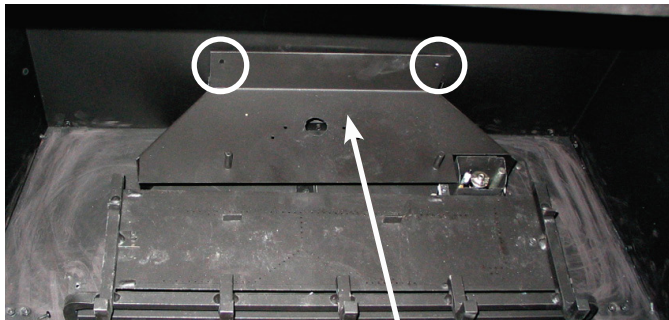
OPTIONAL ACCENT LIGHT INSTALLATION

B36XT/B36XTE Accent Light Kit # 576-959		
1	Light Assembly	-includes cable tie/ gasket.
1	910-997	Halogen Bulb
1	940-363	Amber glass
1	910-199	Adhesive wire clip
1	918-821	Instruction Sheet

Important: 120 Volt AC power is required to operate the light. The receptacle box will be installed on the left hand side of the unit and will need to be wired by a qualified electrician prior to the light installation. The neutral (wider) slot of the polarized receptacle should be at the top. A wall mounted switch should also be installed to turn the accent light on and off.

Note: Receptacle Box is switch operated. Refer to wiring diagram in the manual.

- 1) Shut off electrical supply.
- 2) Remove the mesh guard and glass door.
- 3) Remove the logs - if installed.
- 4) Remove the rear log tray by removing 2 screws (locations shown below) then lifting out.



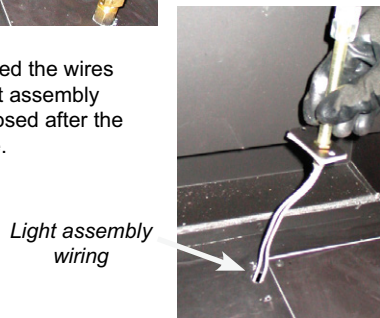
Rear Log Tray

- 5) Remove the 2 screws securing the cover plate to the firebox base. Discard cover plate - keep the 2 screws.



Cover plate

- 6) From inside the firebox - feed the wires from the bottom of the light assembly - through the opening exposed after the removal of the cover plate.

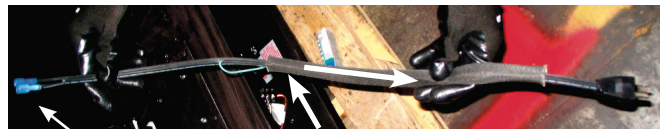


Light assembly wiring

- 7) When light assembly has been fully seated - secure in place with 2 screws that were removed from the cover plate



- 8) From underneath the firebox - slide back the protective sheath on the plug wiring to reveal connectors.

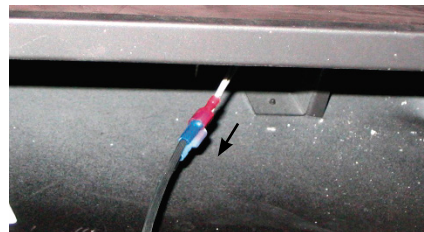


Connectors

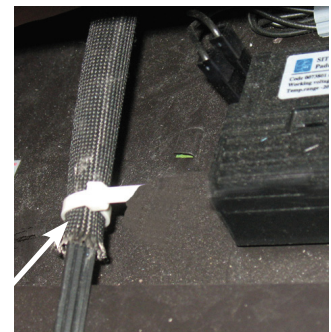
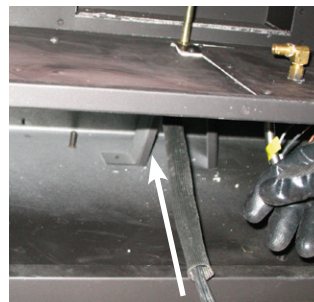
Protective Sheath

- 9) Plug the red light assembly wiring into the blue plug wiring - as shown below.

NOTE: The ground wire will need to be pulled back out of the protective casing to be able to reach the ground lug. Gently pull the end of the green wire backwards exposing enough wire to reach ground lug.



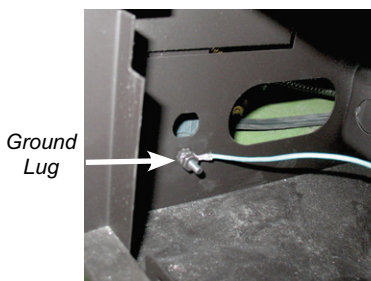
- 10) Slide protective sheath back over connectors until it meets the underside of the firebox base - to protect wires. Secure end of sheath with a cable tie.



Cable Tie

- 11) After the wiring has been connected, secure green ground wire to ground lug as shown below.

Ground lug is located on the lower left corner inside the bottom of the unit.

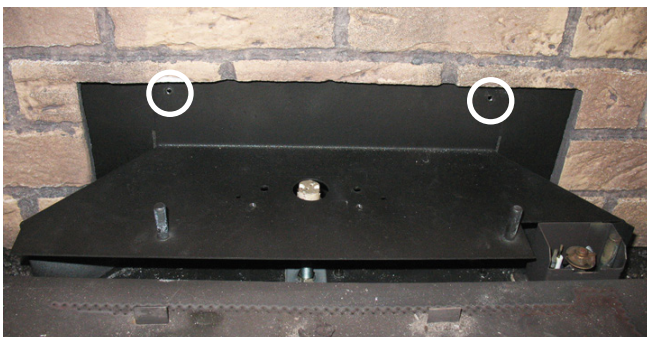


- 12) Using the adhesive wire holder, neatly secure the loose wiring to the base of the unit.

Ensure wiring does not come into contact with the fan blades or any sharp metal edges.

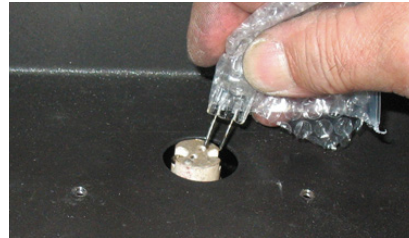


- 13) Reinstall the rear log tray - secure with 2 screws.

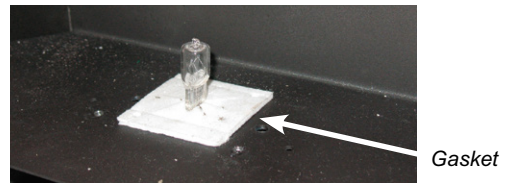


- 14) Install the halogen bulb supplied with the kit.

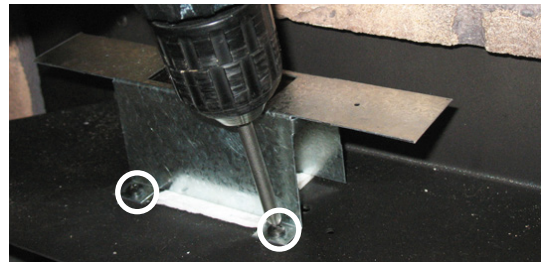
Important: Use **caution** - do not touch the bulb during installation. Use the plastic packaging as a protective covering while installing the bulb.



- 15) Install a gasket over top of the bulb.

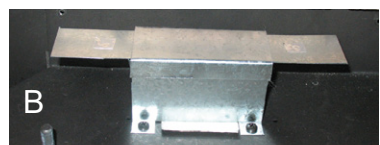
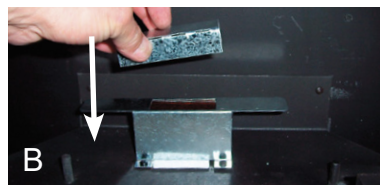


- 16) Install the light diffuser by securing it to the rear log tray with 2 screws - see below.



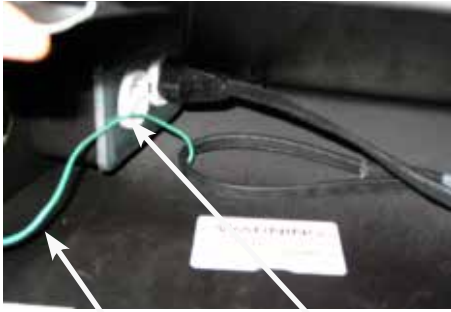
Installed diffuser shown below with 2 options:

- a) With amber glass plate - **for use with units without panels or with brick panels**. Left and right side tabs to be bent down 90 degrees as shown below (Image A).
- b) Amber glass plate covered - **for use with units using stainless steel / black enamel panels** as show below in Image B.



56 | installation

- 17) Reinstall the logs.
- 18) Reinstall mesh guard and glass door.
- 19) Plug the light assembly into the receptacle located on the bottom left side of the unit.



Ground Wire

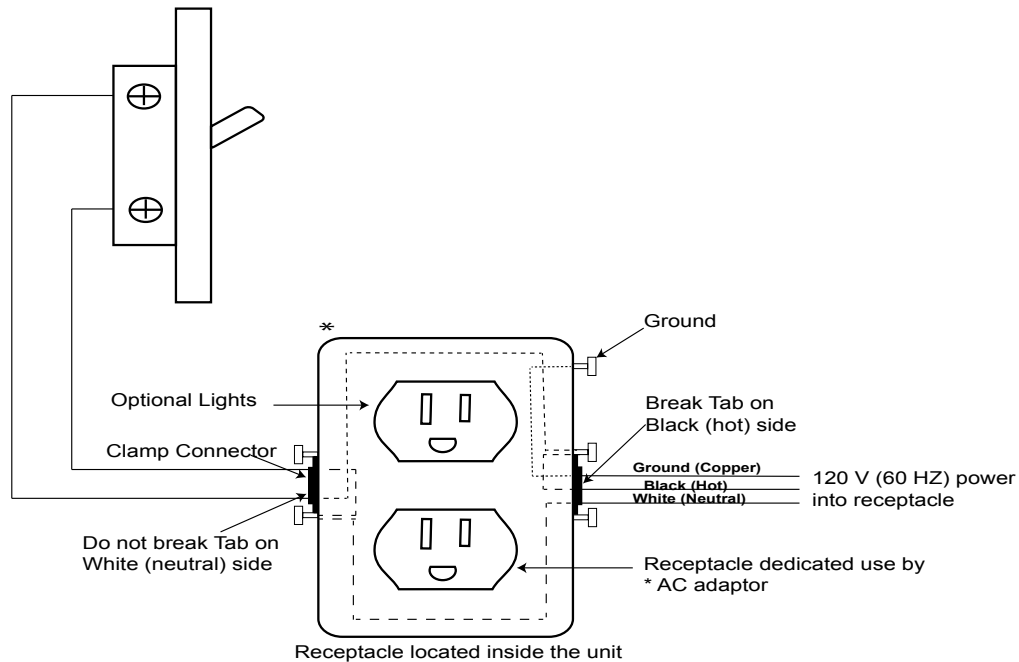
Receptacle

- 20) Turn on electrical supply - test lights.

LINE VOLTAGE WIRING TO RECEPTACLE IN UNIT TO MAKE OUTLETS INDEPENDENT OF EACH OTHER

Scheme - 1

Using Wall Switch only to turn lights ON/OFF.



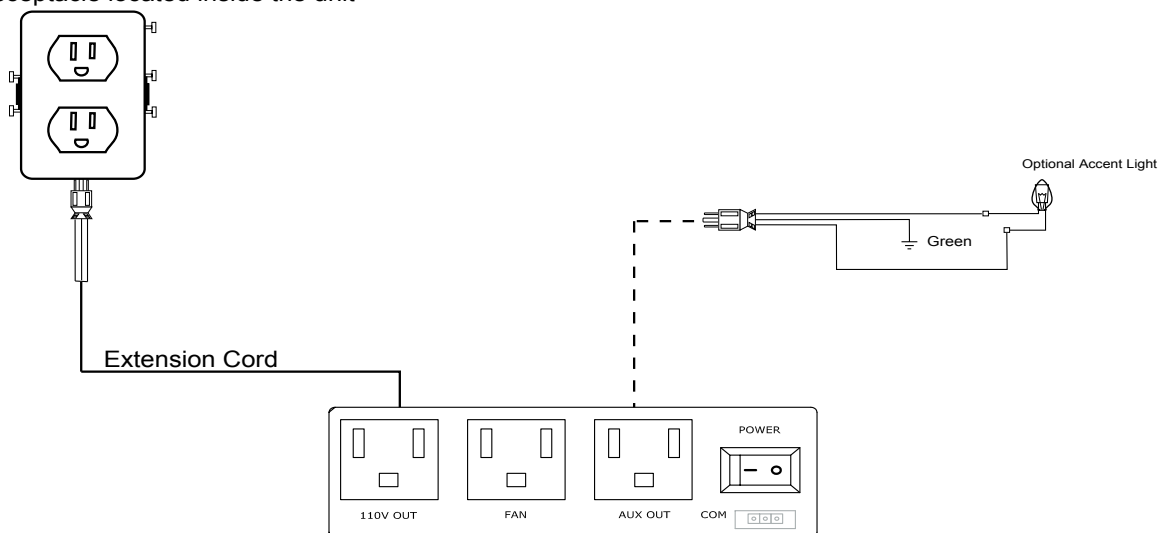
* - Supplied with the appliance

NOTE: ON/OFF switch, all wires supplied by others.

Scheme- 2

Only Use if Optional Fan is purchased.

Receptacle located inside the unit

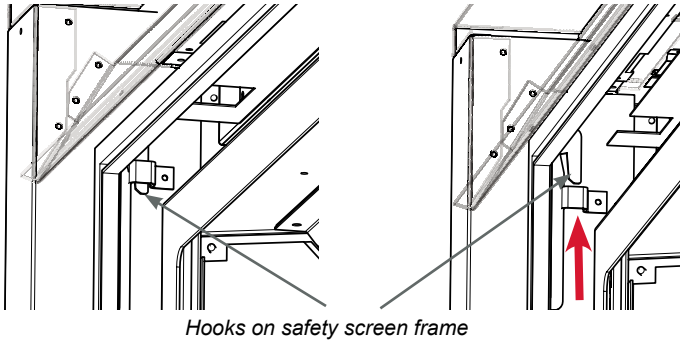


NOTE: Lights can be turned ON and OFF using the remote control AUX function on the hand held transmitter. See Remote Control instructions for details. No switch is required.

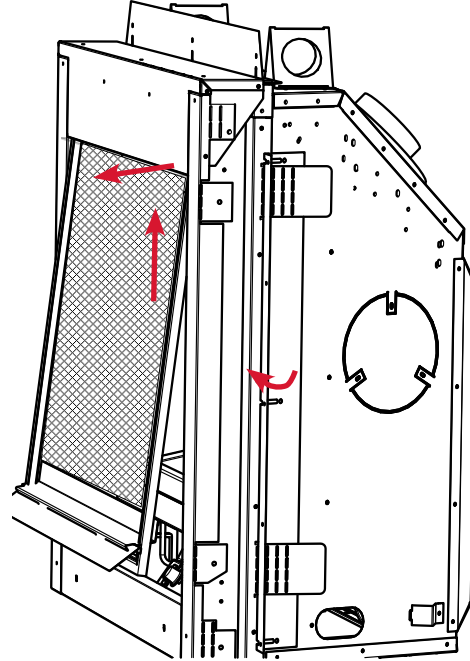
ELECTRICAL WORK MUST BE PERFORMED BY A QUALIFIED ELECTRICIAN

SAFETY SCREEN REMOVAL / INSTALLATION

1. To remove the safety screen, grasp safety screen on both sides from the bottom. Lift up and out slightly to release from bottom magnets and to release hooks on mesh frame from brackets inside unit (see below).



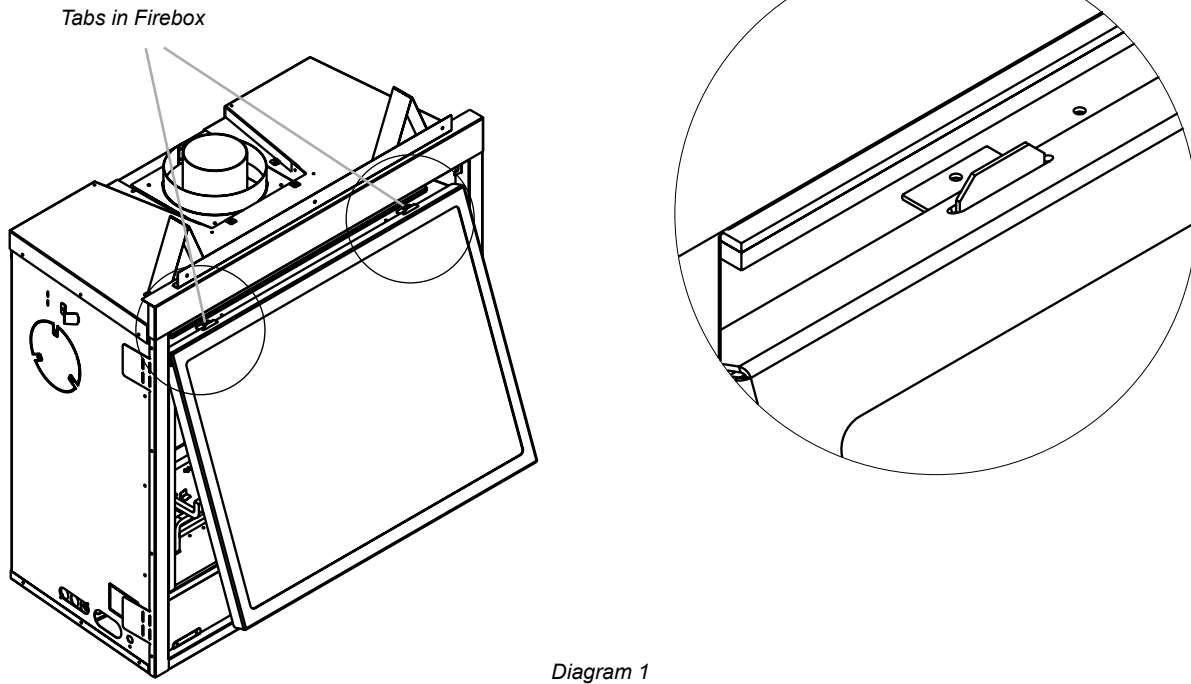
2. When hooks are clear of the bracket—tilt mesh frame out slightly from the bottom and manoeuvre mesh out.



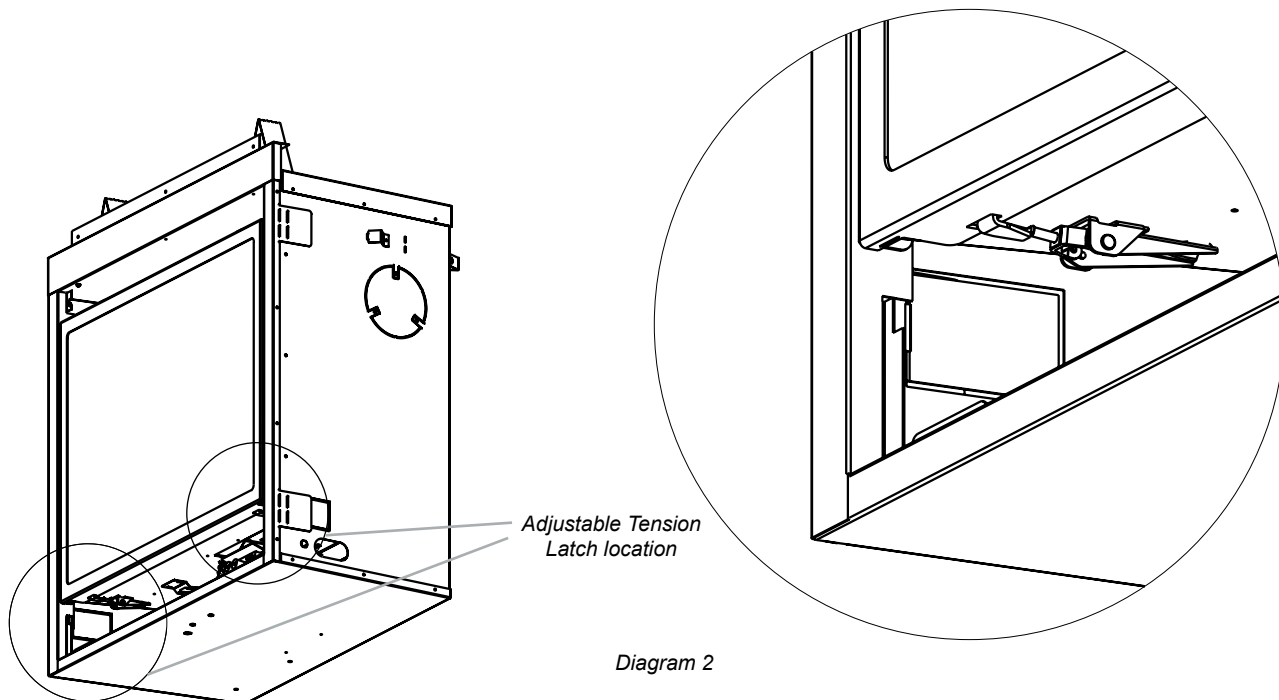
3. To reinstall—reverse steps.

FLUSH GLASS DOOR INSTALLATION

- 1) Line up slots on flush glass door with tabs in firebox. Hook slots on to tabs and lower door slowly (See Diagram 1).



- 2) Lower the flush door, then hook the 2 adjustable tension latches - close the latches to secure the flush door (See Diagram 2).



Note: To remove Flush Glass door reverse Steps 1 and 2.

OPERATING INSTRUCTIONS

- 1) Read and understand these instructions before operating this appliance.
- 2) Check to see that all wiring is correct and enclosed to prevent possible shock.
- 3) Check to ensure there are no gas leaks.
- 4) Make sure the glass in the glass door frame is properly positioned. Never operate the appliance with the glass removed.
- 5) Verify that the venting and cap are unobstructed.
- 6) The unit should never be turned off, and on again without a minimum of a 60 second wait.

FIRST FIRE

The **FIRST FIRE** in your heater is part of the paint curing process. To ensure the paint is properly cured, it is recommended you burn your fireplace for at least four (4) hours the first time.

When first operated, the unit will release an odour caused by the curing of the paint and the burning off of any oils remaining from manufacturing. Smoke detectors in the house may go off at this time. Open a few windows to ventilate the room for a couple of hours. The glass may require cleaning.

NOTE: When the glass is cold and the appliance is lit, it may cause condensation and fog the glass. This condensation is normal and will disappear in a few minutes as the glass heats up.

DO NOT ATTEMPT TO CLEAN THE GLASS WHILE IT IS STILL HOT!

DO NOT BURN THE UNIT WITHOUT THE GLASS DOOR IN PLACE.

During the first few fires, a white film may develop on the glass front as part of the curing process. The glass should be cleaned after the unit has cooled down or the film will bake on and become very difficult to remove. Use a non-abrasive cleaner and DO NOT ATTEMPT TO CLEAN THE GLASS WHILE IT IS HOT.

NORMAL OPERATING SOUNDS OF GAS APPLIANCES

It is possible that you will hear some sounds from your gas appliance. This is perfectly normal due to the fact that there are various gauges and types of steel used within your appliance. Listed below are some examples. All are **normal operating sounds** and should not be considered as defects in your appliance.

Burner Tray:

The burner tray is positioned directly under the burner and is made of a different gauge material from the rest of the firebox and body. Therefore, the varying thicknesses of steel will expand and contract at slightly different rates which can cause "ticking" and "cracking" sounds. You should also be aware that as there are temperature changes within the unit these sounds will likely re-occur. Again, this is normal for steel fireboxes.

Pilot Flame:

While the pilot flame is on it can make a very slight "whisper" sound.

Gas Control Valve:

As the gas control valve turns ON and OFF, a dull clicking sound may be audible, this is normal operation of a gas regulator or valve.

Unit Body/Firebox:

Different types and thicknesses of steel will expand and contract at different rates resulting in some "cracking" and "ticking" sounds will be heard throughout the cycling process.

Blower Thermodisc:

When this thermally activated switch turns ON it will create a small "clicking" sound. This is the switch contacts closing and is normal.

LIGHTING PROCEDURE

IMPORTANT: The remote control system supplied with this appliance has several options for starting/operating the appliance using the power button and ON/OFF key on the hand held transmitter. Prior to operating this appliance, please read the remote control operating instructions (packaged with remote control) to understand how to operate this remote control system. Option to download remote functions video with QR code below.



Proflame video

1. Ensure the wall switch/receiver is in the remote position. (see Diagram 1).

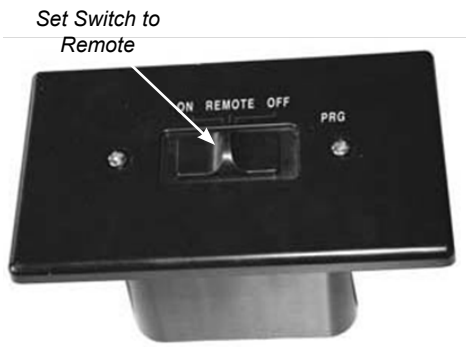
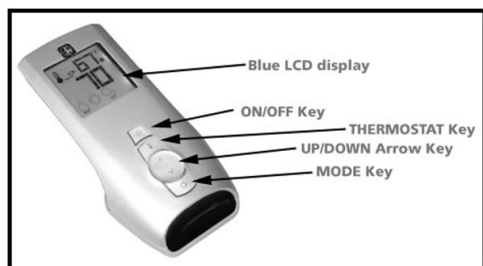


Diagram 1

2. Press and release the ON/OFF button on the remote handheld transmitter (see Diagram 2). An audible beep should be heard from the receiver.



Diagram 2
Remote shown in Manual Mode on Hi



3. After approximately 4 seconds the spark ignition system will spark for 60 seconds to light the main burner.
4. The unit will turn on.

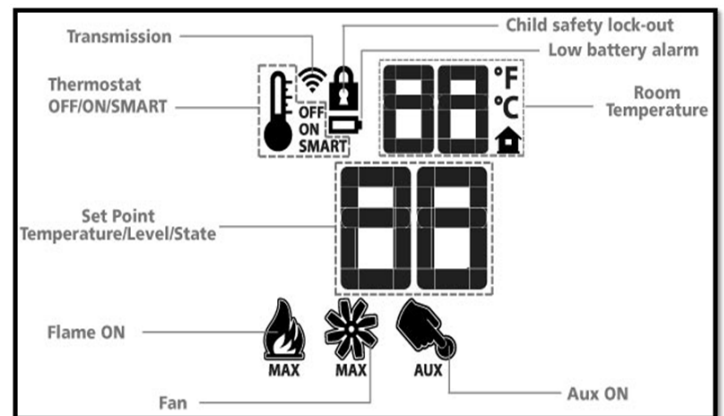
Note: The first try for ignition will last approximately 60 seconds. If there is no flame ignition (rectification) the board will stop sparking for approximately 35 seconds. After wait time, the board will start second try for ignition by sparking for approximately 60 seconds. If there is still no positive ignition the board will go into lock out.

The system will need to be reset as follows:

- a) Turn the system off using ON/OFF switch or press ON/OFF button - if using optional remote.
- b) After approximately 2 seconds turn on ON/OFF switch or press ON/OFF button if using optional remote.
- c) Repeat step 2.

SHUTDOWN PROCEDURE

1. Turn the wall mounted switch or remote to the "OFF" position.
2. Press "OFF" on the remote control.
3. Turn the gas control knob to the "OFF" position to turn off the pilot.



COPY OF LIGHTING PLATE INSTRUCTIONS

FOR YOUR SAFETY READ BEFORE LIGHTING

This appliance must be installed in accordance with local codes, if any; if none, follow the National Fuel Gas Code, ANSI Z223.1/NFPA 54, or Natural Gas and Propane Installation Codes, CSA B149.1.

WARNING: If you do not follow these instructions exactly, a fire or explosion may result causing property damage, personal injury or loss of life. Improper installation, adjustment, alteration, service or maintenance can cause injury or property damage. Refer to the owner's information manual provided with this appliance. For assistance or additional information consult a qualified installer, service agency or gas supplier.

AVERTISSEMENT: Quiconque ne respecte pas à la lettre les instructions dans la présente notice risque de déclencher un incendie ou une explosion entraînant des dommages, des blessures ou la mort.

Une installation, d'ajustement, de modification, de service ou d'entretien peut provoquer des blessures ou des dommages matériels. Reportez-vous au manuel du propriétaire de l'information fournie avec cet appareil. Pour obtenir de l'aide ou des informations supplémentaires consulter un installateur qualifié, une agence de service ou fournisseur de gaz.

A) This appliance is equipped with an ignition device which automatically lights the pilot.
Do not try to light the pilot by hand.

B) **BEFORE OPERATING** smell all around the appliance area for gas. Be sure to smell next to the floor because some gas is heavier than air and will settle on the floor.

WHAT TO DO IF YOU SMELL GAS

- Do not try to light any appliance.
- Do not touch any electric switch, do not use any phone in your building.
- Immediately call your gas supplier from a neighbour's phone. Follow the gas supplier's instructions.
- If you cannot reach your gas supplier, call the fire department.

C) Do not use this appliance if any part has been under water. Immediately call a qualified service technician to inspect the appliance and replace any part of the control system and any gas control which has been underwater.

A) Cet appareil est muni d'un dispositif d'allumage qui allume automatiquement la veilleuse.
Ne tentez pas d'allumer la veilleuse manuellement.

B) **AVANT LA MISE EN MARCHÉ**, renifllez tout autour de l'appareil pour détecter une odeur de gaz. Renifllez au niveau du plancher, car certains gaz sont plus lourds que l'air et peuvent s'accumuler au niveau du sol.

QUE FAIRE SI VOUS SENTEZ UNE ODEUR DE GAZ :

- Ne tentez pas d'allumer l'appareil
- Ne touchez à aucun interrupteur; n'utilisez pas de téléphones se trouvant dans le bâtiment.
- Appelez immédiatement votre fournisseur de gaz depuis un téléphone extérieur. Suivez les instructions du fournisseur.
- Si vous ne pouvez pas rejoindre le fournisseur, appelez le service incendie.

C) N'utilisez pas cet appareil s'il a été plongé dans l'eau, même partiellement. Faites inspecter l'appareil par un technicien qualifié et remplacez toute partie du système de contrôle et toute commande qui ont été plongés dans l'eau.

CAUTION: Hot while in operation. Do not touch. Severe Burns may result. Due to high surface temperatures keep children, clothing and furniture, gasoline and other liquids having flammable vapors away. Keep burner and control compartment clean. See installation and operating instructions accompanying appliance.

LIGHTING INSTRUCTIONS

- 1) Ensure the wall switch/receiver is in the remote position.
- 2) Press and release the ON/OFF button on the remote handheld transmitter. An audible beep should be heard from the receiver.
- 3) After approximately 4 seconds the spark ignition system will spark for 60 seconds to light the main burner.
- 4) The unit will turn on.

Note: The first attempt to ignition will last approximately 60 seconds. If there is no flame ignition (rectification) the board will stop sparking for approximately 35 seconds. After this wait time, the board will start a second try for ignition by sparking for approximately 60 seconds. If there is still no positive ignition after the second attempt the board will go into lock out.

The system will need to be reset as follows (after going into lock out mode):

- a) Wait 5 minutes - turn the system off using ON/OFF switch or press ON/OFF button if using remote
- b) After approximately 2 seconds turn on ON/OFF switch or press ON/OFF button if using remote.
- c) Unit will repeat step 2.

- 1) S'assurer que l'interrupteur mural/récepteur soit sur "Remote".
- 2) Appuyer sur la touche ON/OFF de la télécommande puis relâcher. Un bip se fera entendre depuis le récepteur
- 3) Après environ 4 secondes, le système d'allumage par étincelles se mettra en marche pendant 60 secondes pour allumer le brûleur principal.
- 4) L'appareil s'allume.

Remarque : Au premier allumage, le système tente d'allumer les flammes pendant 60 secondes. Si l'essai est infructueux, le système fait une pause de 35 secondes. C'est ce qu'on appelle l'étape de rectification. Ce délai écoulé, le système tente à nouveau d'allumer les flammes en produisant des étincelles pendant 60 secondes. Si les flammes ne s'allument toujours pas, le système se met en mode verrouillage.

Il faut alors le réinitialiser en suivant les étapes ci-dessous (pour le déverrouiller) :

- a) Attendre 5 minutes puis éteindre l'appareil en utilisant l'interrupteur ou la touche ON/OFF de la télécommande.
- b) Attendre 2 secondes et rallumer le système à l'aide de l'interrupteur ou de la télécommande.
- c) L'appareil répètera l'étape 2.

TO TURN OFF GAS APPLIANCE

- 1) Turn the wall mounted switch or remote to the "OFF" position.
- 2) If service is to be performed—you must disconnect power and shut off gas to the unit.
- 1) Utiliser l'interrupteur mural ou la télécommande pour mettre le système sur "OFF".
- 2) Lors de l'entretien de l'appareil—débrancher l'alimentation électrique et couper le gaz de l'appareil.

DO NOT REMOVE THIS INSTRUCTION PLATE

919-401a

MAINTENANCE INSTRUCTIONS

1. Always turn off the gas valve before cleaning. For relighting, refer to lighting instructions. Keep the burner and control compartment clean by brushing and vacuuming at least once a year. When cleaning the logs, use a soft clean paint brush as the logs are fragile and easily damaged.
2. Clean appliance and door with a damp cloth (never when unit is hot). Never use an abrasive cleaner. The glass should be cleaned with a gas fireplace glass cleaner. The glass should be cleaned when it starts looking cloudy.
3. The heater is finished in a heat resistant paint and should only be refinished with heat resistant paint. Regency® uses StoveBright Paint - Metallic Black #6309.
4. Make a periodic check of burner for proper position and condition. Visually check the flame of the burner periodically, making sure the flames are steady; not lifting or floating. If there is a problem, call a qualified service person.
5. The appliance and venting system must be inspected before use, and at least annually, by a qualified field service person, to ensure that the flow of combustion and ventilation air is not obstructed.

Note: Never operate the appliance without the glass properly secured in place.

6. Do not use this appliance if any part has been under water. Immediately call a qualified service technician to inspect the appliance and to replace any part of the control system and any gas control which has been under water.
7. In the event this appliance has been serviced check that the vent-air system has been properly resealed & reinstalled in accordance with the manufacturer's instructions.
8. Verify operation after servicing.

General Vent Maintenance

Conduct an inspection of the venting system semi-annually. Recommended areas to inspect as follows:

1. Check the Venting System for corrosion in areas that are exposed to the elements. These will appear as rust spots or streaks, and in extreme cases, holes. These components should be replaced immediately.
2. Remove the Cap, and shine a flashlight down the Vent. Remove any bird nests, or other foreign material.
3. Check for evidences of excessive condensation, such as water droplets forming in the inner liner, and subsequently dripping out the joints. Continuous condensation can cause corrosion

of caps, pipe, and fittings. It may be caused by having excessive lateral runs, too many elbows, and exterior portions of the system being exposed to cold weather.

4. Inspect joints, to verify that no pipe sections or fittings have been disturbed, and consequently loosened. Also check mechanical supports such as Wall Straps, or plumbers' tape for rigidity.

LOG REPLACEMENT

The unit should never be used with broken logs. Turn off the gas valve and allow the unit to cool before opening door and carefully remove the logs. (The pilot light generates enough heat to burn someone.) If for any reason a log should need replacement, you must use the proper replacement log. The position of these logs must be as shown in the Diagrams under Log Installation.

Note: Improper positioning of logs may create carbon build-up and will severely alter the unit's performance which is not covered under warranty.

GLASS GASKET

If the glass gasket requires replacement use a tadpole glass gasket (Part # 936-155).

DOOR GLASS

Your Regency® fireplace is supplied with high temperature 5mm-Ceramic glass. If your glass requires cleaning, we recommend using an approved glass cleaner available at all authorized dealers. Do not use abrasive materials.

CAUTION & WARNINGS:

- * Do not clean when the glass is hot.
- * The use of substitute glass will void all product warranties.
- * Care must be taken to avoid breakage of the glass.
- * Do not strike or abuse the glass.
- * Do not operate this fireplace without the glass front or with a cracked or broken glass front.
- * Wear gloves when removing damaged or broken glass.
- * Replacement of the glass panels should be done by a licensed or qualified service person.

GLASS REPLACEMENT

In the event that you break your glass by impact, purchase your replacement from an authorized Regency dealer only. Replacement glass (Part #940-357/P) is shipped already installed into the door frame. Reinstall as per Glass Door Installation in the "Glass Door Removal" section.

BULB REPLACEMENT

1. Follow steps 1- 4 from Optional Accent Light Install instructions.
2. Remove 2 screws to remove light diffuser.



3. Replace the bulb - do not touch bulb with bare hands, use gloves or bulb packaging to protect bulb.



4. Reverse steps.

REMOVING VALVE

1. Shut off the gas and electrical supply.
2. Remove the mesh barrier.
3. Open the flush door and remove the door.
4. Remove the logs.
5. Remove the burner/grate assembly by removing the 2 Phillips head screws.



Diagram 1: Remove the left and right screws.

6. Slide the burner assembly to the left to release it from the orifice, then lift it out.



Orifice

Diagram 2: Slide burner assembly to the left and then remove.

7. Remove the 2 screws securing the rear log tray and lift out. Diagram 3



Diagram 3

8. Disconnect the inlet gas line.
9. Disconnect the EV1, EV2, and ground wires from the valve - as shown below.

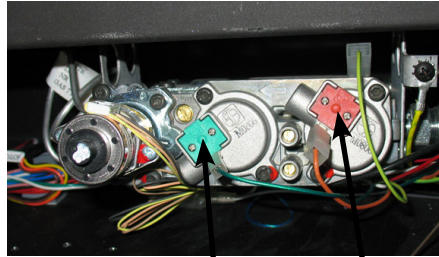


Diagram 4

EV1

EV2

10. Remove the 8 Phillips head screws securing the valve tray assembly in place (Diagram 5) and then lift the entire assembly out (Diagram 6).

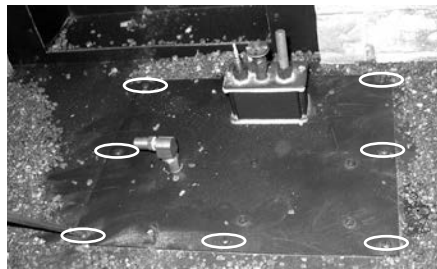


Diagram 5

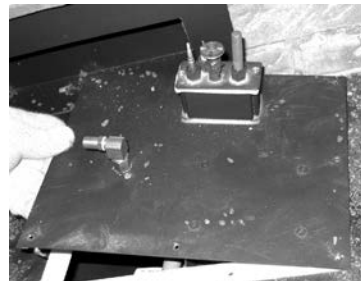


Diagram 6

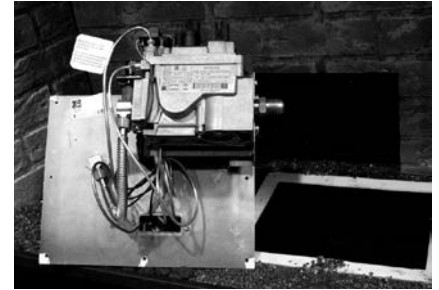


Diagram 8

INSTALLING VALVE

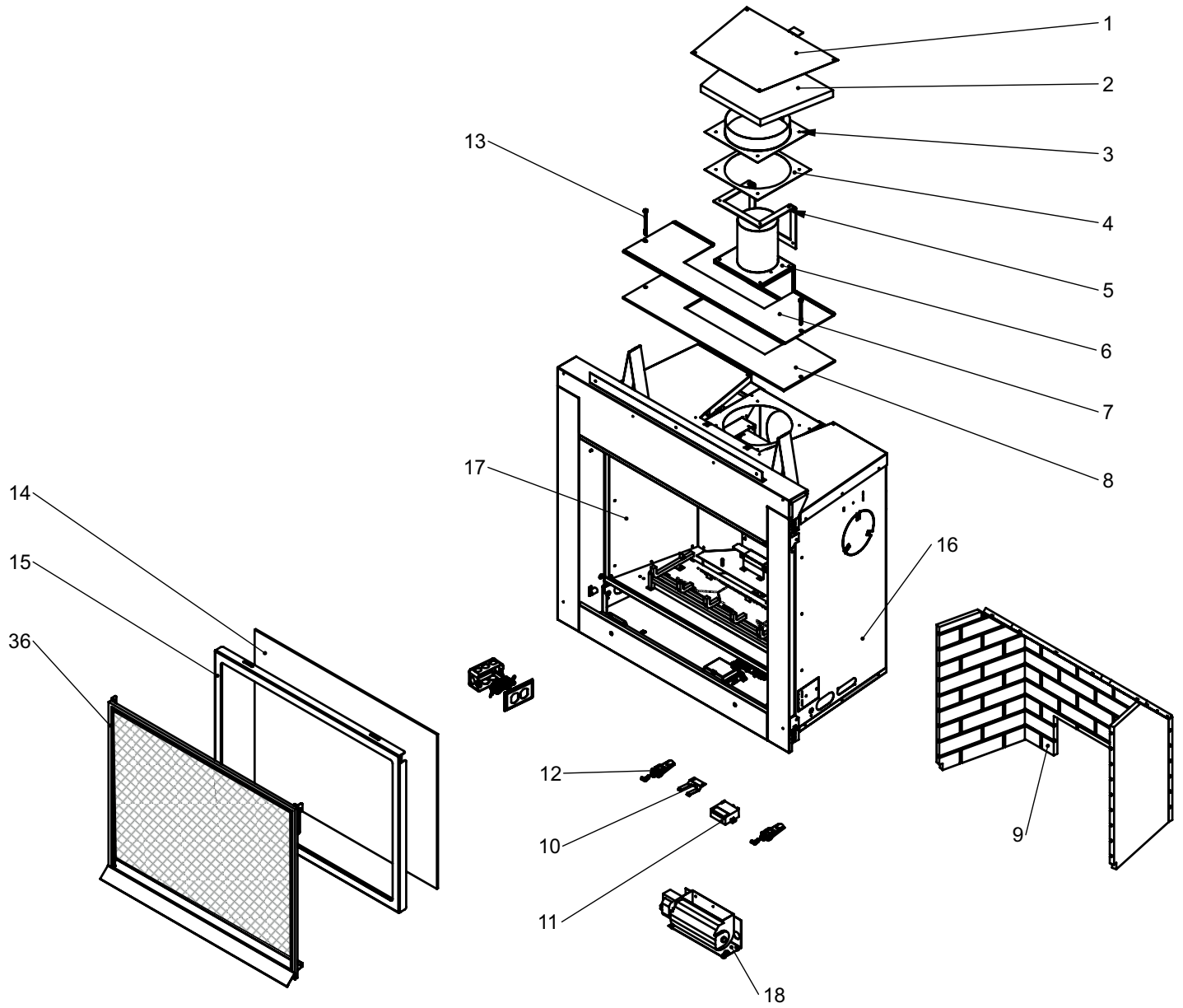
1. Place new valve tray into position
2. Reinstall the 8 hold down screws.
3. Hook up the 2 TP and 2 TH wires to the appropriate connections on the valve.
4. Reinstall the rear log tray.
5. Install burner/grate assembly
6. Hook up the gas line and check for gas leaks with a soap and water solution or a gas leak detector. (Do not use open flame for leak testing.)
7. Fire up the unit temporarily
8. Check the manifold pressure.
9. Reinstall the logs and brick panels as needed.
10. Reinstall the door and replace the louvers.
11. Fire up the unit again and check for proper flame appearance and glow on logs.

MAIN ASSEMBLY

Part #	Description	Part #	Description
1) 576-084F	Top Insulation Plate	18) 578-917	Fan Assembly
2) 576-099	Top Insulation	19) 910-215/P	Fan Motor (120 Volts)
3) 556-524	Flue Collar Outer Assembly	911-030	Fan Control Module
4) 556-095	Flue Collar Gasket	20) 911-159	Power Cord (120 Volts)
5) 556-097	Exhaust Gasket	23) 910-142	Thermodisc - Fan Auto ON/OFF
6) 556-513	Flue Collar Inner Assembly		
7) 556-088F	Top Relief Plate	24) 946-000	Round Duct Adaptor
8) 556-094	Relief Gasket - Door Top	25) 910-367	Box - Plastic Switch Receptacle
		26) 910-412	Fan Speed Controller
9) 576-901	Brick Panel - Standard Brown	27) 910-417	Knob - White
576-902	Brick Panel - Standard Red	28) 910-366	Switch Cover Plate - White
576-904	Brick Panel - Castle Stone	29) 946-006	Grill Plate - White
576-908	Black Enamel Panels	30) 946-005	Wall Adaptor Plate - White
		31) 946-002	Round to Oval Adaptor
10) 820-389	Thermodisc Bracket	32) 946-001	Oval Duct Adaptor
12) 948-165	Adjustable Tension Latch	33) 946-007	Angle Bracket
13) 904-731	Capscrew 1/4 - 20 x 3.5 NC Gr5	34) 946-517/P	Fan Assembly - Heat Wave
		35) 946-004	Junction Box
14) 940-382/P	Ceramic Glass	36) 579-529	Mesh Guard Assembly
15) 556-012	Door Frame		
16) *	Outerbox Assembly	37) 919-388	Manual
17) *	Firebox Assembly		

* Not available as a replacement part.

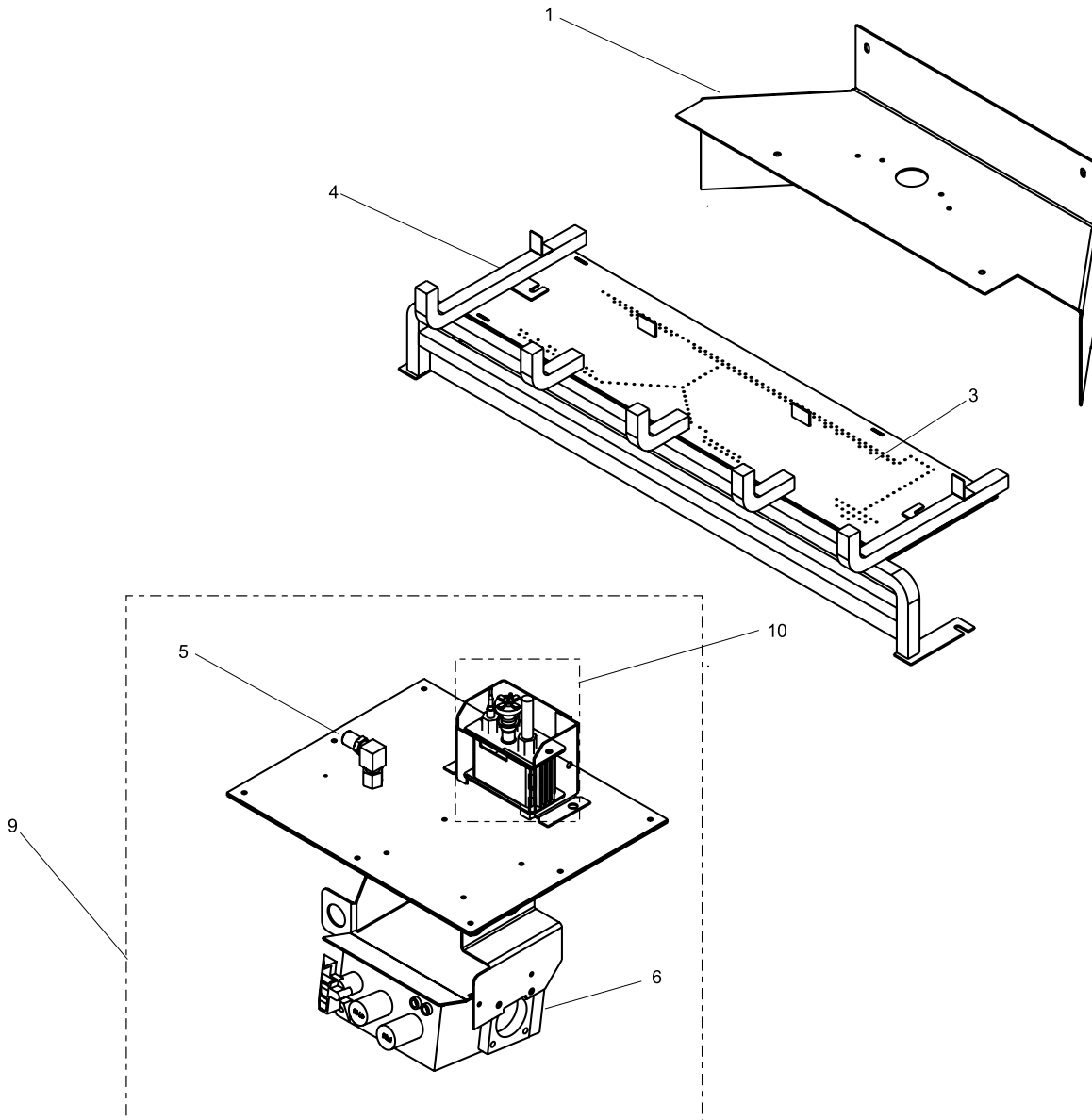
MAIN ASSEMBLY



BURNER ASSEMBLY

Part #	Description	Part #	Description
1) 576-077	Rear Log Tray	9) 576-574E/P	Valve Assembly - NG
3) 576-525	B36XTCE Burner Assembly	576-576E/P	Valve Assembly - LP
4) 576-057	B36XTCE Grate Assembly	10) 911-006	Pilot Assembly - NG
5) 904-644	Orifice # 35 NG	911-007	Pilot Assembly - LP
904-645	Orifice # 51 LP	911-012	Ignition Board (DBC)
6) 911-084	Valve NG	911-013	Wiring Harness -Switch
911-085	Valve LP	911-018	Battery Holder
		911-037	Flame Sensor
		911-038	Flame Electrode
		911-039	Pilot Hood
		910-432	Pilot Tube
		911-032	Remote Wiring Harness
		* 578-930	Log Set Complete

* Not shown here



Limited Lifetime Warranty

FPI Fireplace Products International Ltd. (for Canadian customers) and Fireplace Products U.S., Inc. (for U.S. customers) (collectively referred to herein as “FPI”) extends this Limited Lifetime Warranty to the original purchaser of this appliance provided the product remains in the original place of installation. The items covered by this limited warranty and the period of such coverage is set forth in the table below.

Some conditions apply (see below).

The policy is not transferable, amendable or negotiable under any circumstances.

Indoor Gas Products Warranty Coverage Parts and Labor	Part				Supplier	Labor Coverage
	Lifetime	5 years	2 years	1 year	Warranty	(Years)
Firebox and Heat Exchanger	✓					3
Steel Burner Tube	✓					3
Glass Thermal breakage only	✓					3
All Surrounds/Inlays Finishes		✓				3
Brick Panels/Log sets/Ceramic Burners		✓				3
All Castings		✓				3
Valve assembly and all gas control components, (Pilot assembly, flame sensors, Spark Electrode, Pilot Tubing, Orifices, Thermocouple, Thermopile)			✓			2
All Other Electrical components, (Ignition Control Boards, Wiring, Switches, Blowers, Blower Control Module, Battery Pack, Remote Control Systems)			✓			2
Enamel Panels			✓			1
Venting/Venting Components			✓			1
All Stainless steel surrounds				✓		1
All Firebox Media (Crystals, Firebeads, Volcanic, Ceramic & Spa Stones)				✓		1
All hardware				✓		1
Mesh/Glass Safety Barriers				✓		1
Accent Light Bulbs				✓		1
Glass (Crazing)				✓		1

Conditions:

Warranty protects against defect in manufacture or FPI factory assembled components only, unless herein specified otherwise.

Any part(s) found to be defective during the warranty period as outlined above will be repaired or replaced at FPI’s option through an accredited distributor, dealer or pre-approved and assigned agent provided that the defective part is returned to the distributor, dealer or agent for inspection if requested by FPI. Alternatively, FPI may at its own discretion fully discharge all of its obligations under the warranty by refunding the verified purchase price of the product to the original purchaser. The purchase price must be confirmed by the original Bill of Sale.

The authorized selling dealer, or an alternative authorized FPI dealer if pre-approved by FPI, is responsible for all in-field diagnosis and service work related to all warranty claims. FPI is not responsible for results or costs of workmanship of unauthorized FPI dealers or agents in the negligence of their service work.

At all times FPI reserves the right to inspect reported complaints on location in the field claimed to be defective prior to processing or authorizing of any claim. Failure to allow this upon request will void the warranty.

All warranty claims must be submitted by the dealer servicing the claim, including a copy of the Bill of Sale (proof of purchase by you). All claims must be complete and provide full details as requested by FPI to receive consideration for evaluation. Incomplete claims may be rejected.

Unit must be installed according to all manufacturers' instructions as per the manual.

All Local and National required codes must be met.

The installer is responsible to ensure the unit is operating as designed at the time of installation.

The original purchaser is responsible for annual maintenance of the unit, as outlined in the owner's manual. As outlined below, the warranty may be voided due to problems caused by lack of maintenance.

Repair/replacement parts purchased by the consumer from FPI after the original coverage has expired on the unit will carry a 90 day warranty, valid with a receipt only. Any item shown to be defective will be repaired or replaced at our discretion. No labor coverage is included with these parts

Exclusions:

This Limited Lifetime Warranty does not extend to paint, rust or corrosion of any kind due to a lack of maintenance or improper venting, combustion air provision, corrosive chemicals (i.e. chlorine, salt, air, etc.), door or glass gasketing.

Malfunction, damage or performance based issues as a result of environmental conditions, location, chemical damages, downdrafts, installation error, installation by an unqualified installer, incorrect chimney components (including but not limited to cap size or type), operator error, abuse, misuse, use of improper fuels, lack of regular maintenance and upkeep, acts of God, weather related problems from hurricanes, tornados, earthquakes, floods, lightning strikes/bolts or acts of terrorism or war, which result in malfunction of the appliance are not covered under the terms of this Limited Lifetime Warranty.

FPI has no obligation to enhance or modify any unit once manufactured (i.e. as products evolve, field modifications or upgrades will not be performed on existing appliances).

This warranty does not cover dealer travel costs for diagnostic or service work. All labor rates paid to authorized dealers are subsidized, pre-determined rates. Dealers may charge homeowner for travel and additional time beyond their subsidy.

Any unit showing signs of neglect or misuse will not be covered under the terms of this warranty policy and may void this warranty. This includes units with rusted or corroded fireboxes which have not been reported as rusted or corroded within three (3) months of installation/purchase.

Units which show evidence of being operated while damaged, or with problems known to the purchaser and causing further damages will void this warranty.

Units where the serial no. has been altered, deleted, removed or made illegible will void this warranty.

Minor movement, expansion and contraction of the steel is normal and is not covered under the terms of this warranty.

Freight damages for products or parts are not covered under the terms of the warranty.

Products made or provided by other manufacturers and used in conjunction with the FPI appliance without prior authorization from FPI may void this warranty.

Limitations of Liability:

The original purchaser's exclusive remedy under this warranty, and FPI's sole obligation under this warranty, express or implied, in contract or in tort, shall be limited to replacement, repair, or refund, as outlined above. IN NO EVENT WILL FPI BE LIABLE UNDER THIS WARRANTY FOR ANY INCIDENTAL OR CONSEQUENTIAL COMMERCIAL DAMAGES OR DAMAGES TO PROPERTY. TO THE EXTENT PERMITTED BY APPLICABLE LAW, FPI MAKES NO EXPRESS WARRANTIES OTHER THAN THE WARRANTY SPECIFIED HEREIN. THE DURATION OF ANY IMPLIED WARRANTY IS LIMITED TO DURATION OF THE EXPRESSED WARRANTY SPECIFIED ABOVE. IF IMPLIED WARRANTIES CANNOT BE DISCLAIMED, THEN SUCH WARRANTIES ARE LIMITED IN DURATION TO THE DURATION OF THIS WARRANTY.

Some U.S. states do not allow limitations on how long an implied warranty lasts, or allow exclusion or limitation of incidental or consequential damages, so the above limitations or exclusions may not apply to you.

Customers located outside the U.S. should consult their local, provincial or national legal codes for additional terms which may be applicable to this warranty.

How to Obtain Warranty Service:

Customers should contact the authorized selling dealer to obtain warranty service. In the event the authorized selling dealer is unable to provide warranty service, please contact FPI by mail at the address listed below. Please include a brief description of the problem and your address, email and telephone contact information. A representative will contact you to make arrangements for an inspection and/or warranty service.

Canadian Warrantor:

FPI Fireplace Products International Ltd.
6988 Venture St.
Delta, British Columbia
Canada, V4G 1H4

U.S. Warrantor:

Fireplace Products U.S., Inc.
PO Box 2189 PMB 125
Blaine, WA
United States, 98231

Or contact the Regency Customer Care Centre at 1-800-442-7432 (phone) / 604-946-4349 (fax)

Product Registration and Customer Support:

Thank you for choosing a Regency Fireplace. Regency strives to be a world leader in the design, manufacture, and marketing of hearth products. To provide the best support for your product, we request that you complete a product registration form at <http://www.regency-fire.com/Customer-Care/Warranty-Registration.aspx> within ninety (90) days of purchase.



Product Registration and Customer Support:

Thank you for choosing a Regency Fireplace. Regency strives to be a world leader in the design, manufacture, and marketing of hearth products. To provide the best support for your product, we request that you complete a product registration form found on our Web Site under Customer Care within ninety (90) days of purchase.

For purchases made in **CANADA or the UNITED STATES:**

<http://www.regency-fire.com/Customer-Care/Warranty-Registration.aspx>

For purchases made in **AUSTRALIA:**

<http://www.regency-fire.com.au/Customer-Care/Warranty-Registration.aspx>

You may also complete the warranty registration form below to register your Regency Fireplace Product and mail and/or fax it back to us, and we will register the warranty for you. It is important you provide us with all the information below in order for us to serve you better.

Warranty Registration Form (or Register online immediately at the above Web Site):

Warranty Details	
Serial Number (required):	
Purchase Date (required) (mm/dd/yyyy):	
Product Details	
Product Model (required):	
Dealer Details	
Dealer Name (required):	
Dealer Address:	
Dealer Phone #:	
Installer:	
Date Installed (mm/dd/yyyy):	
Your Contact Details (required)	
Name:	
Address:	
Phone:	
Email:	

For purchases made in **CANADA:**

FPI Fireplace Products International Ltd.
6988 Venture St.
Delta, British Columbia
Canada, V4G 1H4

Phone: 604-946-5155
Fax: 604-946-4349

For purchases made in the **UNITED STATES:**

Fireplace Products U.S., Inc.
PO Box 2189 PMB 125
Blaine, WA
United States, 98231

Phone: 604-946-5155
Fax: 604-946-4349

For purchases made in **AUSTRALIA:**

Fireplace Products Australia Pty Ltd
1- 3 Conquest Way
Hallam, VIC
Australia, 3803

Phone: +61 3 9799 7277
Fax: +61 3 9799 7822

For fireplace care and tips and answers to most common questions please visit our Customer Care section on our Web Site. Please feel free to contact your selling dealer if you have any questions about your Regency product.



*Bellavista
B36XTCE*

Installer: Please complete the following information

Dealer Name & Address: _____

Installer: _____

Phone #: _____

Date Installed: _____

Serial No.: _____