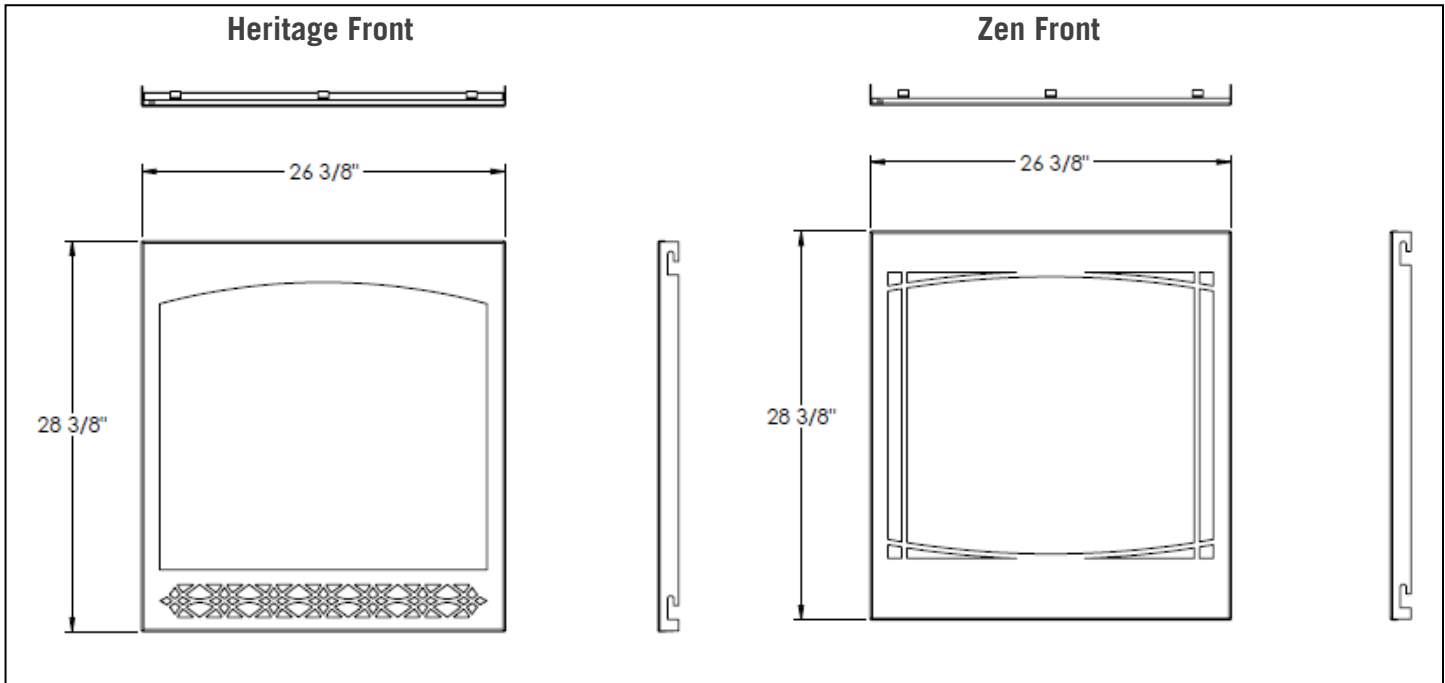


Specifications

| Model | BTU | Width | | Height | | Depth | | Glass |
|-------|--------|--------|---------|--------|---------|--------|---------|---------------------|
| | | Actual | Framing | Actual | Framing | Actual | Framing | |
| B30 | 15,000 | 30 | 30 1/2 | 34 5/8 | 35 | 14 | 14 1/2 | 23 11/16 X 25 11/16 |

Front Options



Minimum Framing Clearances

Minimum clearance to combustible construction from appliance and vent surfaces:

Combustible Framing:

- 0" to stand-offs
- 1" (25mm) to bottom and sides of the vent pipe*
- 3" (76mm) to top of the vent pipe*

Combustible Finishing:

- 0" to rear
- 0" to front face top and sides

Top Exit

- 50 1/2" (1283mm) to combustible enclosure top from base of the appliance
- 54" (1372mm) to ceiling from base of the appliance

Rear Exit

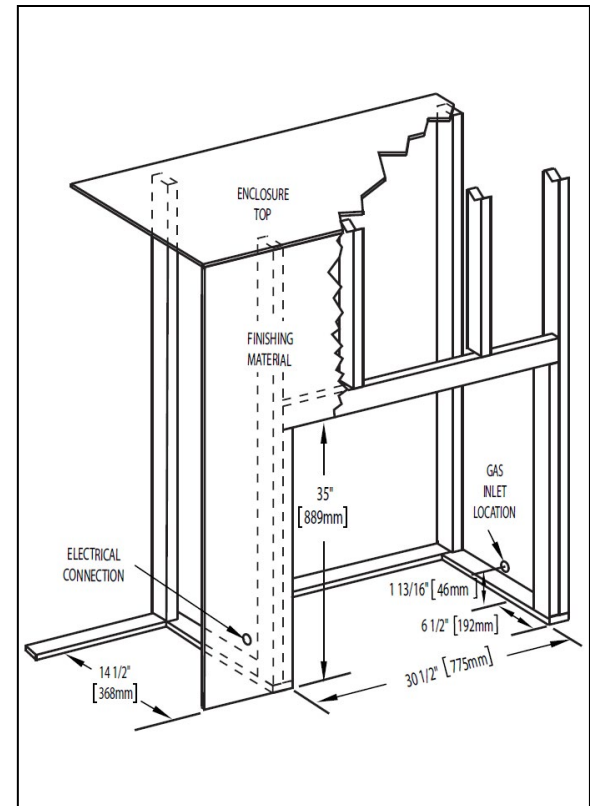
- 41 5/8" (1057mm) to combustible enclosure top from base of the appliance
- 54" (1372mm) to ceiling from base of the appliance

*** HORIZONTAL VENT SECTIONS:** A minimum of 1" (25mm) at the bottom and sides and 3" (76mm) at the top of the vent pipe on all horizontal runs to combustibles is required. Use firestop spacer W010-1777 (supplied).

NOTE: The minimum clearances from the top of the horizontal vent pipe to combustible materials may be reduced from 3" (76mm) to 1" (25mm) in those installations with a minimum 38" (965mm) vertical vent rise made immediately off the fireplace collar.

*** VERTICAL VENT SECTIONS:** A minimum of 1" (25mm) all around the vent pipe on all vertical runs to combustibles is required except for clearances in appliance enclosures. See "MINIMUM ENCLOSURE CLEARANCES" section. Use firestop spacer W500-0096 (not supplied).

Minimum Framing Clearances

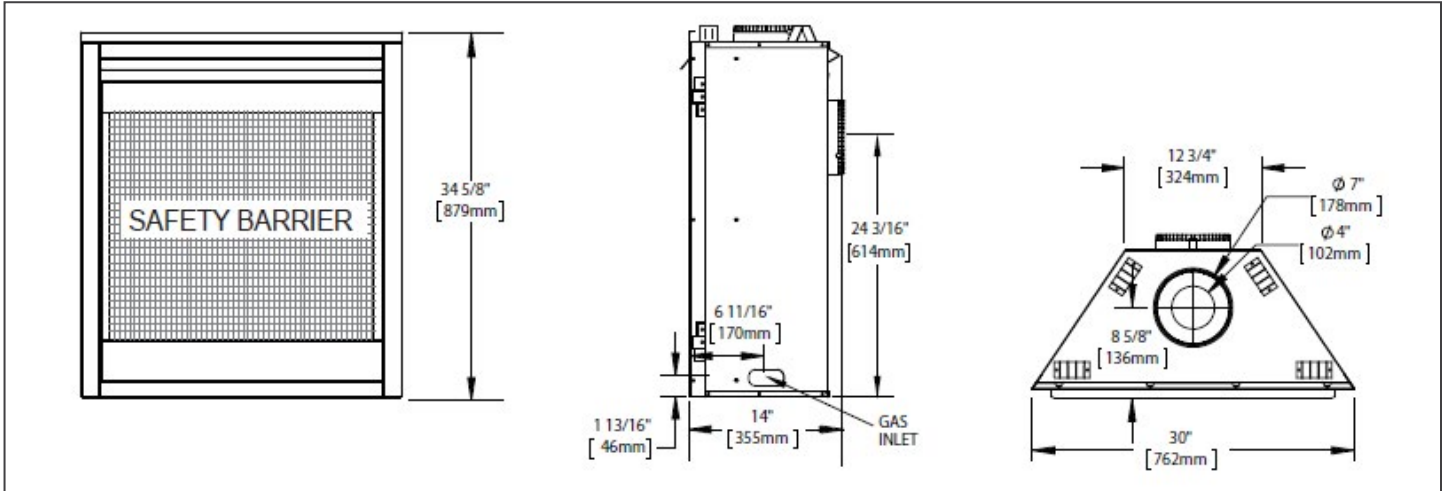


ASCENT™ 30 DIRECT VENT GAS FIREPLACE

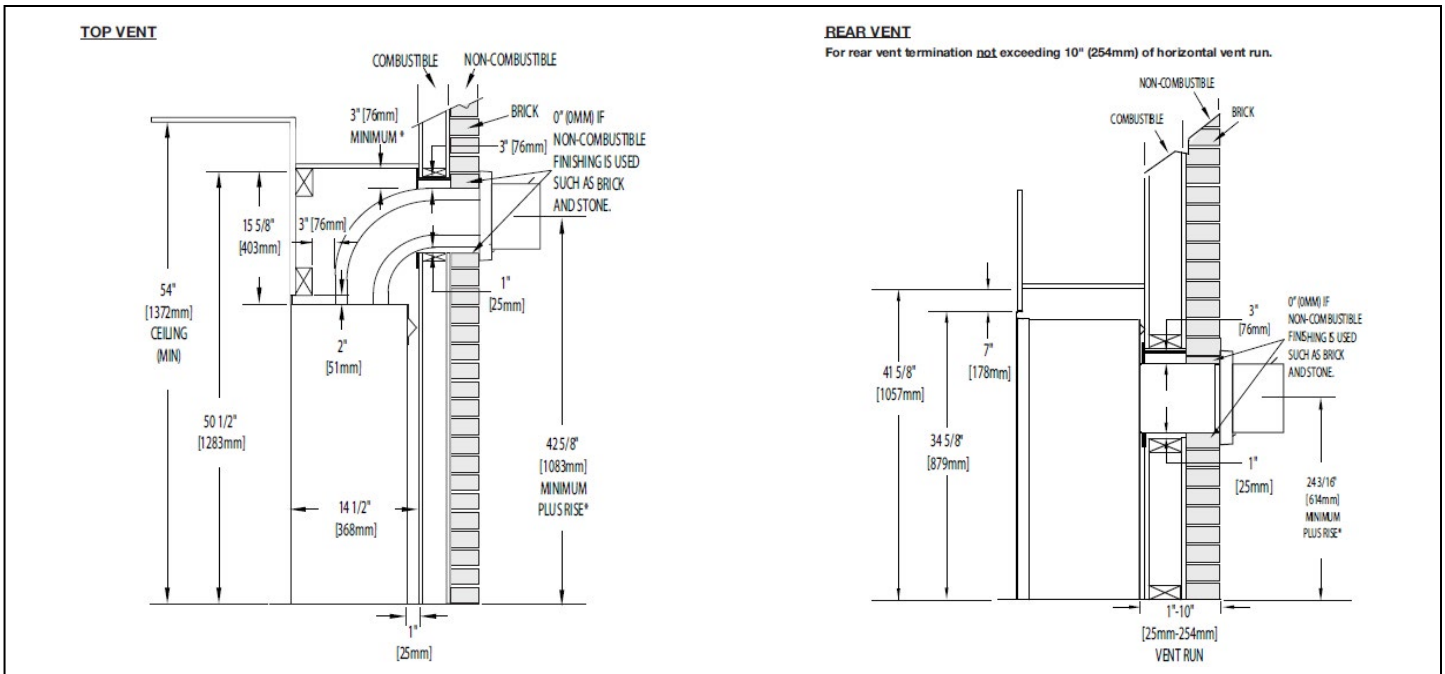


Product information provided is not complete and is subject to change without notice. Please consult the installation manual for the most up to date installation information.

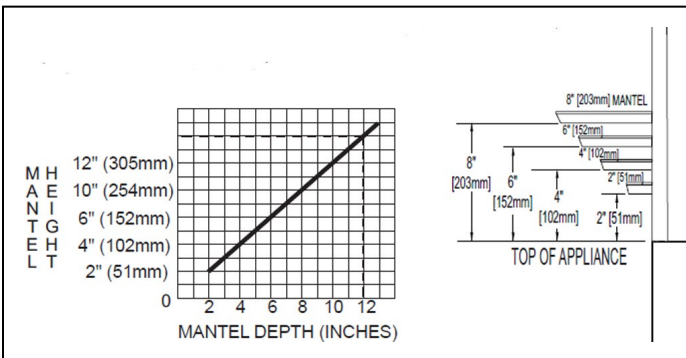
Dimensions



Wall Penetration



Combustible Mantel Clearances



Appliance Location

